

## SIRI-DOME

~145° wide beam

### SPECIFICATION:

Dimensions	13.9 x 13.9 mm
Height	4.9 mm
Fastening	glue, pin
ROHS compliant	yes ⓘ

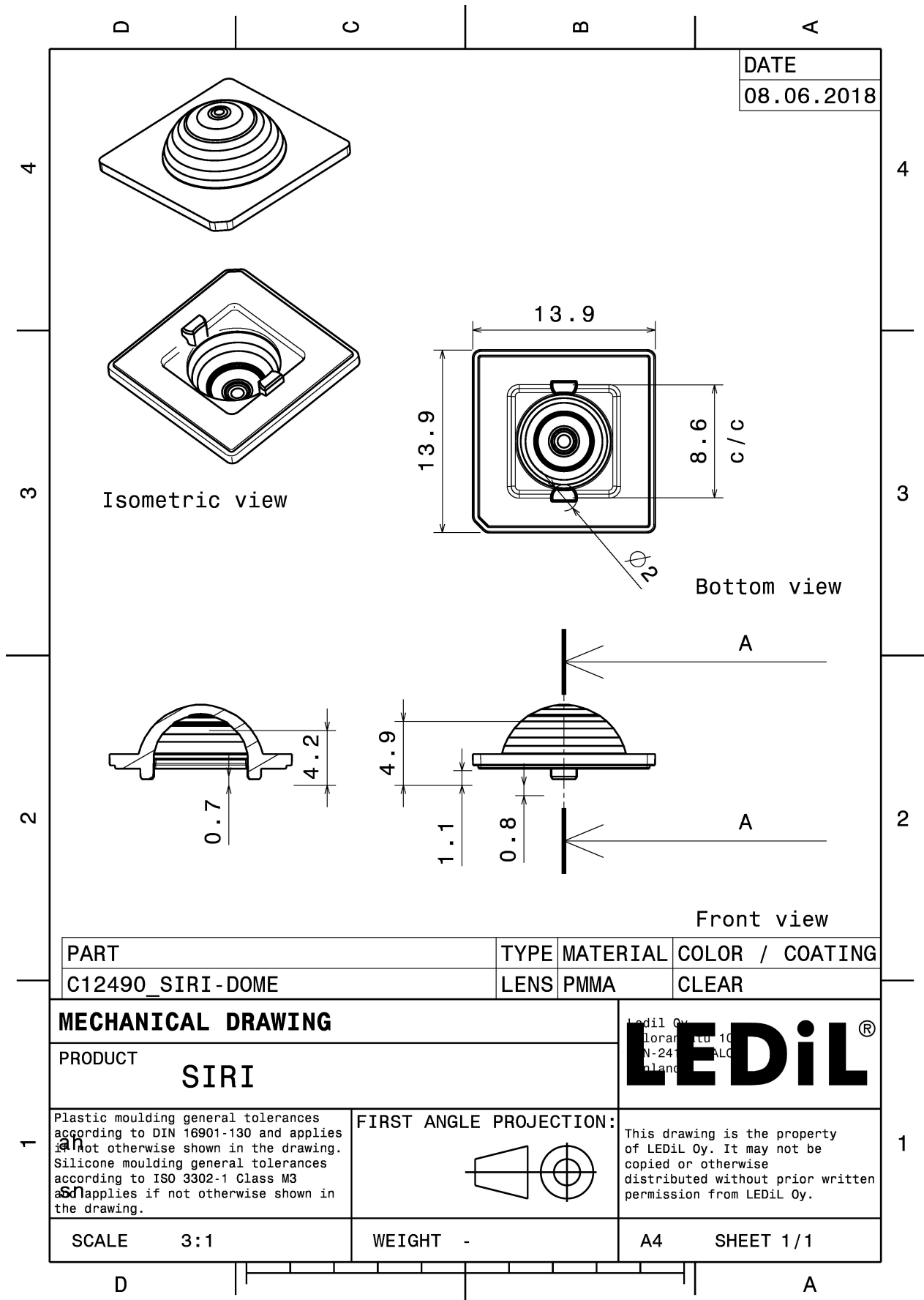


### MATERIALS:

Component	Type	Material	Colour	Finish
SIRI-DOME	Single lens	PMMA	clear	

### ORDERING INFORMATION:

Component	Qty in box	MOQ	MPQ	Box weight (kg)
C12490_SIRI-DOME » Box size: 300 x 250 x 250 mm	4560	240	240	0.0



DATE
08.06.2018

PART	TYPE	MATERIAL	COLOR / COATING
C12490_SIRI-DOME	LENS	PMMA	CLEAR

<b>MECHANICAL DRAWING</b>		
PRODUCT	<b>SIRI</b>	

Plastic moulding general tolerances according to DIN 16901-130 and applies if not otherwise shown in the drawing. Silicone moulding general tolerances according to ISO 3302-1 Class M3 and applies if not otherwise shown in the drawing.	<b>FIRST ANGLE PROJECTION:</b> 	This drawing is the property of LEDiL Oy. It may not be copied or otherwise distributed without prior written permission from LEDiL Oy.
---	------------------------------------	---

SCALE	3:1	WEIGHT	-	A4	SHEET 1/1
-------	-----	--------	---	----	-----------

See also our general installation guide: [www.ledil.com/installation\\_guide](http://www.ledil.com/installation_guide)

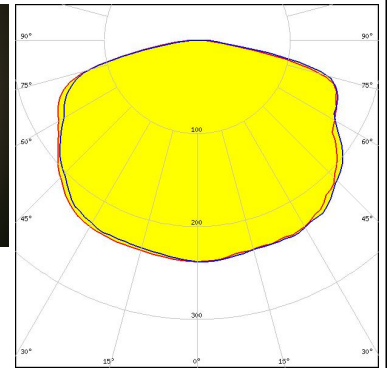
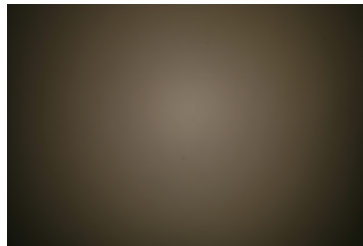
### OPTICAL RESULTS (MEASURED):



LED XM-L  
FWHM / FWTM 148.0° / 168.0°  
Efficiency 94 %  
Peak intensity 0.3 cd/lm  
LEDs/each optic 1  
Light colour White  
Required components:



LED XM-L2  
FWHM / FWTM 152.0° / 170.0°  
Efficiency 94 %  
Peak intensity 0.2 cd/lm  
LEDs/each optic 1  
Light colour White  
Required components:



LED XP-G2  
FWHM / FWTM 140.0° / 168.0°  
Efficiency 94 %  
Peak intensity 0.3 cd/lm  
LEDs/each optic 1  
Light colour White  
Required components:



LED LUXEON A  
FWHM / FWTM 142.0° / 168.0°  
Efficiency 94 %  
Peak intensity 0.3 cd/lm  
LEDs/each optic 1  
Light colour White  
Required components:

### OPTICAL RESULTS (MEASURED):



LED	NVSxx19B/NVSxx19C
FWHM / FWTM	154.0° / 180.0°
Efficiency	94 %
Peak intensity	0.2 cd/lm
LEDs/each optic	1
Light colour	White
Required components:	

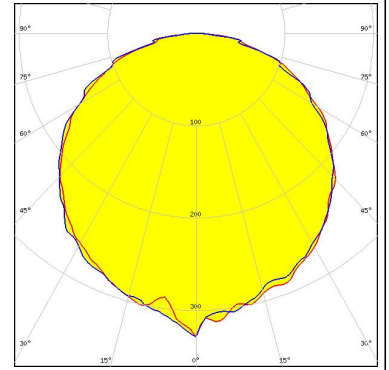


LED	OSLON Square EC
FWHM / FWTM	124.0° / 165.0°
Efficiency	94 %
Peak intensity	0.3 cd/lm
LEDs/each optic	1
Light colour	White
Required components:	

### OPTICAL RESULTS (SIMULATED):



LED J Series 2835  
FWHM / FWTM 117.0° / 168.0°  
Efficiency 96 %  
Peak intensity 0.3 cd/lm  
LEDs/each optic 1  
Light colour White  
Required components:



LED OSCONIQ P 3737 (3W version)  
FWHM / FWTM 120.0° / 176.0°  
Efficiency 95 %  
Peak intensity 0.3 cd/lm  
LEDs/each optic 1  
Light colour White  
Required components:

