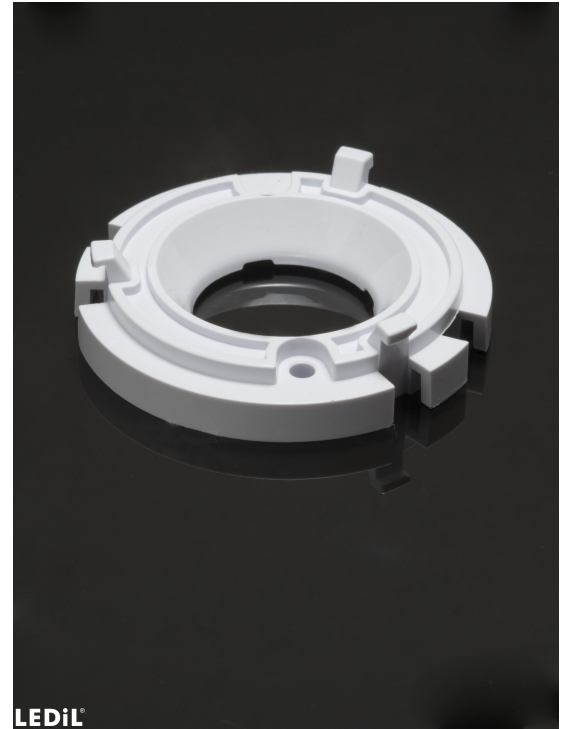


LENA-STD-BASE-CLL040

Basepart for LENA and LENINA reflectors.
Compatible with Citizen CLL04x and CLU04x.

SPECIFICATION:

Dimensions	Ø 58.6 mm
Height	13.5 mm
Fastening	screw
ROHS compliant	yes ⓘ

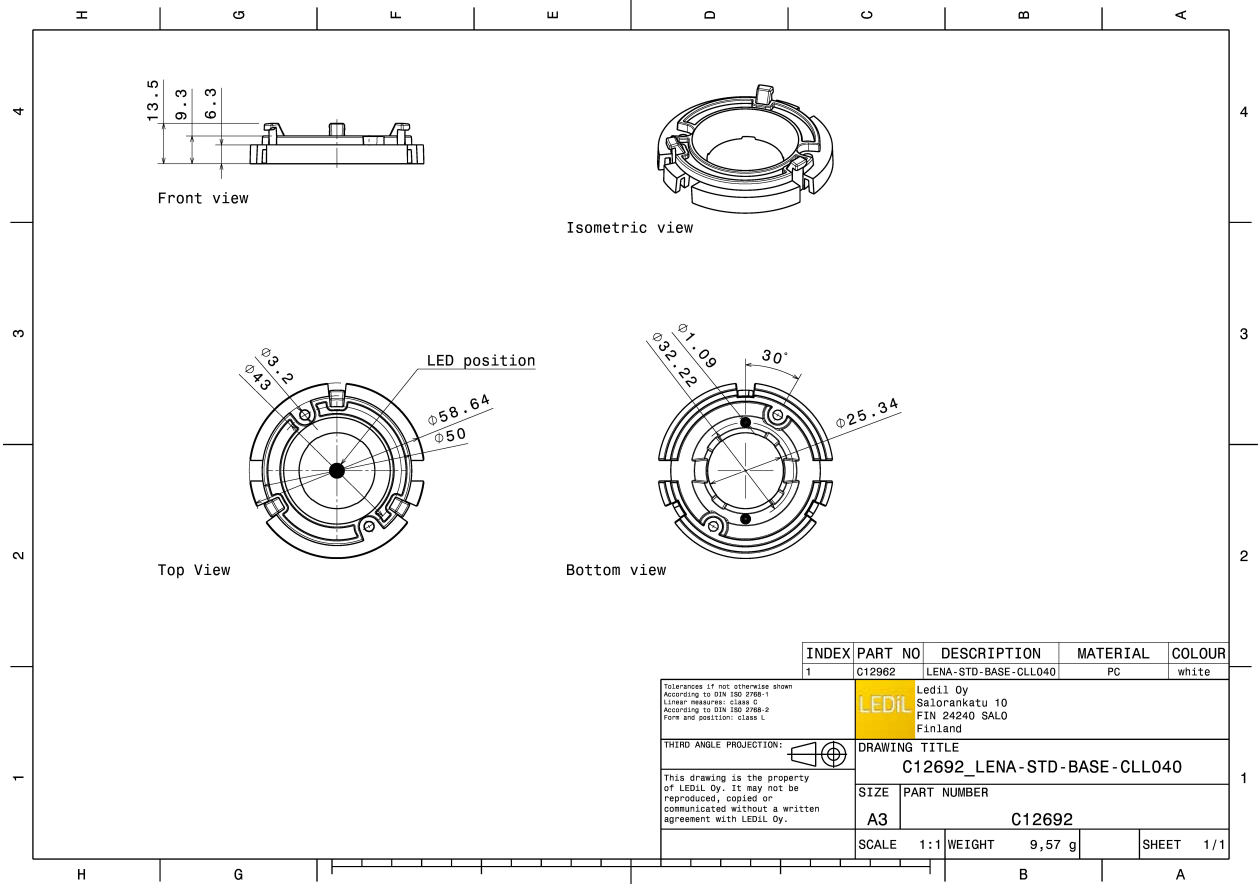


MATERIALS:

Component	Type	Material	Colour	Finish
LENA-STD-BASE-CLL040	Base part	PC	white	

ORDERING INFORMATION:

Component	Qty in box	MOQ	MPQ	Box weight (kg)
C12692_LENA-STD-BASE-CLL040 » Box size: 380 x 240 x 120 mm	60	60	60	1.0



See also our general installation guide: www.ledil.com/installation_guide