

## MIRA-M

~30° medium beam with holder optimized for  
CREE CXA1507

### SPECIFICATION:

Dimensions	Ø 34.2 mm
Height	16.2 mm
Fastening	screw
ROHS compliant	yes ⓘ



### MATERIALS:

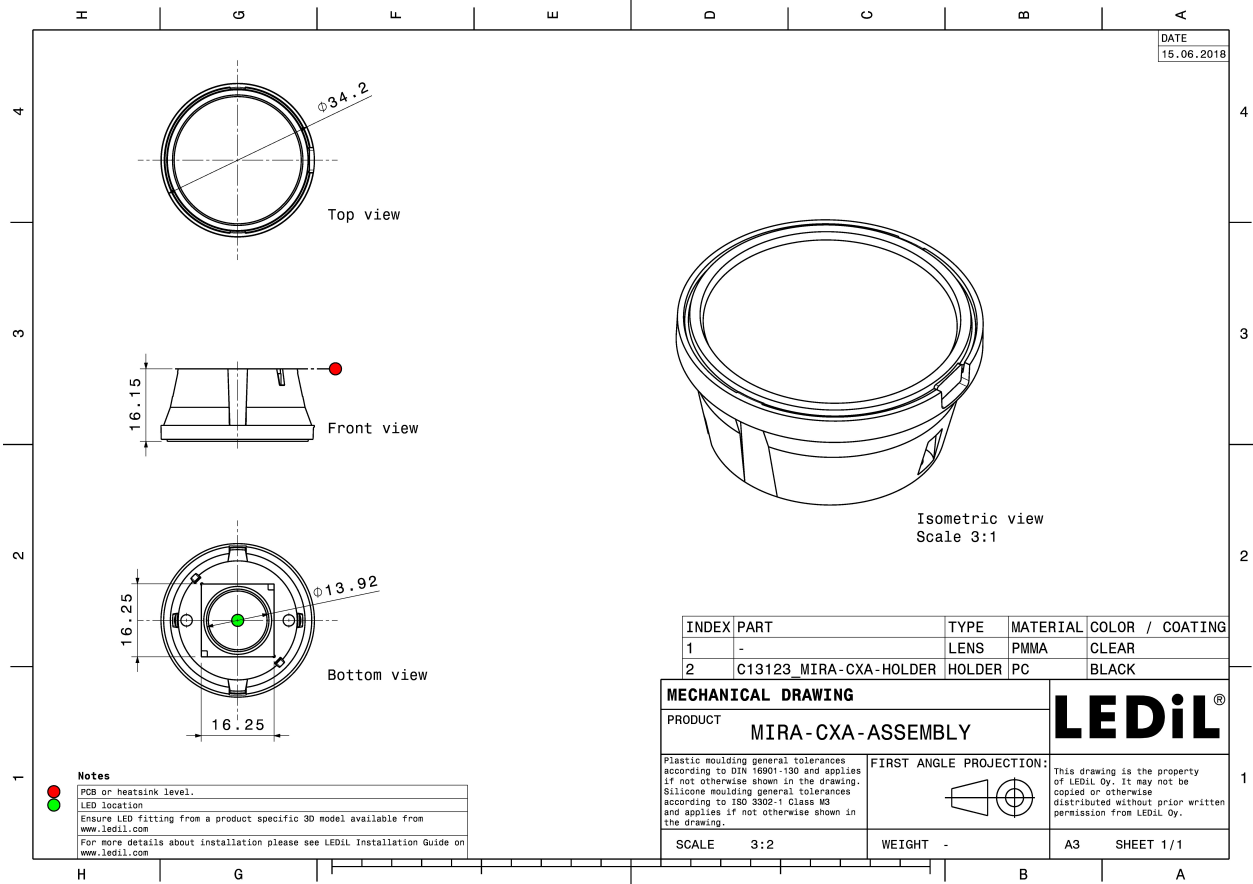
Component	Type	Material	Colour	Finish
C12500_MIRA-M	Single lens	PC	clear	
C13123_MIRA-CXA-HOLDER	Holder	PC	black	

### ORDERING INFORMATION:

#### Quantities for one set:

Single lens	1
Holder	1

Component		Qty in box	MOQ	MPQ	Box weight (kg)
C12500_MIRA-M	Single lens	840	120	60	7.3
» Box size: 480 x 280 x 300 mm					
C13123_MIRA-CXA-HOLDER	Holder	840	120	60	4.1
» Box size: 476 x 273 x 292 mm					

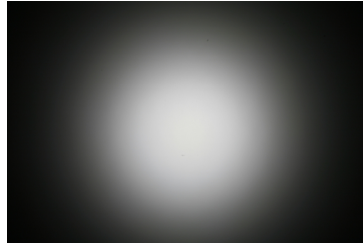


See also our general installation guide: [www.ledil.com/installation\\_guide](http://www.ledil.com/installation_guide)

### OPTICAL RESULTS (MEASURED):

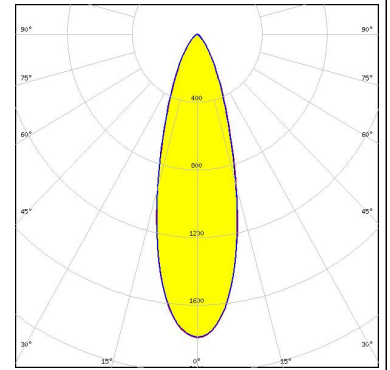
bridgelux

LED V10 Gen6  
FWHM / FWTM 35.0° / 72.0°  
Efficiency 77 %  
Peak intensity 1.8 cd/lm  
LEDs/each optic 1  
Light colour White  
Required components:



CREE  
LEDs

LED CXA/B 15xx  
FWHM / FWTM 31.0° / 66.0°  
Efficiency 75 %  
Peak intensity 1.8 cd/lm  
LEDs/each optic 1  
Light colour White  
Required components:

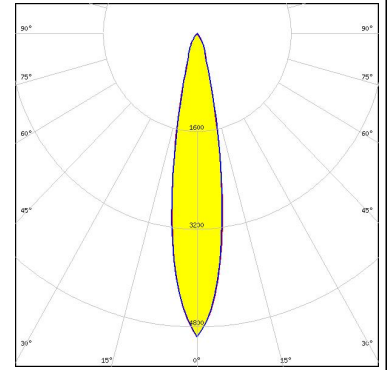


### OPTICAL RESULTS (SIMULATED):

#### OSRAM

Opto Semiconductors

LED OSCONIQ P 7070  
 FWHM / FWTM 19.0° / 39.0°  
 Efficiency 83 %  
 Peak intensity 5 cd/lm  
 LEDs/each optic 1  
 Light colour White  
 Required components:



#### OSRAM

Opto Semiconductors

LED SFH 4717AS  
 FWHM / FWTM 13.0° / 46.0°  
 Efficiency 80 %  
 LEDs/each optic 1  
 Light colour IR  
 Required components:

