

CLAMP-VERO29

Basepart for reflectors and lenses with A-type interface. Compatible with Bridgelux VERO29.

TECHNICAL SPECIFICATIONS:

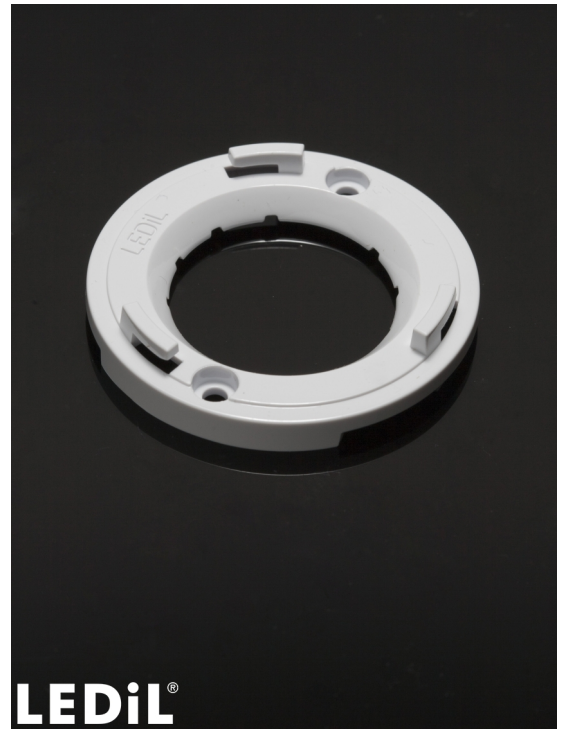
Dimensions	Ø 53.0 mm
Height	5.5 mm
Fastening	screw
ROHS compliant	yes ⓘ

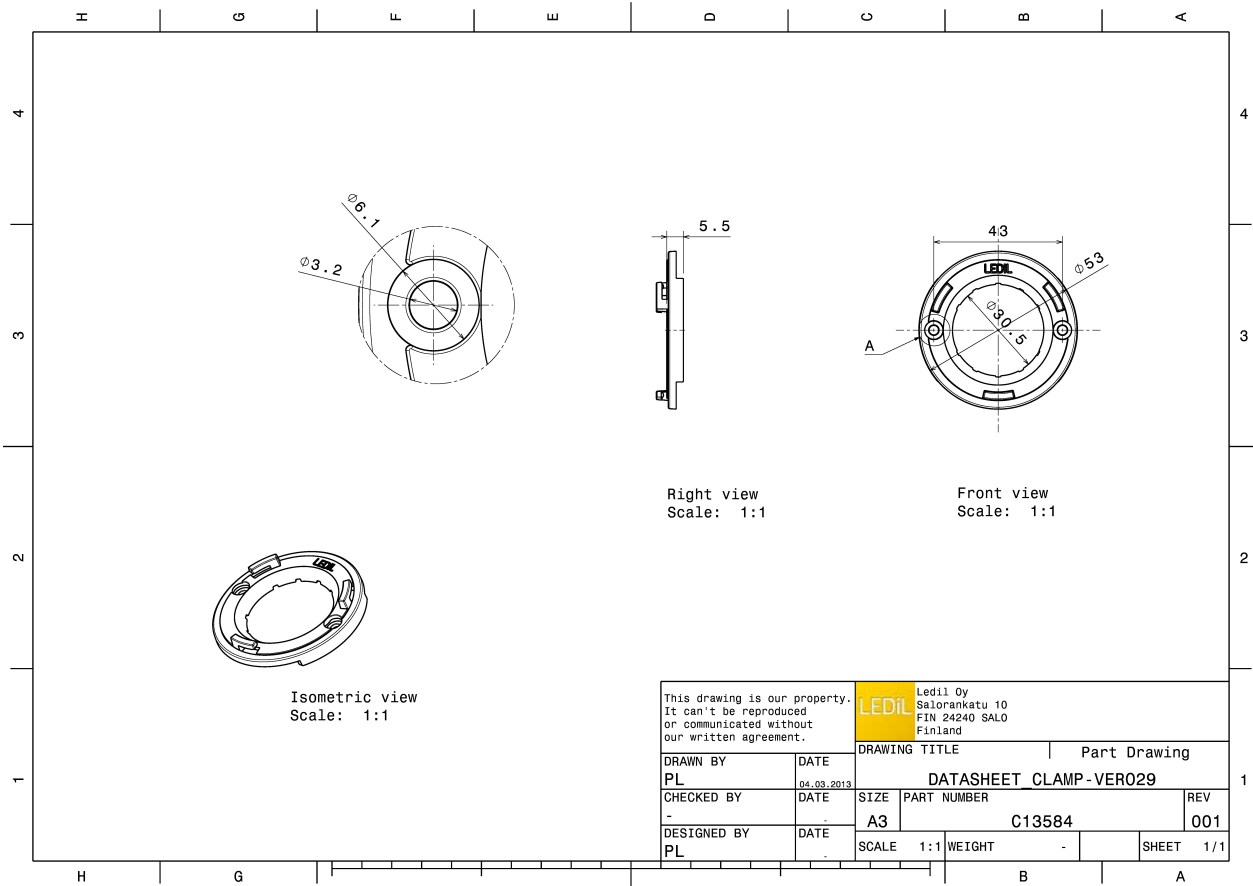
MATERIAL SPECIFICATIONS:

Component	Type	Material	Colour	Finish
CLAMP-VERO29	Base part	PC	white	

ORDERING INFORMATION:

Component	Qty in box	MOQ	MPQ	Box weight (kg)
C13584_CLAMP-VERO29	240	60	10	1.4
» Box size:				





See also our general installation guide: www.ledil.com/installation_guide