

CUTE-3-WW

~60° wide beam with 1.5 mm high location pins.
Optimized for CREE XR-E.

SPECIFICATION:

Dimensions	Ø 35.0 mm
Height	15 mm
Fastening	pin
ROHS compliant	yes ⓘ

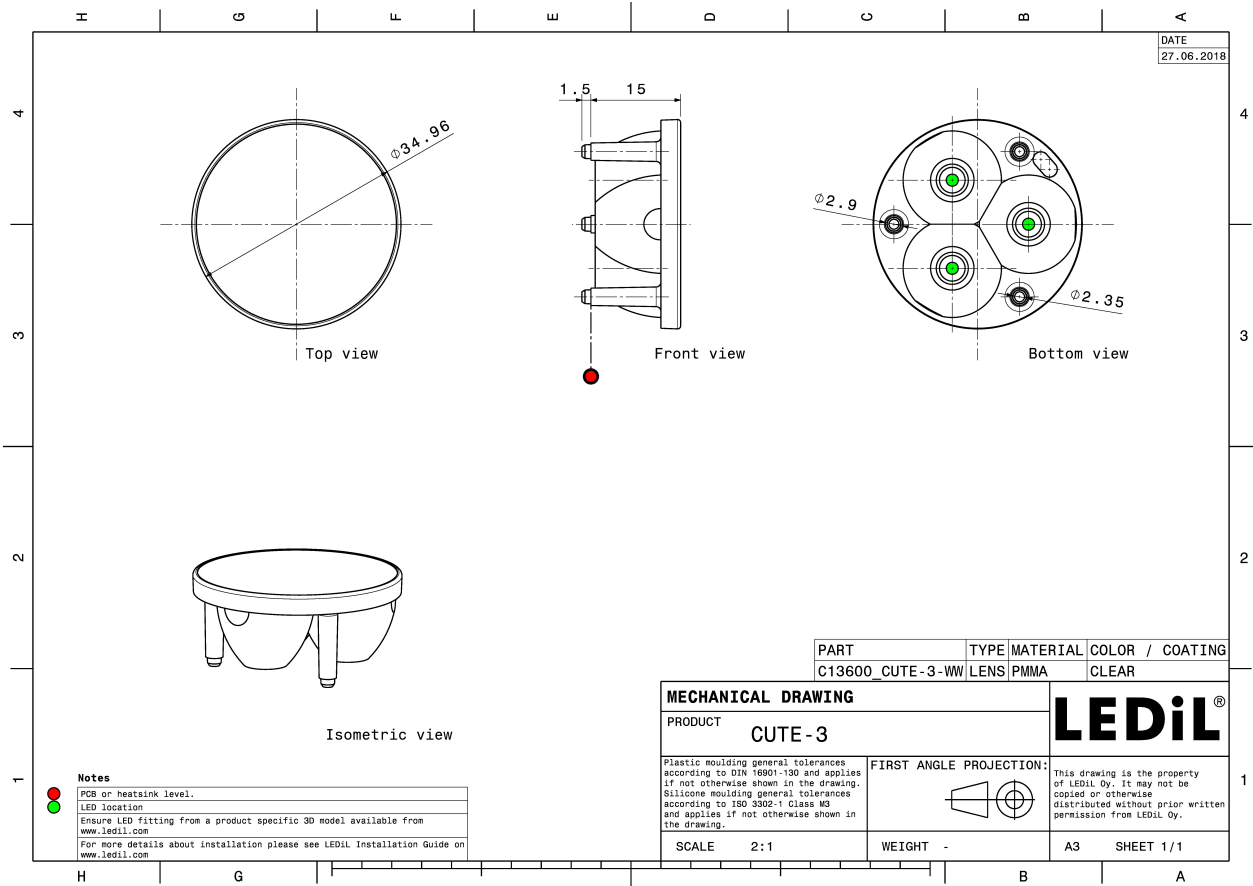
MATERIALS:

Component	Type	Material	Colour	Finish
CUTE-3-WW	Multi-lens	PMMA	clear	

ORDERING INFORMATION:

Component	Qty in box	MOQ	MPQ	Box weight (kg)
C13600_CUTE-3-WW » Box size: 480 x 280 x 300 mm	630	90	45	6.7



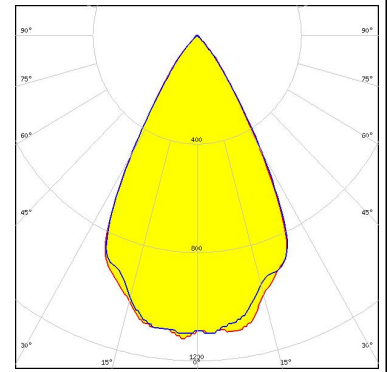


See also our general installation guide: www.ledil.com/installation_guide

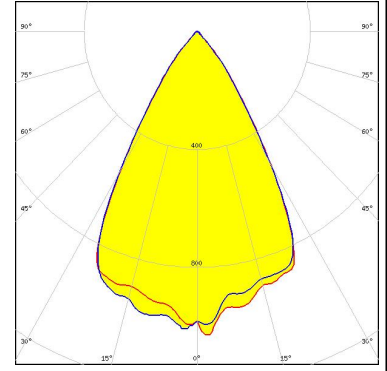
OPTICAL RESULTS (SIMULATED):



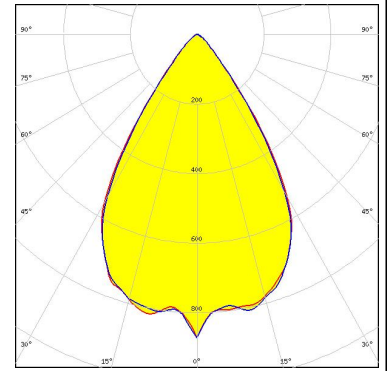
LED XP-G
 FWHM / FWTM 58.0° / 80.0°
 Efficiency 94 %
 LEDs/each optic 1
 Light colour White
 Required components:



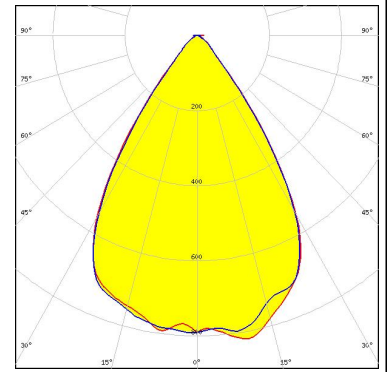
LED XP-G2
 FWHM / FWTM 60.0° / 82.5°
 Efficiency 93 %
 LEDs/each optic 1
 Light colour White
 Required components:



LED XP-G3
 FWHM / FWTM 65.0° / 88.0°
 Efficiency 91 %
 Peak intensity 0.9 cd/lm
 LEDs/each optic 1
 Light colour White
 Required components:



LED XP-L HD
 FWHM / FWTM 64.0° / 86.0°
 Efficiency 94 %
 Peak intensity 0.8 cd/lm
 LEDs/each optic 1
 Light colour White
 Required components:



OPTICAL RESULTS (SIMULATED):

OSRAM
Opto Semiconductors

LED	OSLON SSL 150
FWHM / FWTM	64.0° / 80.0°
Efficiency	96 %
Peak intensity	1 cd/lm
LEDs/each optic	1
Light colour	White
Required components:	

