

PF-SOCKET-VERO10

Socket with press fit interface. Compatible with MIRELLA-PF and BARBARA-PF for Bridgelux VERO10.

TECHNICAL SPECIFICATIONS:

Dimensions	Ø 38.0 mm
Height	3 mm
Fastening	screw
ROHS compliant	yes ⓘ

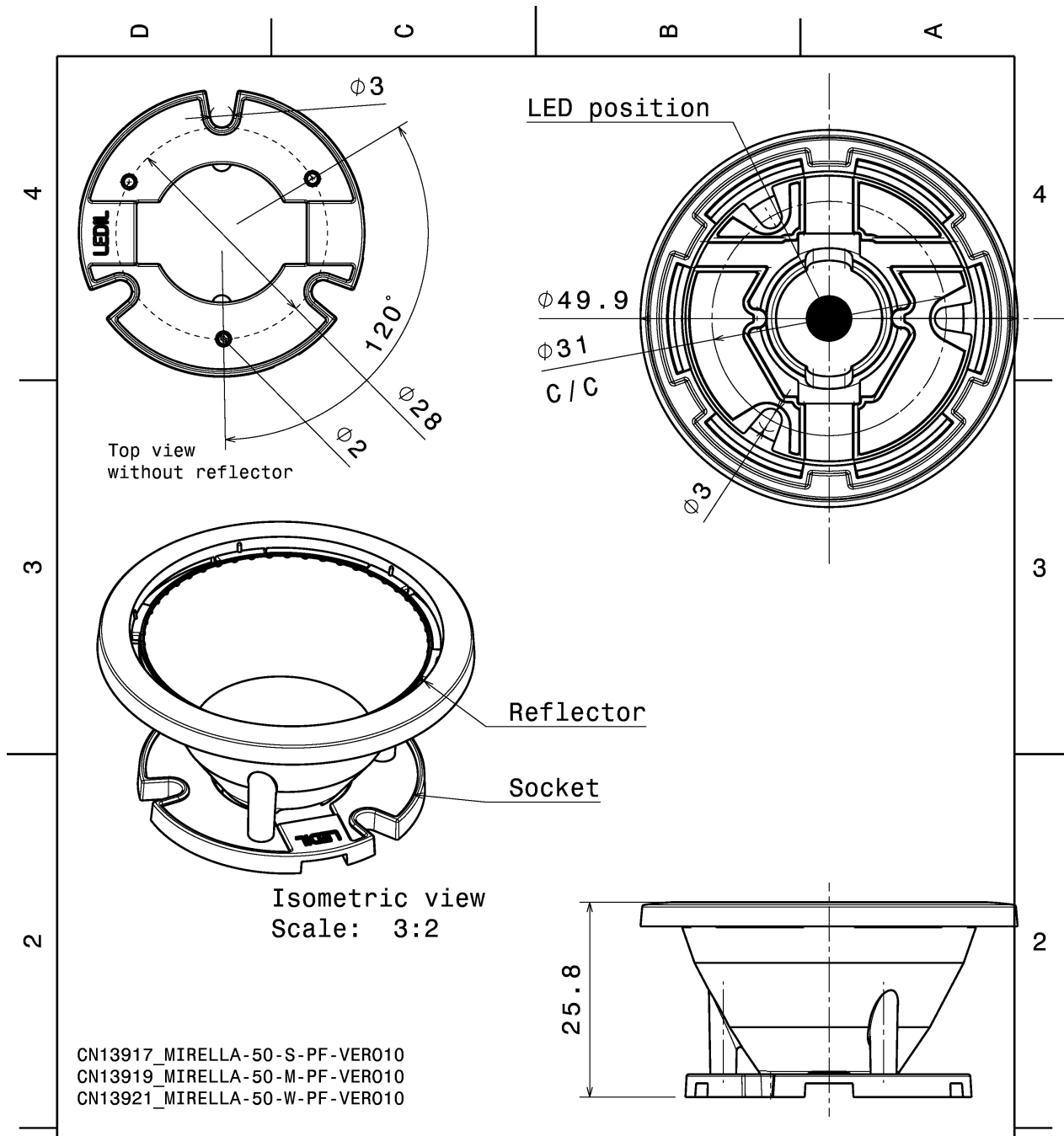


MATERIAL SPECIFICATIONS:

Component	Type	Material	Colour	Finish
PF-SOCKET-VERO10	Base part	PC	white	

ORDERING INFORMATION:

Component	Qty in box	MOQ	MPQ	Box weight (kg)
C13708_PF-SOCKET-VERO10 » Box size: 270 x 180 x 115 mm	672	112	112	1.2



Tolerances if not otherwise shown
According to DIN ISO 2768-1
Linear measures:
Up to 30mm class M, otherwise class C.
According to DIN ISO 2768-2
Form and position: class L

LEDiL Ledil Oy
Salorankatu 10
FIN 24240 SALO
Finland

THIRD ANGLE PROJECTION:

DRAWING TITLE
MIRELLA-50-PF-VERO10

This drawing is the property of LEDiL Oy. It may not be reproduced, copied or communicated without a written agreement with LEDiL Oy."

SIZE	PART NUMBER
A4	-

SCALE	3:2	WEIGHT	-	SHEET	1/1
-------	-----	--------	---	-------	-----

See also our general installation guide: www.ledil.com/installation_guide