

PF-SOCKET-VERO13-18

Socket with press fit interface. Compatible with MIRELLA-PF and BARBARA-PF for Bridgelux VERO13 and VERO18.

TECHNICAL SPECIFICATIONS:

Dimensions	Ø 38.0 mm
Height	2.2 mm
Fastening	screw
ROHS compliant	yes ⓘ

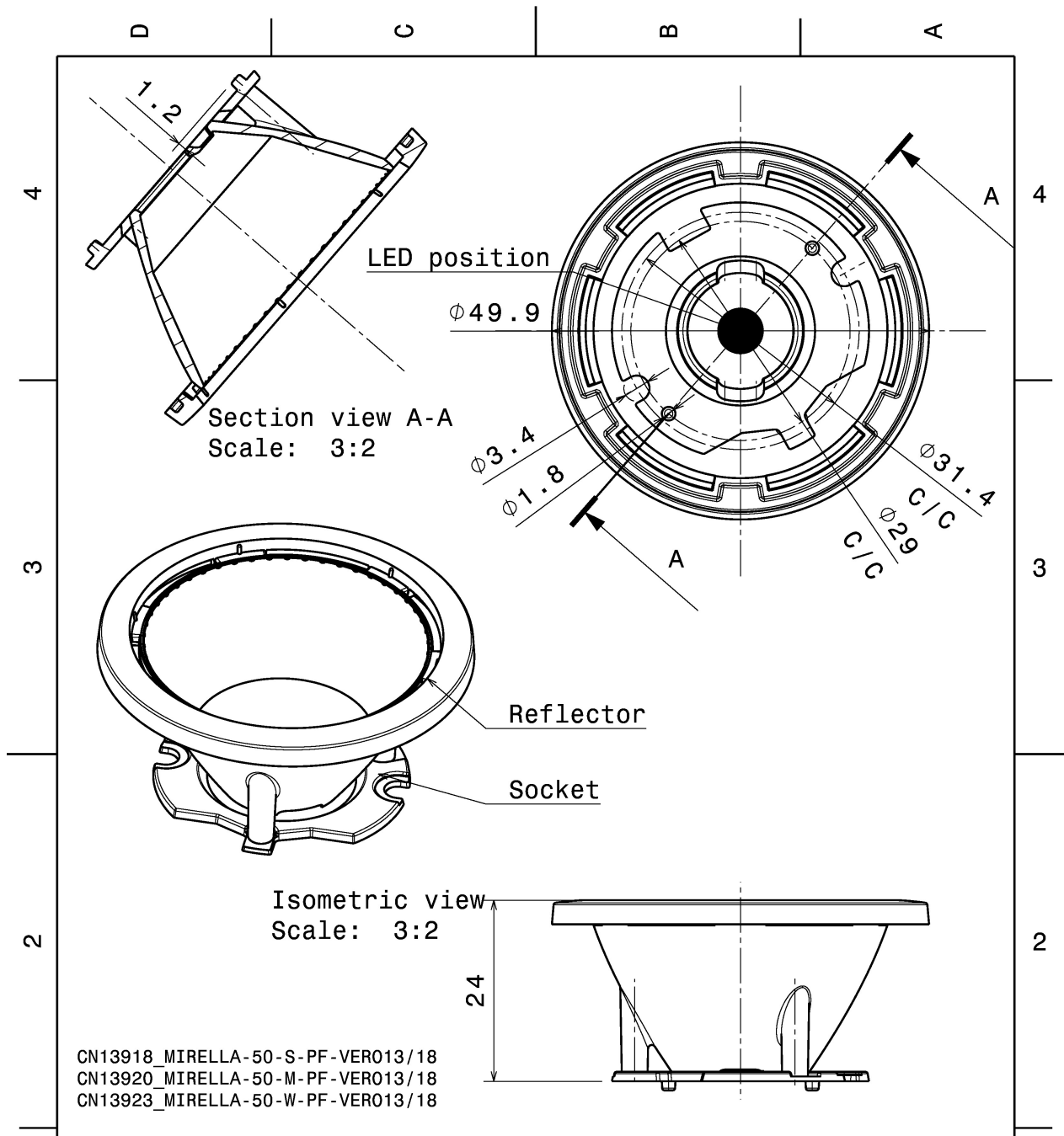


MATERIAL SPECIFICATIONS:

Component	Type	Material	Colour	Finish
PF-SOCKET-VERO13-18	Base part	PC	white	

ORDERING INFORMATION:

Component	Qty in box	MOQ	MPQ	Box weight (kg)
C13709_PF-SOCKET-VERO13-18 » Box size: 400 x 280 x 280 mm	2688	112	28	3.5



Tolerances if not otherwise shown According to DIN ISO 2768-1 Linear measures: Up to 30mm class M, otherwise class C. According to DIN ISO 2768-2 Form and position: class L		LEDiL Ledil Oy Salorankatu 10 FIN 24240 SALO Finland	
THIRD ANGLE PROJECTION:		DRAWING TITLE MIRELLA-50-PF-VERO13/18	
This drawing is the property of LEDiL Oy. It may not be reproduced, copied or communicated without a written agreement with LEDiL Oy.		SIZE A4	PART NUMBER -
SCALE 3:2		WEIGHT -	SHEET 1/1

See also our general installation guide: www.ledil.com/installation_guide