

LENA-STD-BASE-CXA18

Basepart for LENA and LENINA reflectors.
Compatible with CREE CXA and B 1816, CXA and B 1820 and CXA 1850.

TECHNICAL SPECIFICATIONS:

Dimensions	Ø 58.7 mm
Height	14.2 mm
Fastening	screw
ROHS compliant	yes ⓘ

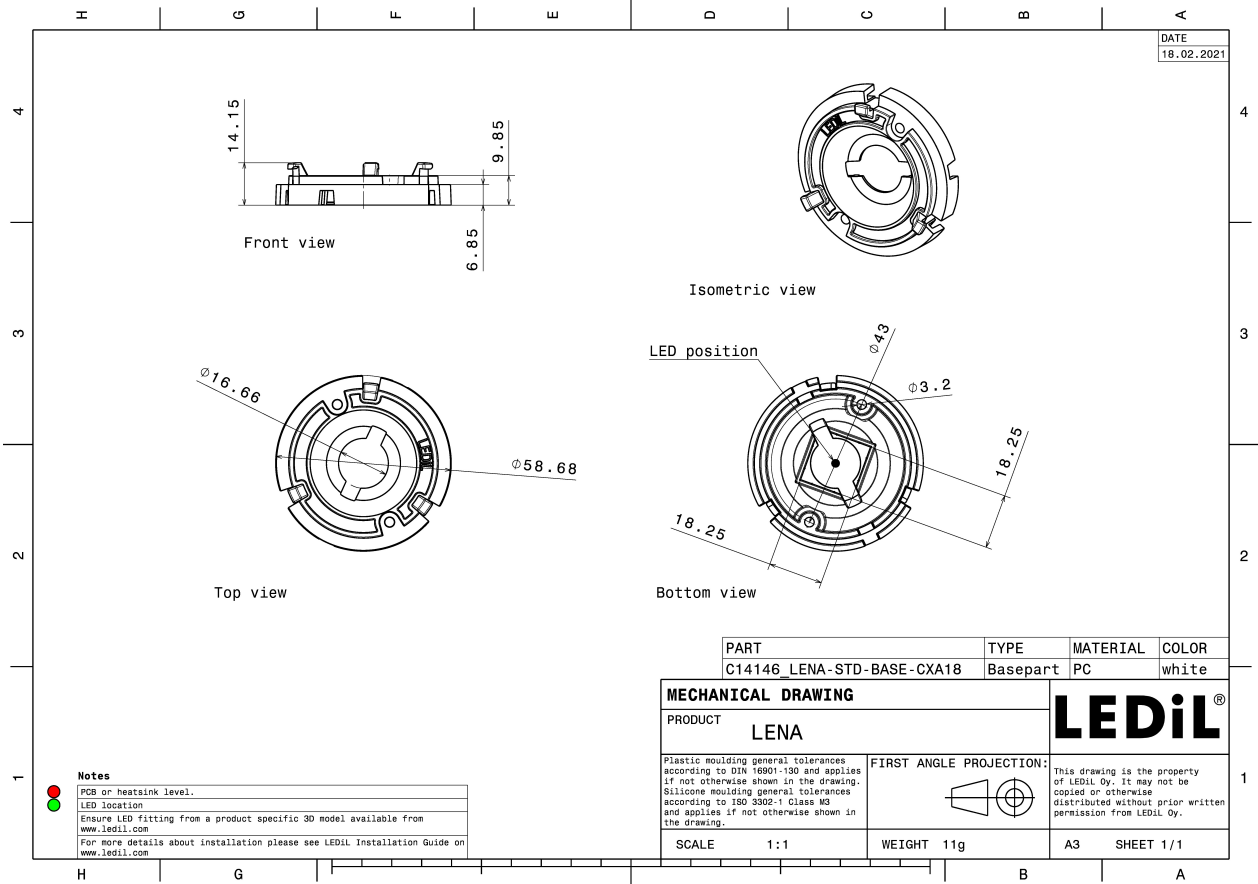


MATERIAL SPECIFICATIONS:

Component	Type	Material	Colour	Finish
LENA-STD-BASE-CXA18	Base part	PC	white	

ORDERING INFORMATION:

Component	Qty in box	MOQ	MPQ	Box weight (kg)
C14146_LENA-STD-BASE-CXA18 » Box size: 380 x 240 x 120 mm	60	60	60	3.9



See also our general installation guide: www.ledil.com/installation_guide