

## STELLA-CLAMP-CXA15-18

Basepart for STELLA. Compatible with CREE CXA15xx and CXA18xx.

### TECHNICAL SPECIFICATIONS:

Dimensions	Ø 37.0 mm
Height	2 mm
Fastening	screw
ROHS compliant	yes ⓘ

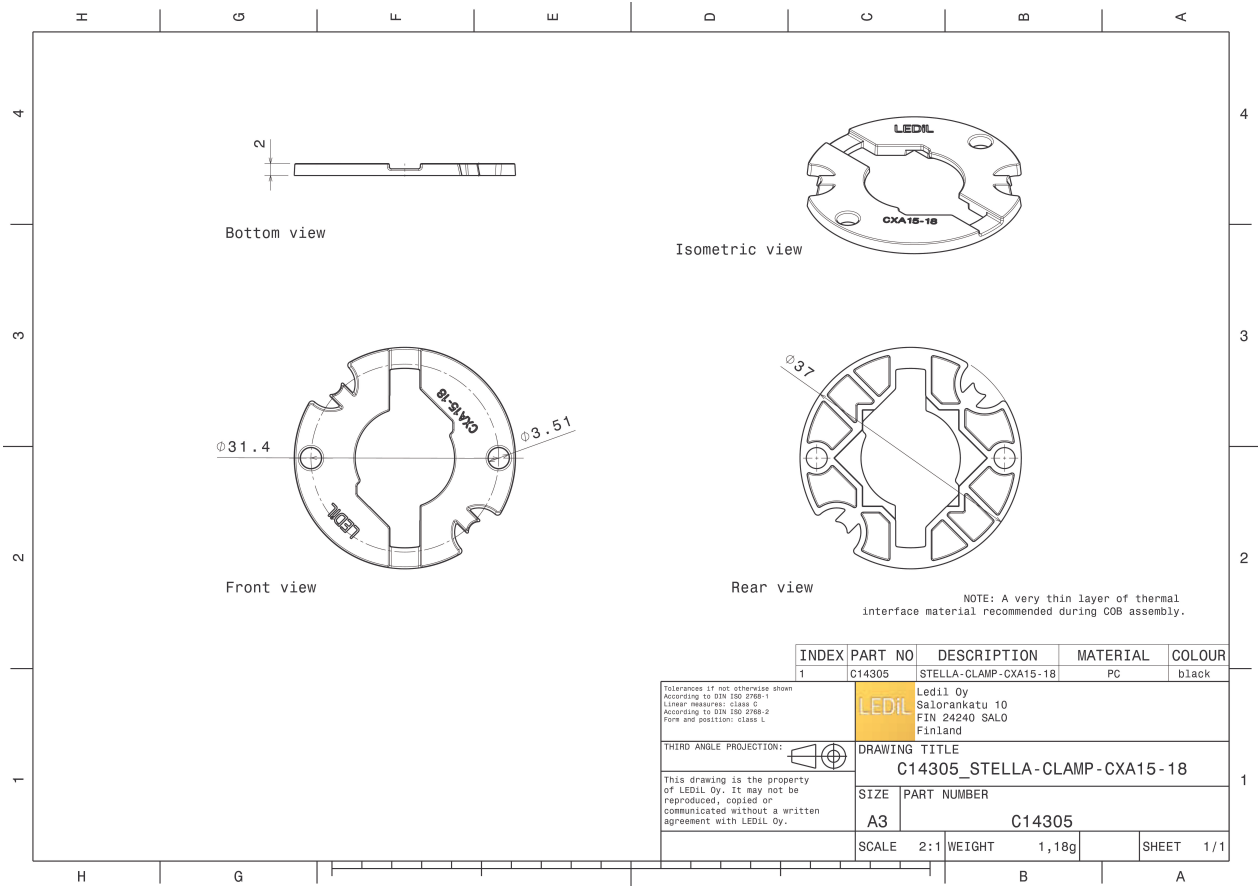


### MATERIAL SPECIFICATIONS:

Component	Type	Material	Colour	Finish
STELLA-CLAMP-CXA15-18	Base part	PC	white	

### ORDERING INFORMATION:

Component	Qty in box	MOQ	MPQ	Box weight (kg)
C14305_STELLA-CLAMP-CXA15-18 » Box size: 380 x 280 x 270 mm	3200	100	10	5.3



See also our general installation guide: [www.ledil.com/installation\\_guide](http://www.ledil.com/installation_guide)