

FLORENCE-1R-CLIP-B

Installation clip for fastening FLORENCE-1R optics or FLORENTINA-HLD to extrusion profiles

SPECIFICATION:

Dimensions	23.6 x 6.0 mm
Height	6.9 mm
Fastening	clips
ROHS compliant	yes ⓘ

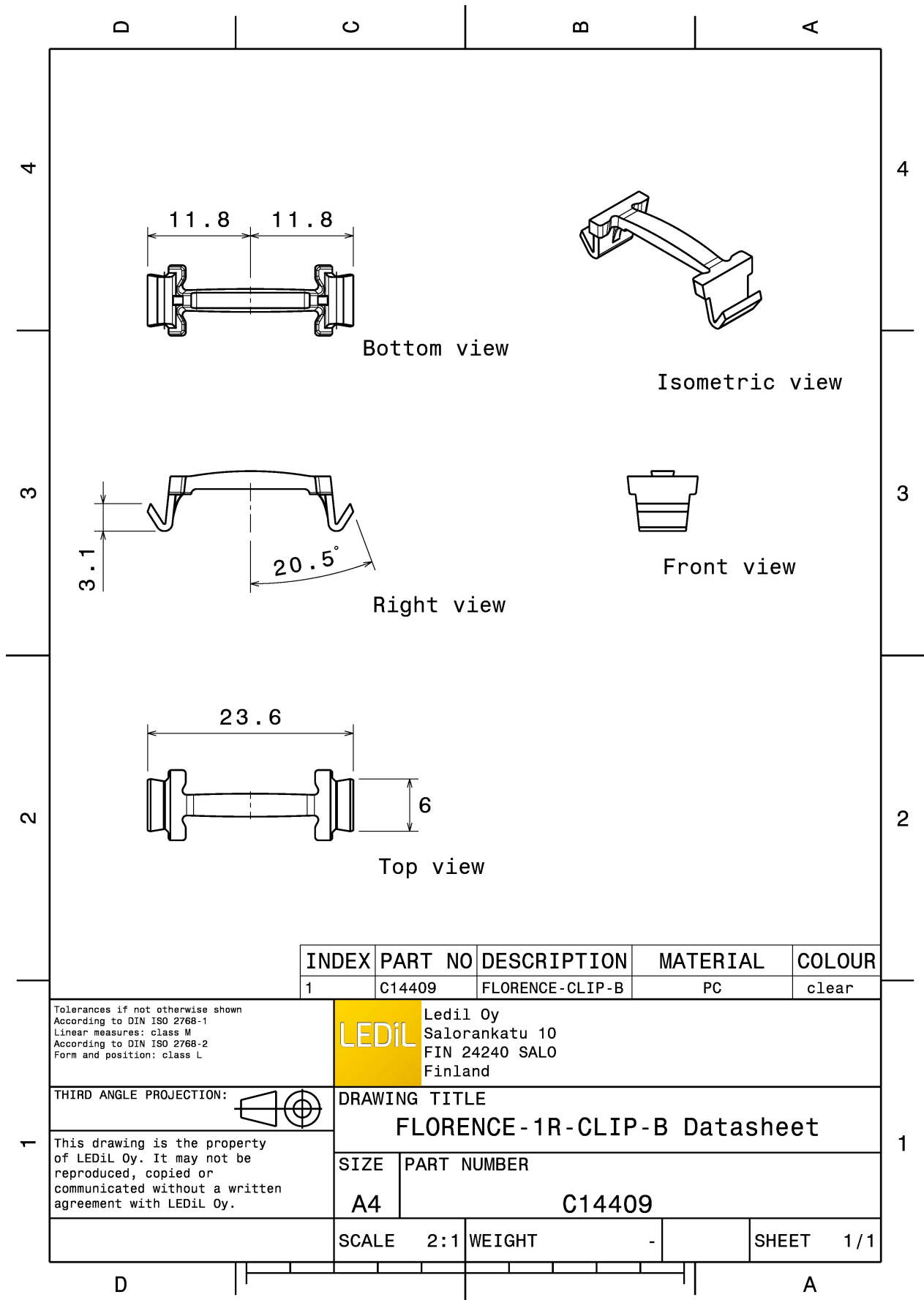


MATERIALS:

Component	Type	Material	Colour	Finish
FLORENCE-1R-CLIP-B	Accessory	PC	clear	

ORDERING INFORMATION:

Component	Qty in box	MOQ	MPQ	Box weight (kg)
C14409_FLORENCE-1R-CLIP-B » Box size: 400 x 300 x 300 mm	11520	720	60	3.3



INDEX	PART NO	DESCRIPTION	MATERIAL	COLOUR
1	C14409	FLORENCE-CLIP-B	PC	clear

Tolerances if not otherwise shown
 According to DIN ISO 2768-1
 Linear measures: class M
 According to DIN ISO 2768-2
 Form and position: class L

LEDiL LediL Oy
 Salorankatu 10
 FIN 24240 SALO
 Finland

THIRD ANGLE PROJECTION:

DRAWING TITLE
FLORENCE-1R-CLIP-B Datasheet

This drawing is the property of LEDiL Oy. It may not be reproduced, copied or communicated without a written agreement with LEDiL Oy.

SIZE	PART NUMBER
A4	C14409

SCALE	2:1	WEIGHT	-	SHEET	1/1
-------	-----	--------	---	-------	-----

See also our general installation guide: www.ledil.com/installation_guide

AVAILABLE LEDiL PRODUCTS:

Product name	Description
F14304_FLORENCE-1R-Z90	~90° + 110° wide beam
F14344_FLORENCE-1R-ZT25	Asymmetric beam for wall-washing
C14454_FLORENCE-1R-O	~95° + 30° oval beam
F14468_FLORENCE-1R-Z60	~60° + 110° medium beam
F14487_FLORENCE-1R-MAXI-WG	Asymmetric oval beam for wall grazing
C14530_FLORENCE-1R-Z2T25	Double asymmetric beam for aisle and shelf lighting
C14642_FLORENCE-1R-UP	Asymmetric beam for uplighting
CP14866_FLORENTINA-HLD-RS	~10° real spot beam
CP14993_FLORENTINA-HLD-SS	~16° smooth spot beam
CP14994_FLORENTINA-HLD-M	~30° medium beam
CP14995_FLORENTINA-HLD-O	~35° + 12° oval beam
CP14996_FLORENTINA-HLD-D	~18° diffused spot beam
FP14997_FLORENTINA-HLD-W	~40° wide beam
FP14998_FLORENTINA-HLD-WW	~45° wide beam
F15216_FLORENCE-1R-GC-Z90	~90° rectangular beam
CP15250_FLORENTINA-HLD-WW	
CP15341_FLORENTINA-HLD-O-WAS	Oval beam for wall-washing
CP15678_FLORENTINA-HLD-O-90	~35° + 15° oval beam. Variant with beam direction rotated 90°.
F15684_FLORENCE-1R-GC-Z60	~70° wide beam
F15685_FLORENCE-1R-GC-ZT25	Asymmetric beam for wall-washing
FP16391_FLORENTINA-HLD-BW	~60° batwing beam