

LENA-ADAPTER-B

Basepart for LENA and LENINA reflectors.
Compatible with BJB interface.

SPECIFICATION:

Dimensions	Ø 50.0 mm
Height	8.2 mm
Fastening	socket
ROHS compliant	yes ⓘ

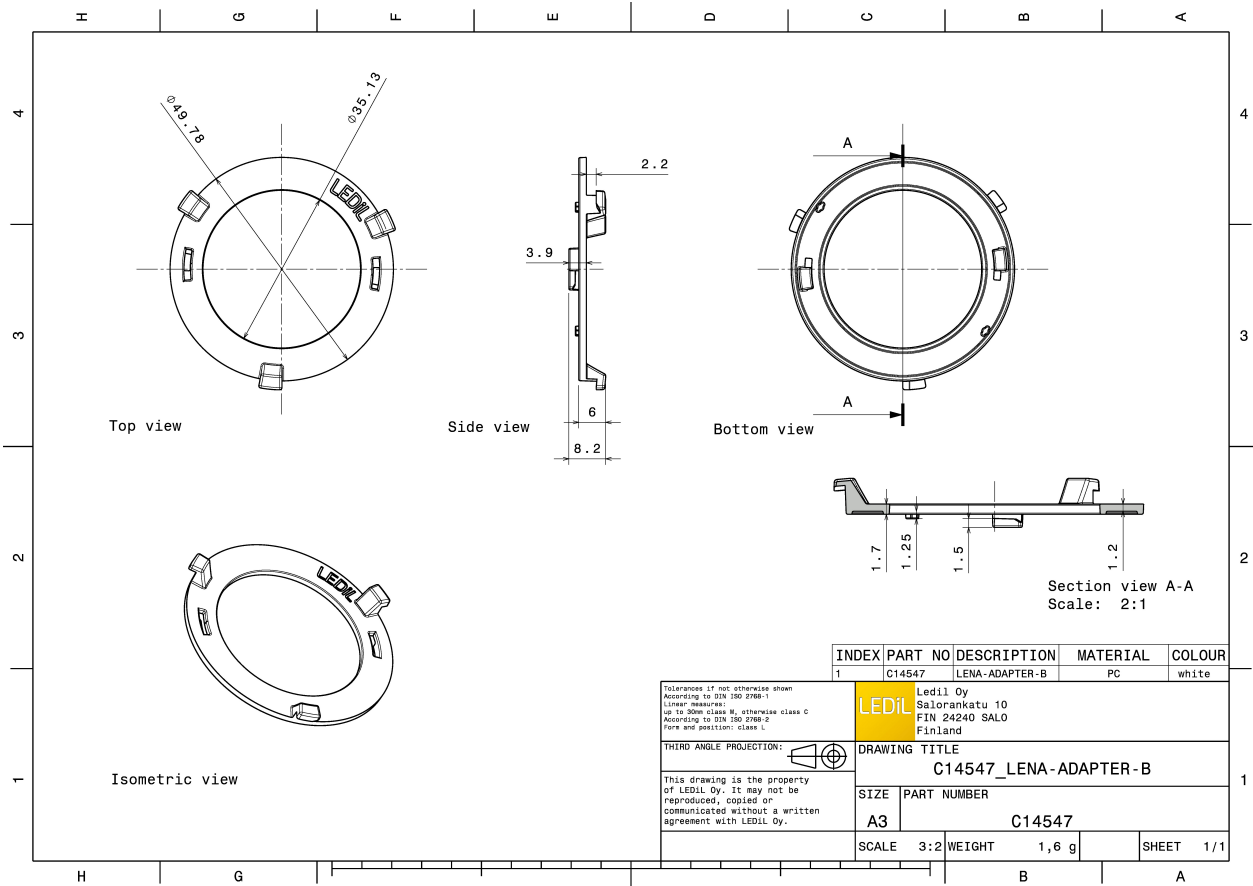
MATERIALS:

Component	Type	Material	Colour	Finish
LENA-ADAPTER-B	Base part	PC	white	

ORDERING INFORMATION:

Component	Qty in box	MOQ	MPQ	Box weight (kg)
C14547_LENA-ADAPTER-B » Box size:	1200	60		10.2





See also our general installation guide: www.ledil.com/installation_guide