

BARBARA-RZ-LENS

Colour mixing sublens for BARBARA-PF, BARBARA-G2 and BROOKE-G2

SPECIFICATION:

Dimensions	Ø 26.5 mm
Height	8.4 mm
Fastening	pin
ROHS compliant	yes ⓘ

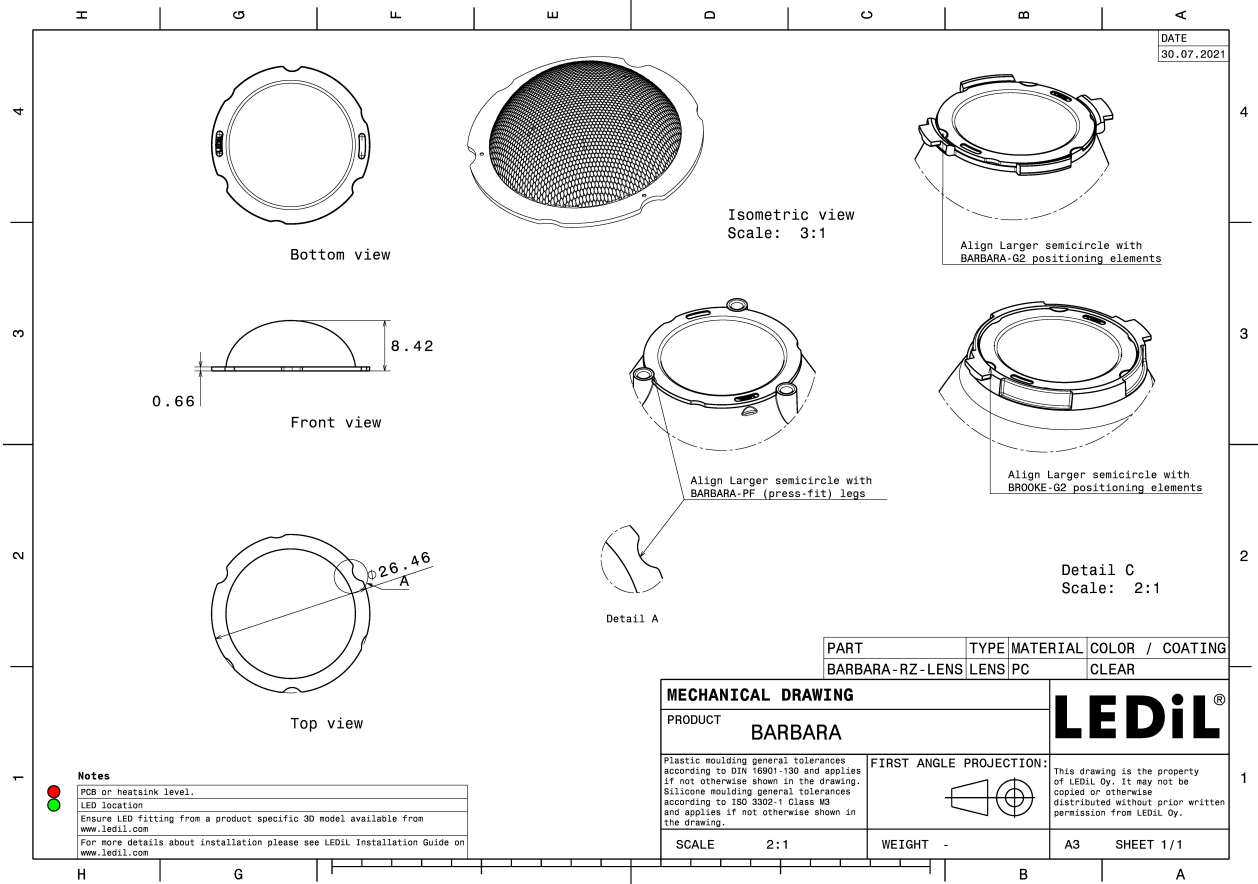


MATERIALS:

Component	Type	Material	Colour	Finish
BARBARA-RZ-LENS	Sublens	PC	clear	

ORDERING INFORMATION:

Component	Qty in box	MOQ	MPQ	Box weight (kg)
C14658_BARBARA-RZ-LENS » Box size: 270 x 180 x 115 mm	2160	90	90	1.8



See also our general installation guide: www.ledil.com/installation_guide