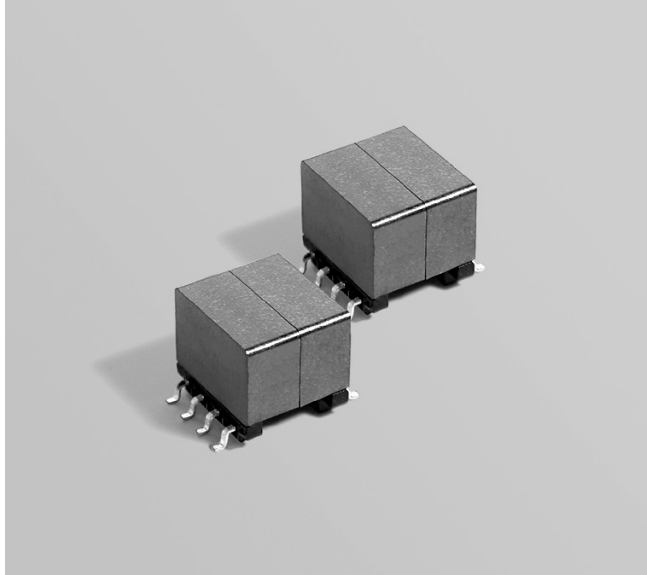




Flyback Transformers

For National Semiconductor
LM5070 PoE Interface – 7 Watt



- Flyback transformers for 7 W PoE applications
- Designed to operate in continuous mode at 250 kHz with an input of 36–72 Vdc
- 1500 Vrms isolation from primary and bias to secondary

Core material Ferrite

Terminations RoHS tin-silver over tin over nickel over phos bronze. Other terminations available at additional cost.

Weight 3.85 g

Ambient temperature –40°C to +85°C

Storage temperature Component: –40°C to +85°C.
Tape and reel packaging: –40°C to +80°C

Resistance to soldering heat Max three 40 second reflows at +260°C, parts cooled to room temperature between cycles

Moisture Sensitivity Level (MSL) 1 (unlimited floor life at <30°C / 85% relative humidity)

PCB washing Tested to MIL-STD-202 Method 215 plus an additional aqueous wash. See [Doc787_PCB_Washing.pdf](#).

Part number ¹	Inductance at 0 A ² ±10% (µH)	Inductance at I _{pk} ³ min (µH)	DCR max (Ohms) ⁴			Leakage inductance max (µH) ⁵	Turns ratio ⁶		I _{pk} ³ (A)	Output ⁷
			pri	bias	sec		pri : sec	pri : bias		
C1587-AL	155	139.5	0.414	0.822	0.036	4.00	1 : 0.19	1 : 0.667	0.65	3.3 V, 2.12 A
C1588-AL	155	139.5	0.414	0.822	0.060	3.60	1 : 0.262	1 : 0.667	0.65	5.0 V, 1.4 A
C1589-AL	155	139.5	0.414	0.822	0.343	3.25	1 : 0.667	1 : 0.667	0.65	12 V, 0.6 A

1. When ordering, please specify **packaging** code:

C1589-ALD

Packaging: D = 13" machine-ready reel. EIA-481 embossed plastic tape. Quantities less than full reel available: in tape (not machine ready) or with leader and trailer (\$25 charge).

B = Less than full reel. In an effort to simplify our part numbering system, Coilcraft is eliminating the need for multiple packaging codes. When ordering, simply change the last letter of your part number from B to D.

2. Inductance is for the primary, measured at 10 kHz, 0.1 Vrms, 0 Adc.

3. I_{pk} is peak primary current drawn at minimum input voltage.

4. DCR for the secondary is per winding.

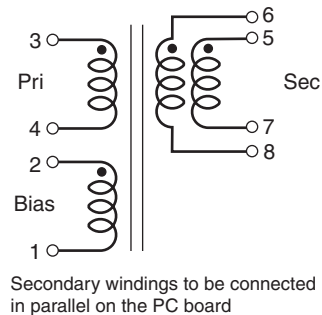
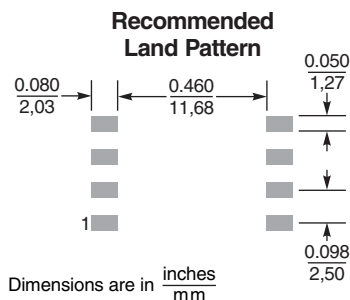
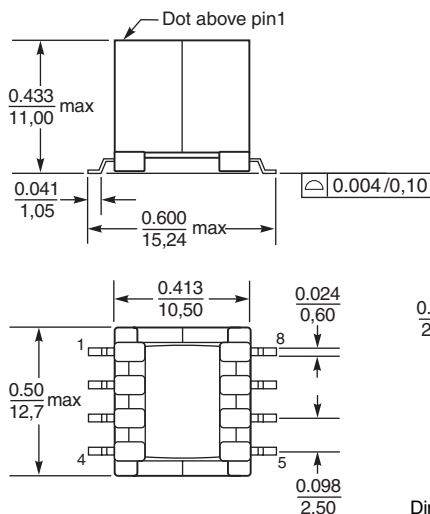
5. Leakage inductance measured between pins 3 and 4 with all other pins shorted.

6. Turns ratio is with the secondary windings connected in parallel.

7. Output of the secondary is with the windings connected in parallel. Bias winding output is 12 V, 20 mA.

8. Electrical specifications at 25°C.

Refer to Doc 362 "Soldering Surface Mount Components" before soldering.



Packaging:

C1587-AL 250 per 13" reel Plastic tape: 32 mm wide, 0.5 mm thick, 20 mm pocket spacing, 11.2 mm pocket depth

C1588/C1589-AL 200 per 13" reel Plastic tape: 32 mm wide, 0.5 mm thick, 24 mm pocket spacing, 11.2 mm pocket depth



US +1-847-639-6400 sales@coilcraft.com
UK +44-1236-730595 sales@coilcraft-europe.com
Taiwan +886-2-2264 3646 sales@coilcraft.com.tw
China +86-21-6218 8074 sales@coilcraft.com.cn
Singapore + 65-6484 8412 sales@coilcraft.com.sg

Document 458 Revised 07/28/21

© Coilcraft Inc. 2021

This product may not be used in medical or high risk applications without prior Coilcraft approval. Specification subject to change without notice. Please check web site for latest information.