

CLAMP-VERO29

Basepart for reflectors and lenses with A-type interface. Compatible with Bridgelux VERO29. Improved version.

SPECIFICATION:

Dimensions	Ø 53.0 mm
Height	5.5 mm
Fastening	screw
ROHS compliant	yes ⓘ

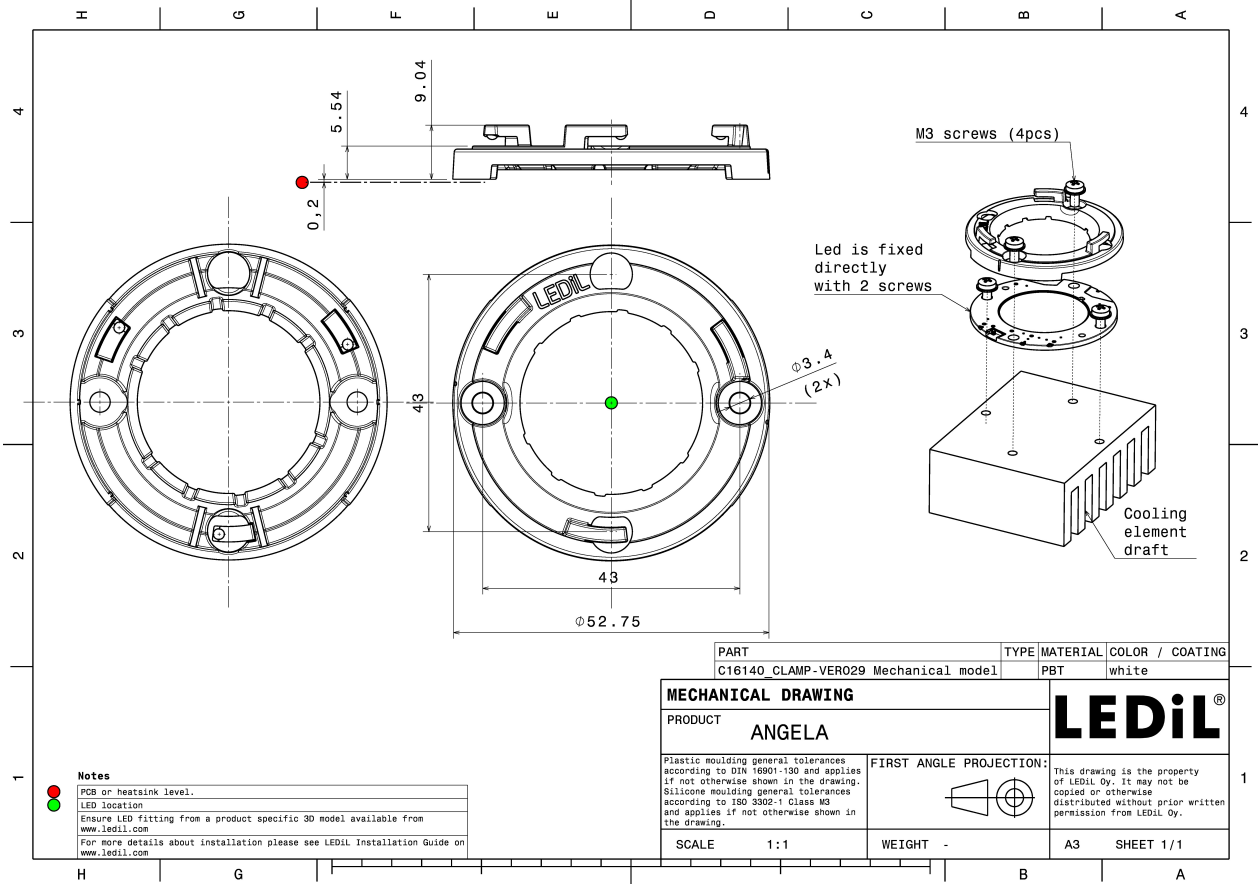


MATERIALS:

Component	Type	Material	Colour	Finish
CLAMP-VERO29	Base part	PBT	white	

ORDERING INFORMATION:

Component	Qty in box	MOQ	MPQ	Box weight (kg)
C16140_CLAMP-VERO29 » Box size: 380 x 240 x 120 mm	240	60	10	1.3



See also our general installation guide: www.ledil.com/installation_guide