

H

G

F

E

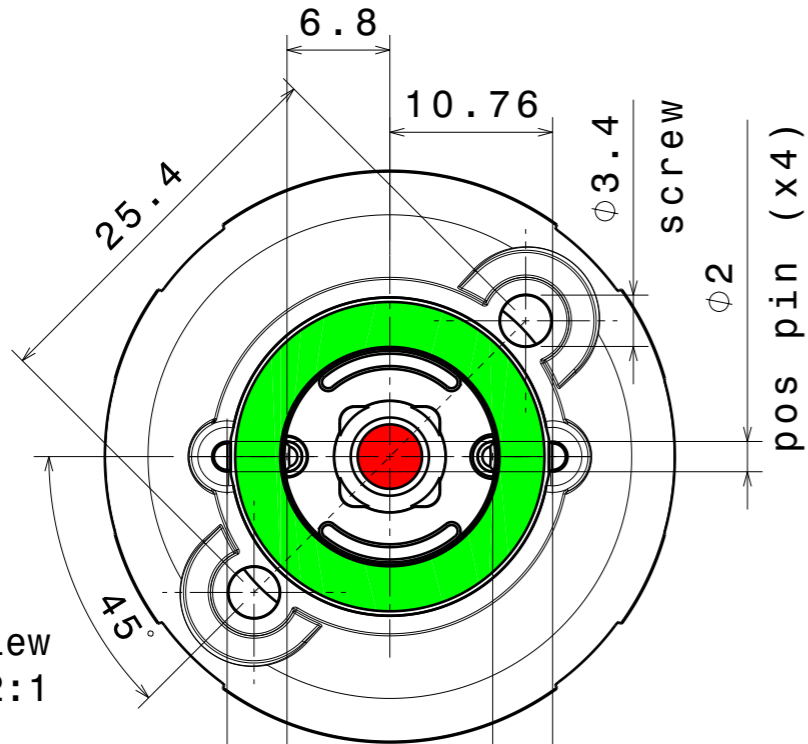
D

C

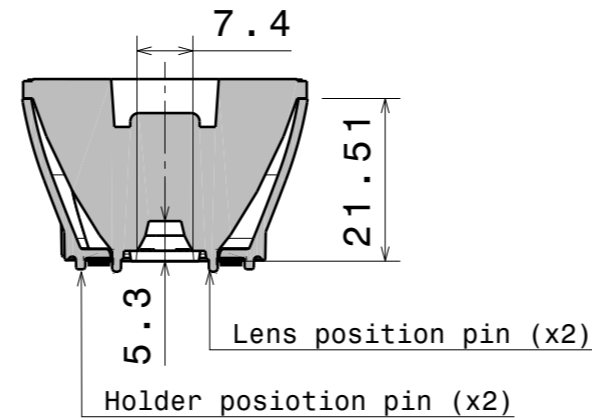
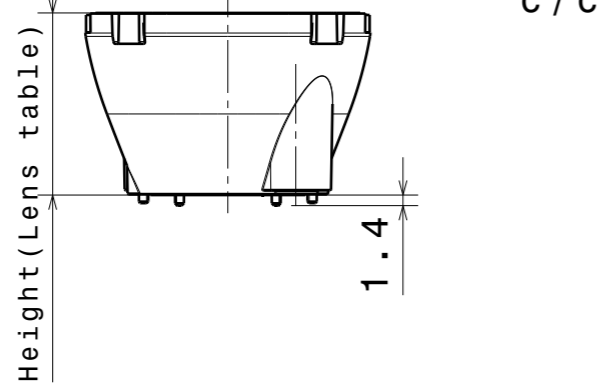
B

A

Bottom view
Scale: 2:1

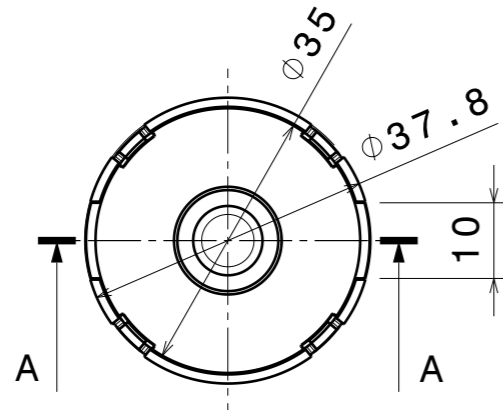


Front view
Scale: 1:1



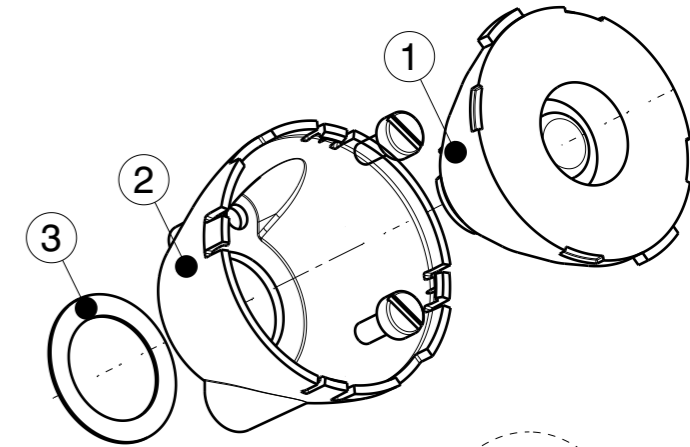
Section view A-A
Scale: 1:1

Top view
Scale: 1:1

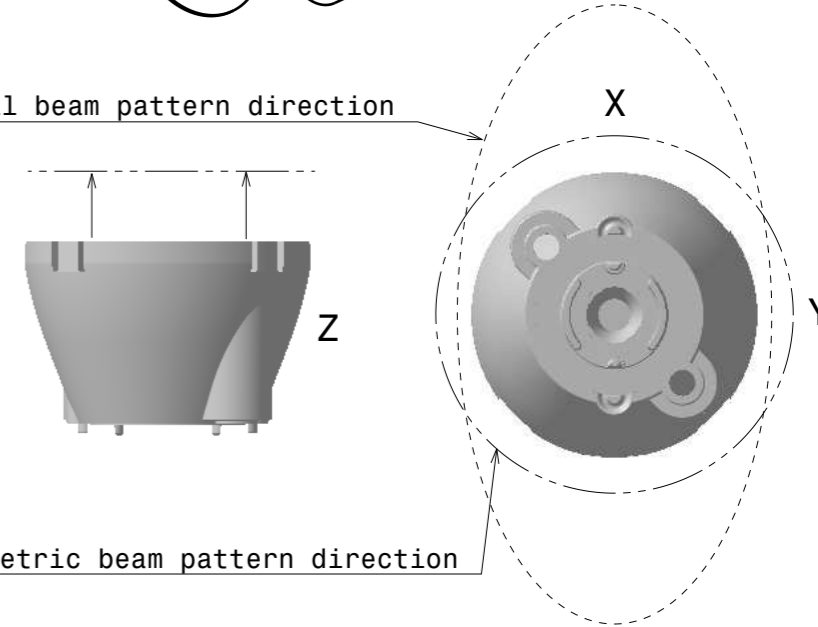


Notes

- PCB or Heat Sink level
- Led location see marking.
- Ensure LED fitting, see our web site and/or 3D model for part detail.
- See more information on page 2,3,4
- Optional parts can be shown in drawing.



Oval beam pattern direction



Symmetric beam pattern direction

Lens table

ASSEMBLY CODE	Lens	Height
CA16202_GABRIELLA-MIDI-S	C16193_GABRIELLA-MIDI-S	24.08mm
CA16203_GABRIELLA-MIDI-M	C16194_GABRIELLA-MIDI-M	24.08mm
CA16204_GABRIELLA-MIDI-W	C16195_GABRIELLA-MIDI-W	24.17mm
CA16205_GABRIELLA-MIDI-O	C16196_GABRIELLA-MIDI-O	24.29mm

ASSEMBLY COMPONENTS

INDEX	PRODUCT	TYPE	MATERIAL	COLOUR/COATING
1	GABRIELLA-MIDI-Lens (See assembly table)	LENS	PMMA	CLEAR
2	C16192_GABRIELLA-MIDI-HLD	HOLDER	PC	BLACK
3	C16306_GABRIELLA-MIDI-TAPE	TAPE	PU	BLACK

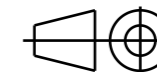
MECHANICAL DRAWING

PRODUCT
GABRIELLA-MIDI

LEDiL[®]

Tolerances if not otherwise shown
According to DIN ISO 2768-1
Linear measures:
Up to 30mm class M, otherwise class C.
According to DIN ISO 2768-2
Form and position: class L

FIRST ANGLE PROJECTION:



This drawing is the property of LEDiL Oy. It may not be reproduced, copied or communicated without a written agreement with LEDiL Oy.

SCALE 1:1 SIZE A3 SHEET 1/4

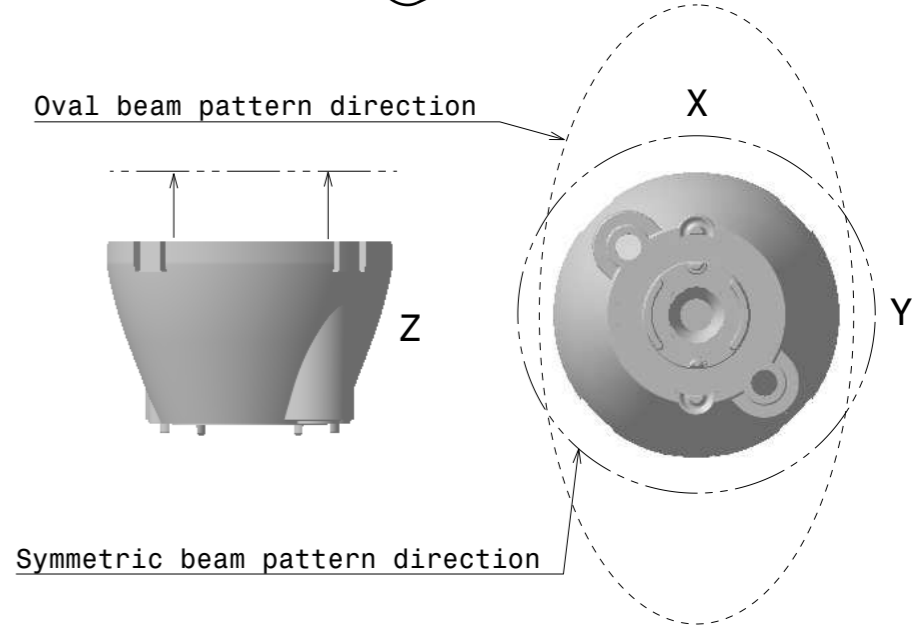
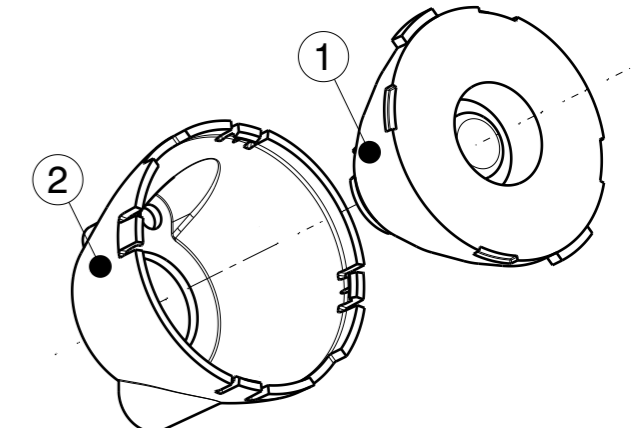
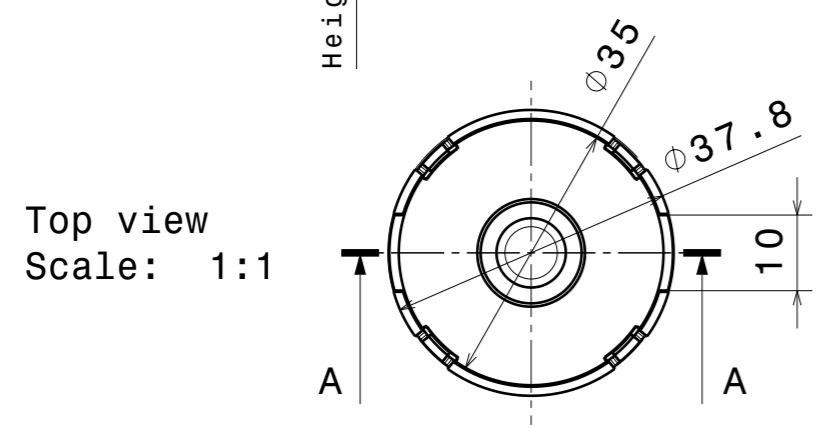
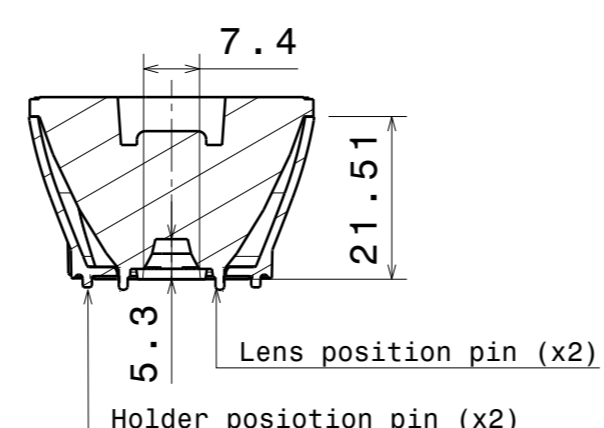
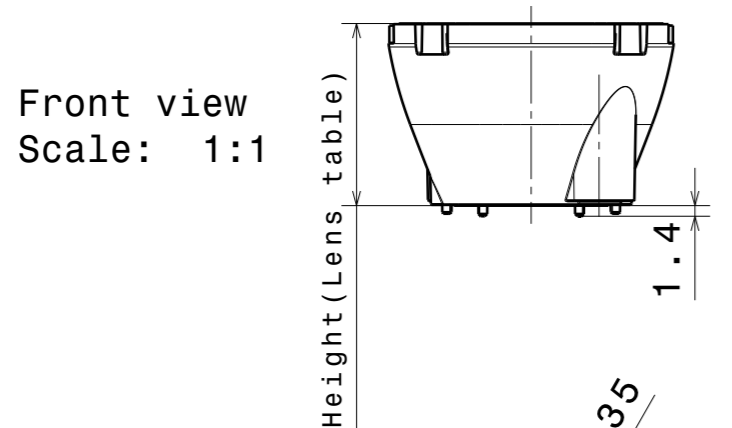
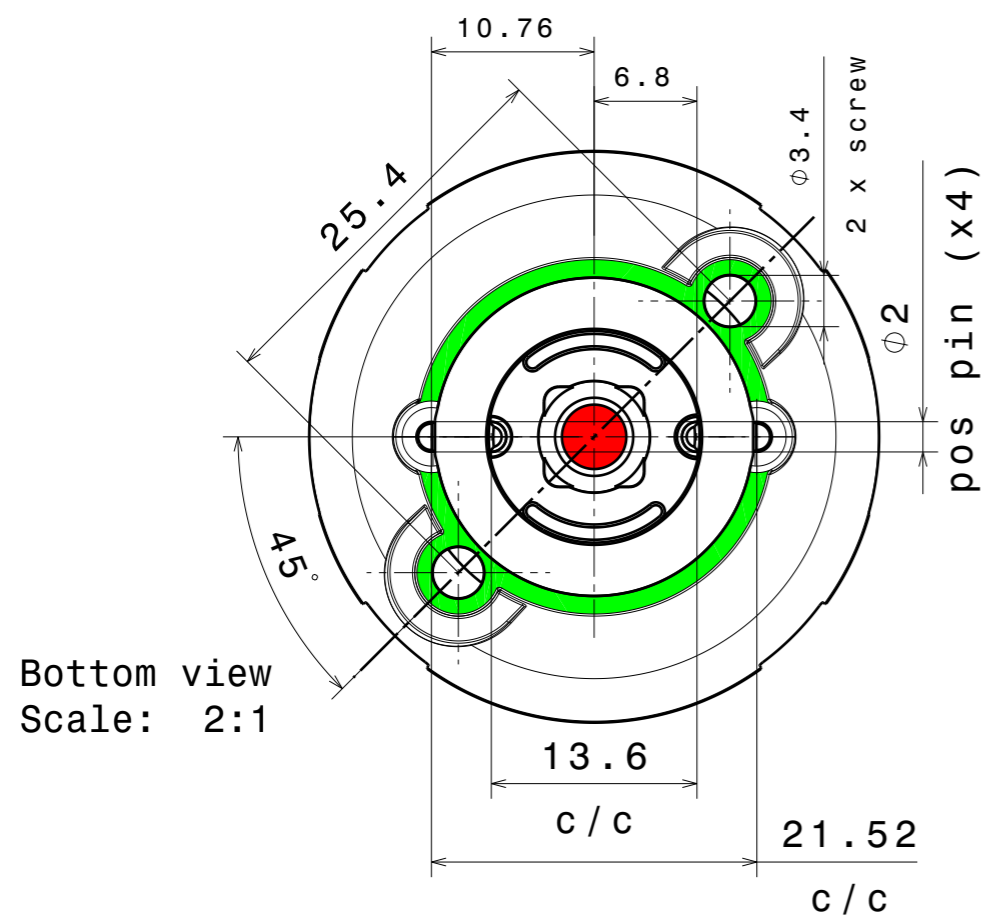
H

G

B

A

H G F E D C B A



Lens table		
ASSEMBLY CODE	Lens	Height
CN16208_GABRIELLA-MIDI-S	C16193_GABRIELLA-MIDI-S	24.08mm
CN16209_GABRIELLA-MIDI-M	C16194_GABRIELLA-MIDI-M	24.08mm
CN16210_GABRIELLA-MIDI-W	C16195_GABRIELLA-MIDI-W	24.17mm
CN16211_GABRIELLA-MIDI-O	C16196_GABRIELLA-MIDI-O	24.29mm

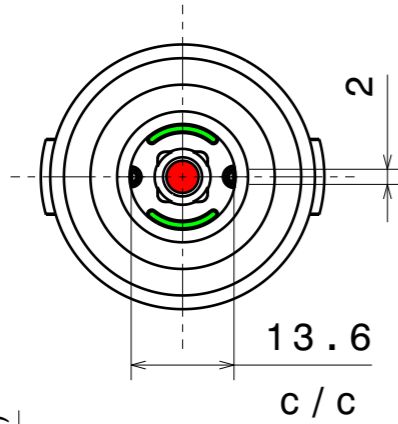
ASSEMBLY COMPONENTS				
INDEX	PRODUCT	TYPE	MATERIAL	COLOUR/COATING
1	GABRIELLA-MIDI-Lens (See lens table)	LENS	PMMA	CLEAR
2	C16192_GABRIELLA-MIDI-HLD	HOLDER	PC	BLACK

- Notes**
- PCB or Heat Sink level
 - Led location see marking.
 - Ensure LED fitting, see our web site and/or 3D model for part detail.

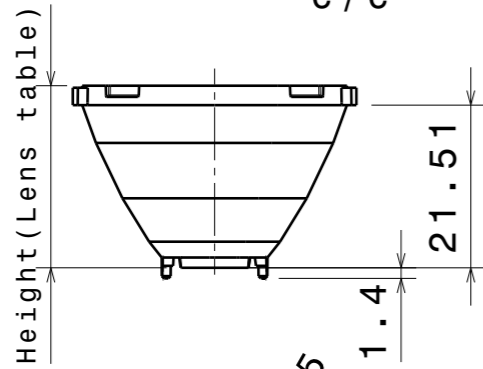
MECHANICAL DRAWING		LEDiL [®]
PRODUCT GABRIELLA-MIDI		
Tolerances if not otherwise shown According to DIN ISO 2768-1 Linear measures: Up to 30mm class M, otherwise class C. According to DIN ISO 2768-2 Form and position: class L	FIRST ANGLE PROJECTION: 	This drawing is the property of LEDiL Oy. It may not be reproduced, copied or communicated without a written agreement with LEDiL Oy.
SCALE	1:1	SIZE A3 SHEET 3/4

H G B A

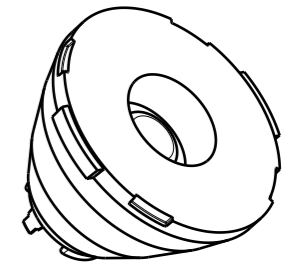
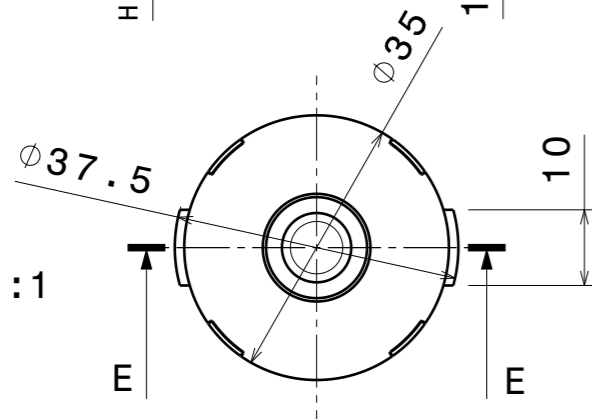
Bottom view
Scale: 1:1



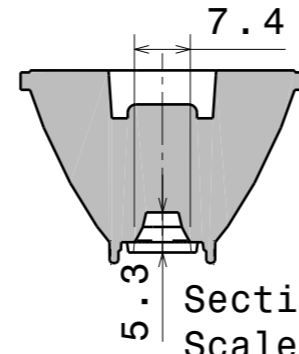
Front view
Scale: 1:1



Top view
Scale: 1:1



Isometric view
Scale: 1:1



Section view E-E
Scale: 1:1

Lens table	
Lens	Height
C16193_GABRIELLA-MIDI-S	24.08mm
C16194_GABRIELLA-MIDI-M	24.08mm
C16195_GABRIELLA-MIDI-W	24.17mm
C16196_GABRIELLA-MIDI-O	24.29mm

COMPONENTS

INDEX	PRODUCT	TYPE	MATERIAL	COLOUR/COATING
1	GABRIELLA-MIDI-Lens (See assembly table)	LENS	PMMA	CLEAR

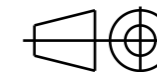
MECHANICAL DRAWING

PRODUCT
GABRIELLA-MIDI

LEDiL®

Tolerances if not otherwise shown
According to DIN ISO 2768-1
Linear measures:
Up to 30mm class M, otherwise class C.
According to DIN ISO 2768-2
Form and position: class L

FIRST ANGLE PROJECTION:



This drawing is the property of LEDiL Oy. It may not be reproduced, copied or communicated without a written agreement with LEDiL Oy.

SCALE	1:1	SIZE	A3	SHEET	2/4
-------	-----	------	----	-------	-----

Notes

	PCB or Heat Sink level
	Led location see marking.
	Ensure LED fitting, see our web site and/or 3D model for part detail.