

## CLAMP-Z45-A

Adapter for ANGELA, ANGELINA, ANGELETTE, MOLLY and RONDA-A. Compatible with TE Z45 connector.

### SPECIFICATION:

Dimensions	Ø 48.9 mm
Height	10.3 mm
Fastening	screw
ROHS compliant	yes ⓘ

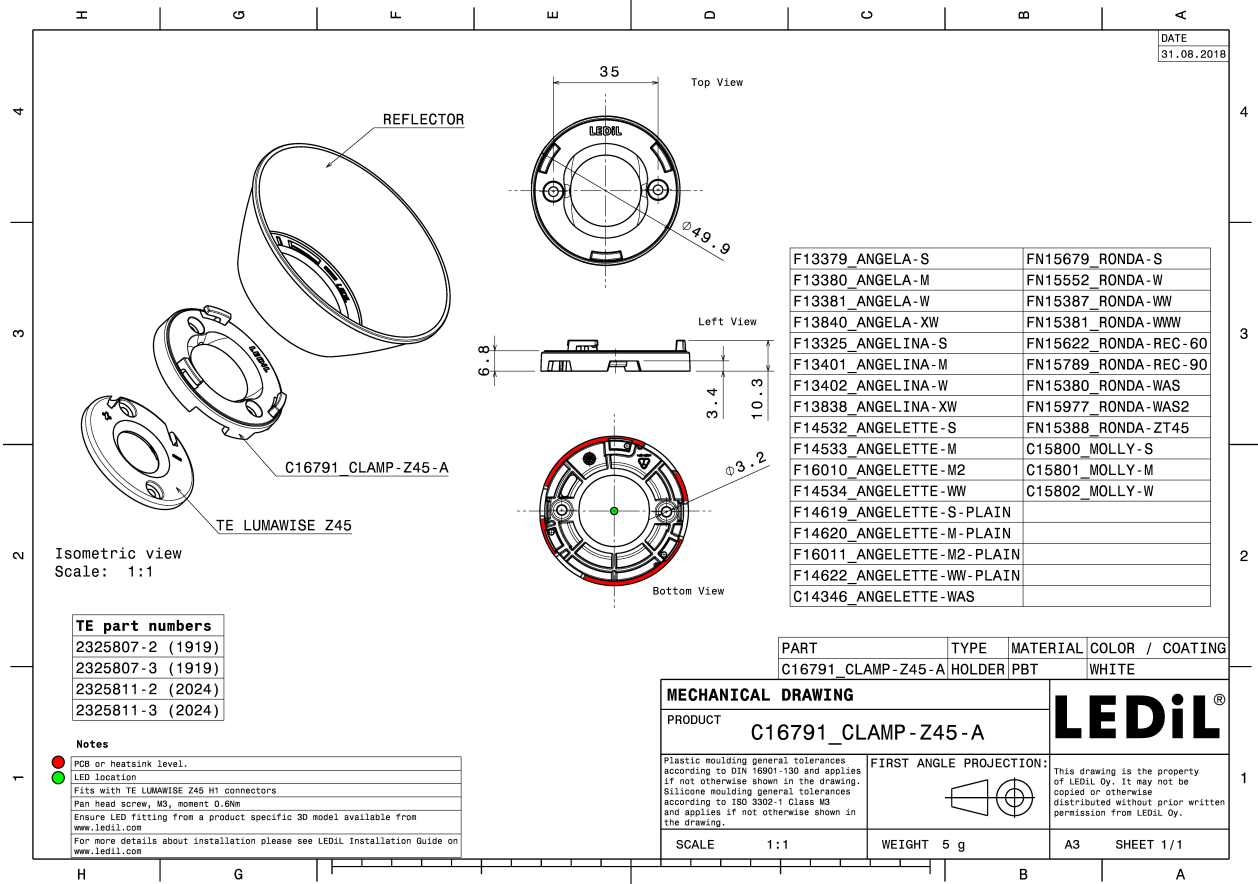


### MATERIALS:

Component	Type	Material	Colour	Finish
CLAMP-Z45-A	Base part	PBT	white	

### ORDERING INFORMATION:

Component	Qty in box	MOQ	MPQ	Box weight (kg)
C16791_CLAMP-Z45-A » Box size: 380 x 240 x 120 mm	240	60	10	1.5



See also our general installation guide: [www.ledil.com/installation\\_guide](http://www.ledil.com/installation_guide)