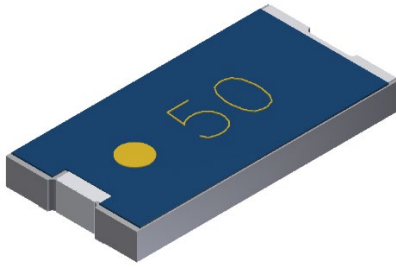


Surface Mount Termination
16 Watts, 50Ω



Description

The C16A50Z4 is high performance Alumina (Al_2O_3) surface mount termination intended as a cost competitive alternative to Aluminum Nitride (AlN). The termination is well suited to all cellular frequency bands such as; AMPS, GSM, DCS, PCS, PHS and UMTS. The high power handling makes the part ideal for terminating high power 90 degree couplers and for use in microstrip circuits. The termination is also RoHS compliant!

Features:

- RoHS Compliant
- 16 Watts
- DC – 4.0 GHz
- Al_2O_3 Ceramic
- Non-Nichrome Resistive Element
- Low Return Loss
- 100% Tested
- Small Size

General Specifications

Resistive Element	Thick film
Substrate	Al_2O_3 Ceramic
Terminal Finish	Matte Tin over Nickel Barrier
Operating Temperature	-50 to +150°C (see de rating chart)

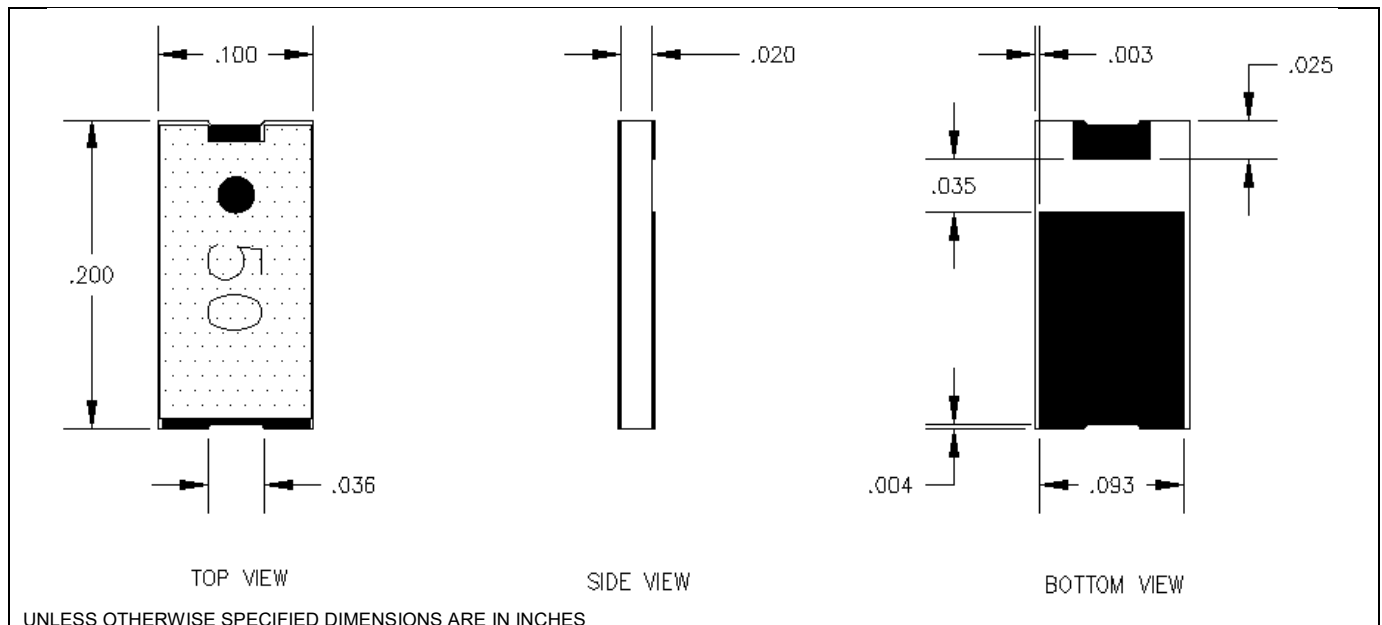
Tolerance is $\pm 0.010"$, unless otherwise specified. Designed to meet or exceed applicable portions of MIL-E-5400. **All dimensions in inches.**

Electrical Specifications

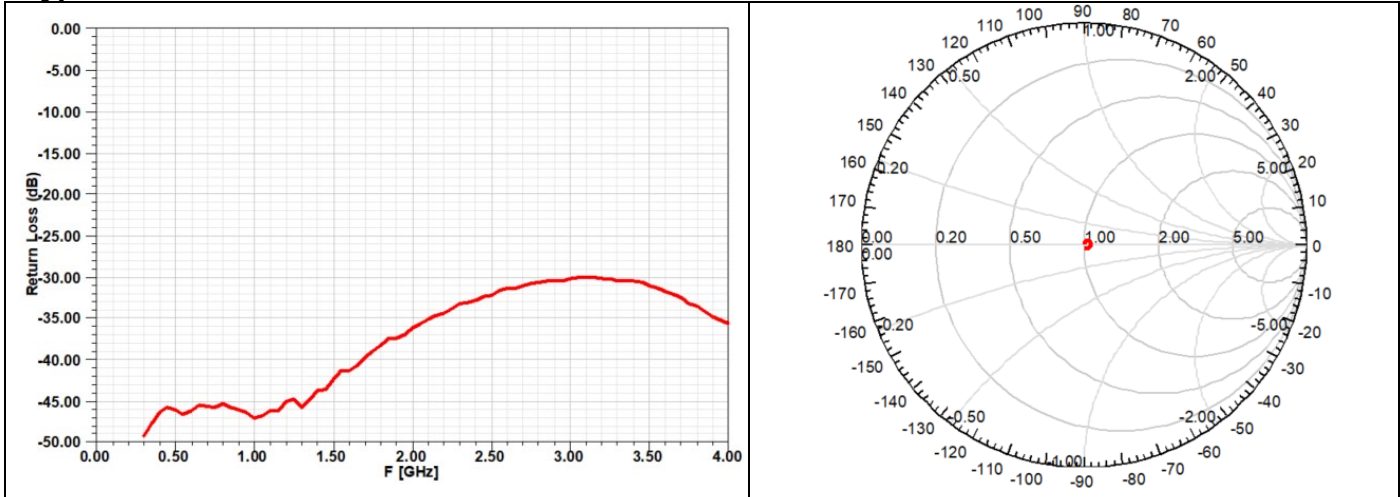
Resistance Value:	50 Ohms, $\pm 2\%$
Power:	16 Watts
Frequency Range:	DC – 4.0 GHz
Return Loss	>26 dB DC - 2.7 GHz >24 dB DC - 4.0 GHz

Specification based on unit properly installed using suggested mounting instructions and a 50 ohm nominal impedance. **Specifications subject to change.**

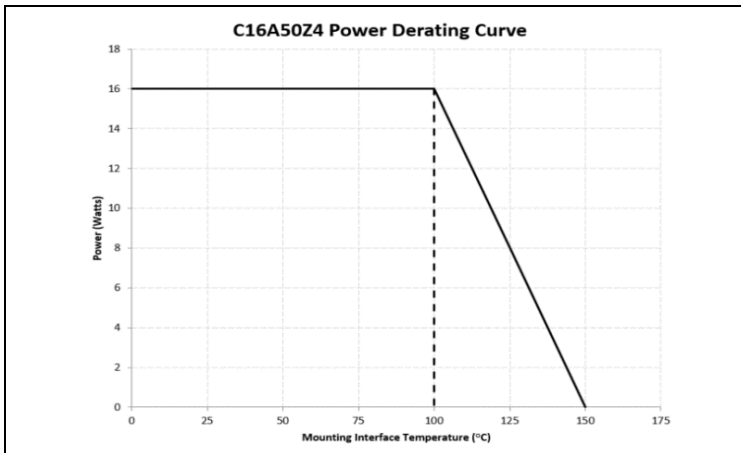
Outline Drawing



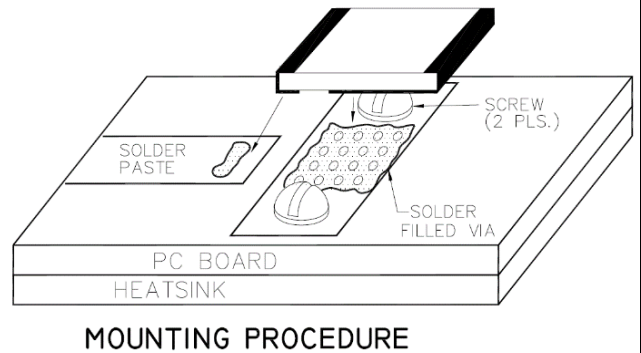
Typical Performance:



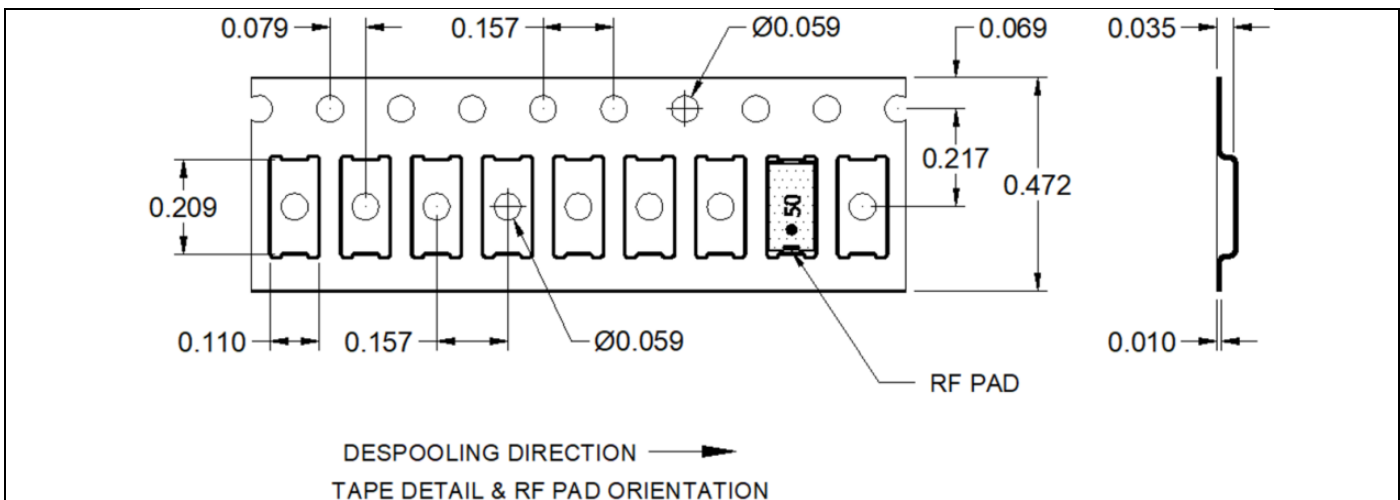
Power De-rating:



Mounting Footprint and Procedure:



Tape & Reel:



Contact us:
rf&s_support@ttm.com