

## AMY-50-S2

~15° spot beam

### TECHNICAL SPECIFICATIONS:

Dimensions	Ø 49.9 mm
Height	10.7 mm
ROHS compliant	yes ⓘ

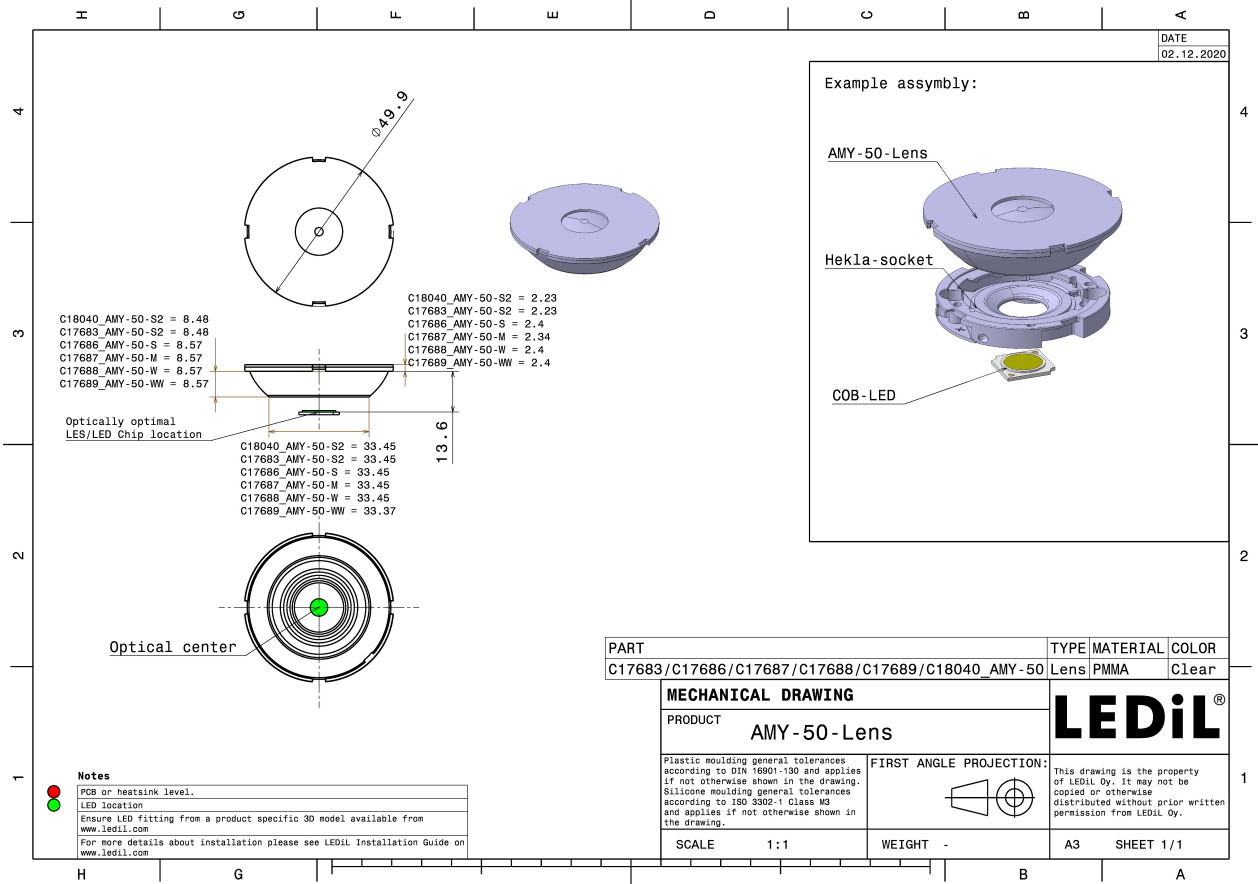
### MATERIAL SPECIFICATIONS:

Component	Type	Material	Colour	Finish
AMY-50-S2	Single lens	PMMA	clear	



### ORDERING INFORMATION:

Component	Qty in box	MOQ	MPQ	Box weight (kg)
C18040_AMY-50-S2 » Box size: 480 x 280 x 300 mm	690	120	30	9.1



See also our general installation guide: [www.ledil.com/installation\\_guide](http://www.ledil.com/installation_guide)

## PHOTOMETRIC DATA (MEASURED):

### CITIZEN

LED CLL02x/CLU02x (LES10)  
FWHM / FWTM 17.0° / 44.0°  
Efficiency 92 %  
Peak intensity 4.6 cd/lm  
LEDs/each optic 1  
Light colour White  
Required components:  
BJB: 47.360.1020

