

AMY-50-RS

~15° spot beam with tight cutoff

SPECIFICATION:

Dimensions	Ø 49.8 mm
Height	10.8 mm
ROHS compliant	yes ⓘ

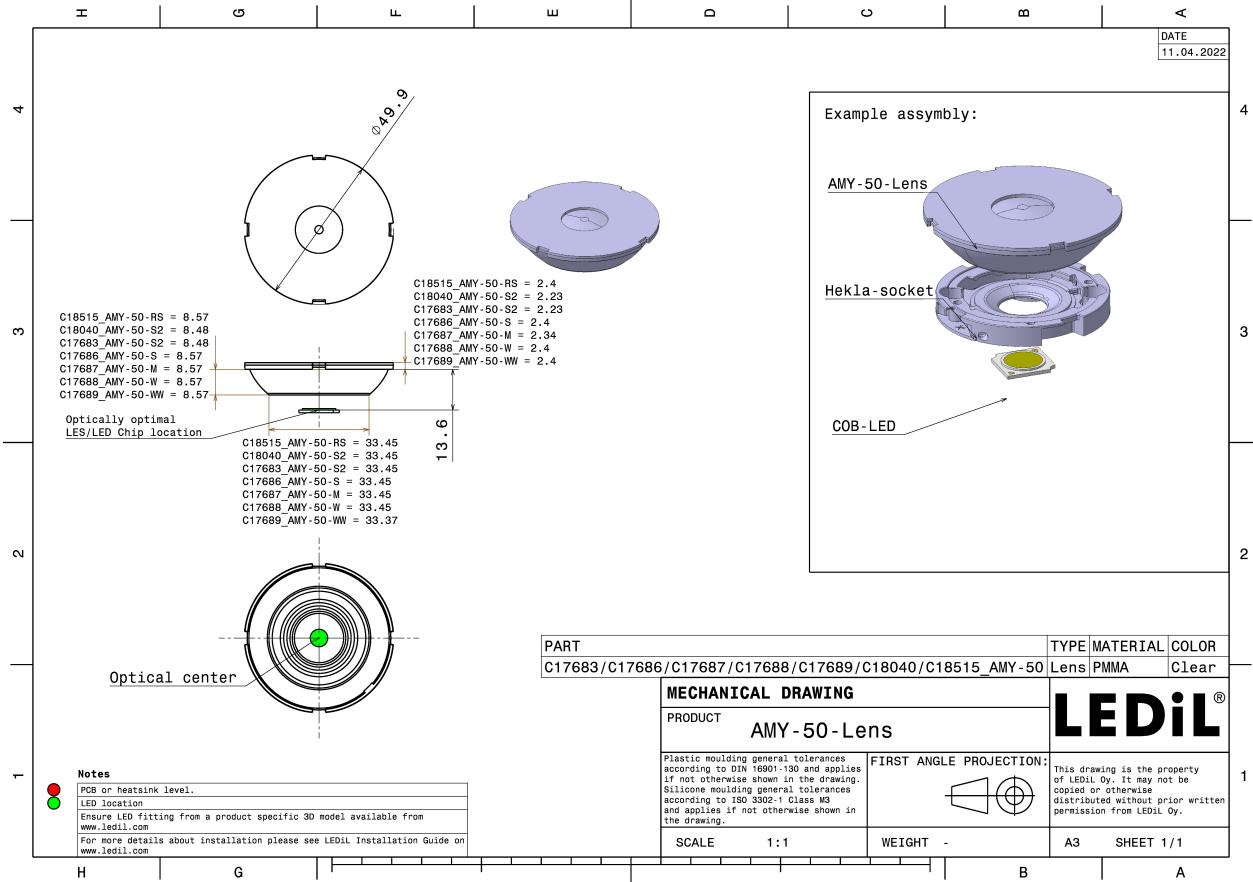
MATERIALS:

Component	Type	Material	Colour	Finish
AMY-50-RS	Single lens	PMMA	clear	



ORDERING INFORMATION:

Component	Qty in box	MOQ	MPQ	Box weight (kg)
C18515_AMY-50-RS » Box size: 480 x 280 x 300 mm	690	120	30	9.7

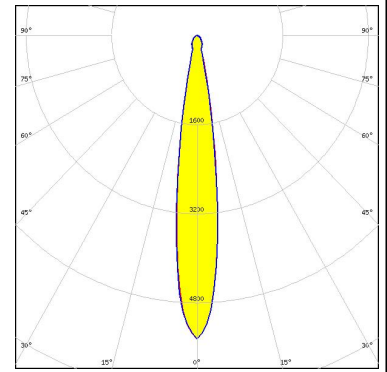


See also our general installation guide: www.ledil.com/installation_guide

OPTICAL RESULTS (SIMULATED):

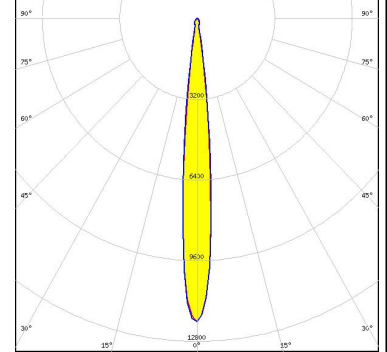
CITIZEN

LED CLL02x/CLU02x (LES10)
 FWHM / FWTM 16.0° / 29.0°
 Efficiency 87 %
 Peak intensity 5.4 cd/lm
 LEDs/each optic 1
 Light colour White
 Required components:



CITIZEN

LED CLU700/701/702/703
 FWHM / FWTM 11.0° / 20.0°
 Efficiency 88 %
 Peak intensity 12.1 cd/lm
 LEDs/each optic 1
 Light colour White
 Required components:
 F17435_HEKLA-G2-C



CITIZEN

LED CLU7B2
 FWHM / FWTM 8.0° / 14.0°
 Efficiency 84 %
 Peak intensity 21.7 cd/lm
 LEDs/each optic 1
 Light colour White
 Required components:
 F17435_HEKLA-G2-C

