

AMY-45-ZOOM

Infinitely adjustable beam from 20 to 50 degrees.

SPECIFICATION:

| | |
|----------------|-----------|
| Dimensions | Ø 47.0 mm |
| Height | 15.1 mm |
| ROHS compliant | yes ⓘ |

MATERIALS:

| Component | Type | Material | Colour | Finish |
|------------------------|-------------|----------|--------|--------|
| C18533_AMY-45-ZOOM-SUB | Single lens | PMMA | clear | |
| C18532_AMY-45-ZOOM | Single lens | PMMA | clear | |

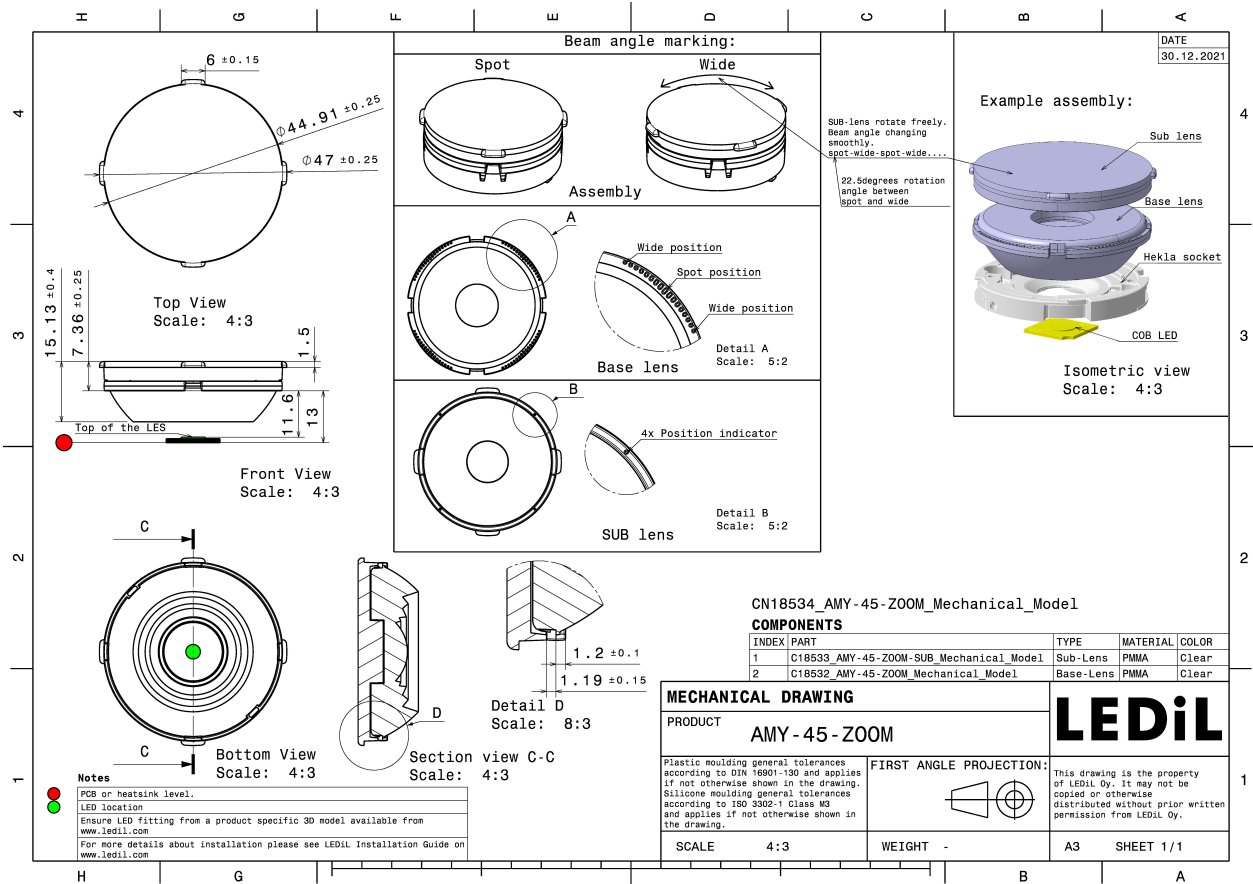
ORDERING INFORMATION:

Quantities for one set:

| | |
|-------------|---|
| Single lens | 2 |
|-------------|---|



| Component | | Qty in box | MOQ | MPQ | Box weight (kg) |
|--------------------------------|-------------|------------|-----|-----|-----------------|
| C18532_AMY-45-ZOOM | Single lens | 1035 | 180 | 45 | 12.1 |
| » Box size: 480 x 280 x 300 mm | | | | | |
| C18533_AMY-45-ZOOM-SUB | Single lens | 1035 | 180 | 45 | 7.2 |
| » Box size: 476 x 273 x 226 mm | | | | | |

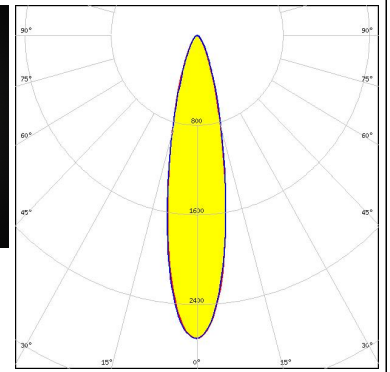


See also our general installation guide: www.ledil.com/installation_guide

OPTICAL RESULTS (MEASURED):

CITIZEN

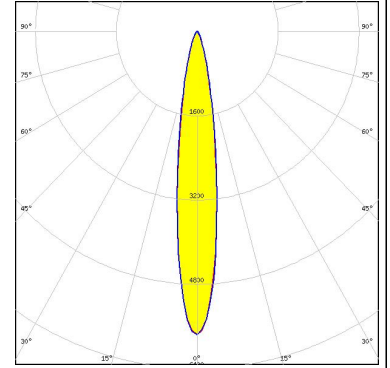
LED CLL02x/CLU02x (LES10)
FWHM / FWTM 23.0 + 52.0° / 50.0 + 88.0°
Efficiency 73 %
Peak intensity 2.7 cd/lm
LEDs/each optic 1
Light colour White
Required components:
F17435_HEKLA-G2-C



OPTICAL RESULTS (SIMULATED):

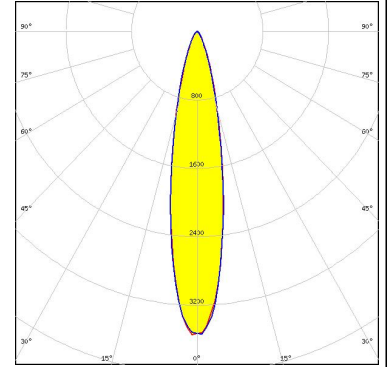
CITIZEN

LED CLU700/701/702/703
 FWHM / FWTM 15.5 + 50.7° / 36.0 + 82.0°
 Efficiency 80 %
 Peak intensity 5.8 cd/lm
 LEDs/each optic 1
 Light colour White
 Required components:
 F17435_HEKLA-G2-C



SAMSUNG

LED LC003D / LC006D / LC009D / LC013D
 FWHM / FWTM 20.5 + 51.2° / 45.0 + 86.0°
 Efficiency 78 %
 Peak intensity 3.6 cd/lm
 LEDs/each optic 1
 Light colour White
 Required components:
 F17435_HEKLA-G2-C



SAMSUNG

LED LC010C
 FWHM / FWTM 15.7 + 50.6° / 36.5 + 83.0°
 Efficiency 81 %
 Peak intensity 5.6 cd/lm
 LEDs/each optic 1
 Light colour White
 Required components:
 F17435_HEKLA-G2-C

