

### AMY-45-ZOOM

Infinitely adjustable beam from 20 to 50 degrees.

#### SPECIFICATION:

|                |           |
|----------------|-----------|
| Dimensions     | Ø 47.0 mm |
| Height         | 15.1 mm   |
| ROHS compliant | yes ⓘ     |

#### MATERIALS:

| Component              | Type        | Material | Colour | Finish |
|------------------------|-------------|----------|--------|--------|
| C18533_AMY-45-ZOOM-SUB | Single lens | PMMA     | clear  |        |
| C18532_AMY-45-ZOOM     | Single lens | PMMA     | clear  |        |

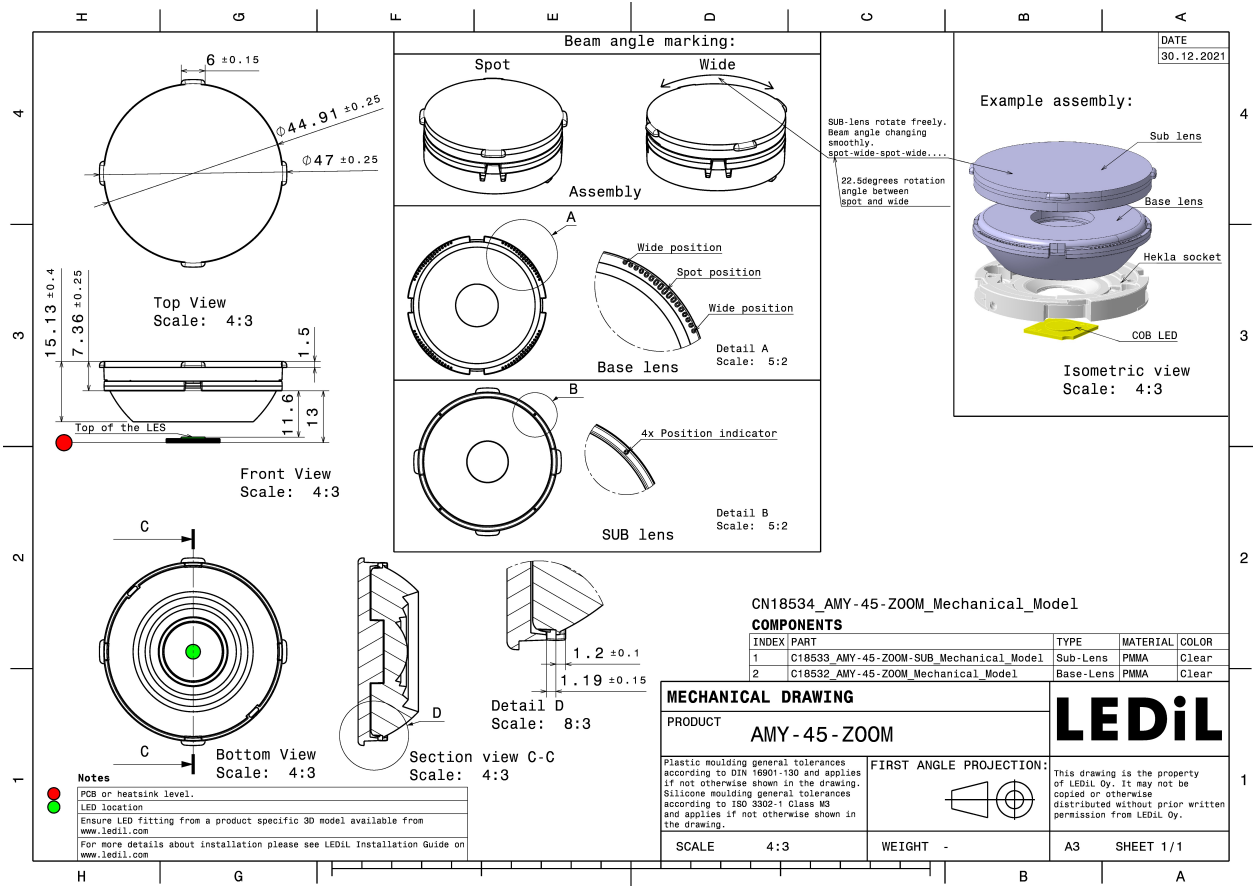
#### ORDERING INFORMATION:

##### Quantities for one set:

|             |   |
|-------------|---|
| Single lens | 2 |
|-------------|---|



| Component                      |             | Qty in box | MOQ | MPQ | Box weight (kg) |
|--------------------------------|-------------|------------|-----|-----|-----------------|
| C18532_AMY-45-ZOOM             | Single lens | 1035       | 180 | 45  | 12.1            |
| » Box size: 480 x 280 x 300 mm |             |            |     |     |                 |
| C18533_AMY-45-ZOOM-SUB         | Single lens | 1035       | 180 | 45  | 7.2             |
| » Box size: 476 x 273 x 226 mm |             |            |     |     |                 |

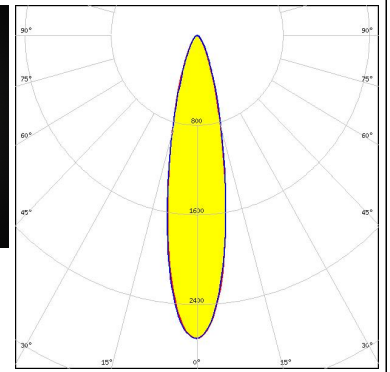
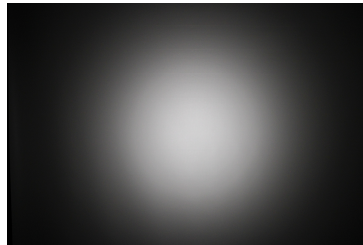


See also our general installation guide: [www.ledil.com/installation\\_guide](http://www.ledil.com/installation_guide)

### OPTICAL RESULTS (MEASURED):

#### CITIZEN

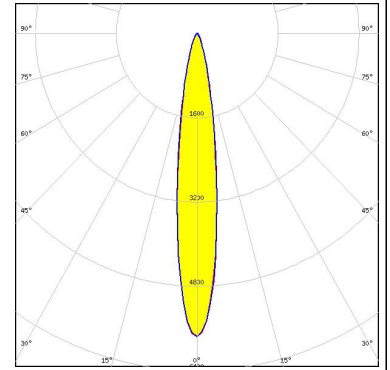
LED CLL02x/CLU02x (LES10)  
FWHM / FWTM 23.0 + 52.0° / 50.0 + 88.0°  
Efficiency 73 %  
Peak intensity 2.7 cd/lm  
LEDs/each optic 1  
Light colour White  
Required components:  
F17435\_HEKLA-G2-C



### OPTICAL RESULTS (SIMULATED):

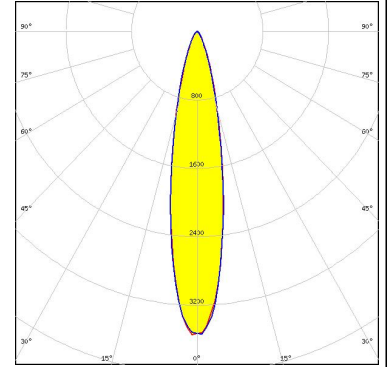
#### CITIZEN

LED CLU700/701/702/703  
FWHM / FWTM 15.5 + 50.7° / 36.0 + 82.0°  
Efficiency 80 %  
Peak intensity 5.8 cd/lm  
LEDs/each optic 1  
Light colour White  
Required components:  
F17435\_HEKLA-G2-C



#### SAMSUNG

LED LC003D / LC006D / LC009D / LC013D  
FWHM / FWTM 20.5 + 51.2° / 45.0 + 86.0°  
Efficiency 78 %  
Peak intensity 3.6 cd/lm  
LEDs/each optic 1  
Light colour White  
Required components:  
F17435\_HEKLA-G2-C



#### SAMSUNG

LED LC010C  
FWHM / FWTM 15.7 + 50.6° / 36.5 + 83.0°  
Efficiency 81 %  
Peak intensity 5.6 cd/lm  
LEDs/each optic 1  
Light colour White  
Required components:  
F17435\_HEKLA-G2-C

