

### Analog Peripherals

- **10-Bit ADC (C8051F310/1/2/3/6 only)**
  - Up to 200 ksp/s
  - Up to 21, 17, or 13 external single-ended or differential inputs
  - VREF from external pin or V<sub>DD</sub>
  - Built-in temperature sensor
  - External conversion start input
- **Comparators**
  - Programmable hysteresis and response time
  - Configurable as interrupt or reset source (Comparator0)
  - Low current (< 0.5 μA)

### On-Chip Debug

- On-chip debug circuitry facilitates full speed, non-intrusive in-system debug (no emulator required)
- Provides breakpoints, single stepping, inspect/modify memory and registers
- Superior performance to emulation systems using ICE-Chips, target pods, and sockets
- Complete development kit

### Supply Voltage 2.7 to 3.6 V

- Typical operating current: 5 mA at 25 MHz;  
11 μA at 32 kHz
- Typical stop mode current: 0.1 μA
- Temperature range: -40 to +85 °C

### High Speed 8051 μC Core

- Pipelined instruction architecture; executes 70% of instructions in 1 or 2 system clocks
- Up to 25 MIPS throughput with 25 MHz clock
- Expanded interrupt handler

### Memory

- 1280 bytes internal data RAM (1024 + 256)
- 16 kB (C8051F310/1/6/7) or 8 kB (C8051F312/3/4/5) Flash; In-system programmable in 512-byte sectors

### Digital Peripherals

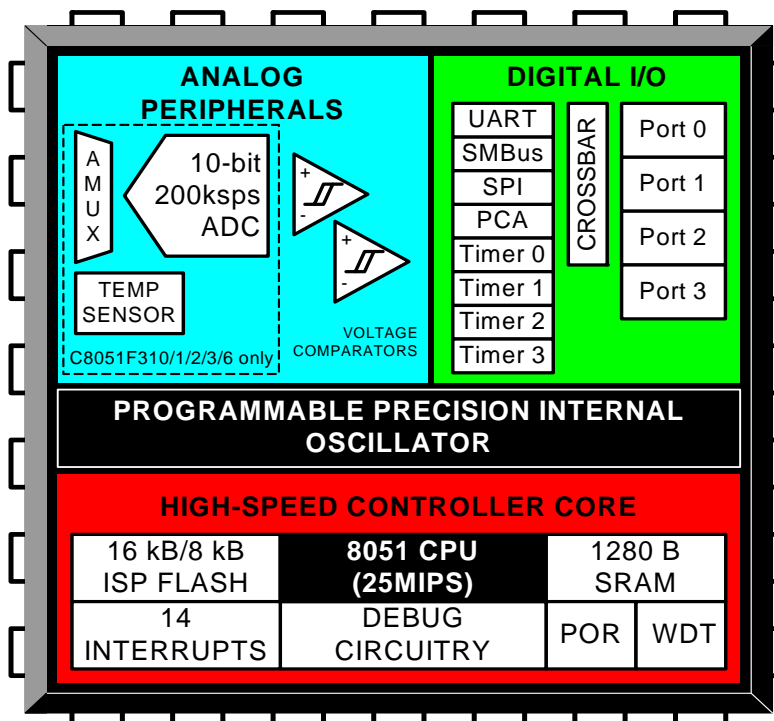
- 29/25/21 Port I/O; All 5 V tolerant with high sink current
- Hardware enhanced UART, SMBus™, and SPI™ serial ports
- Four general purpose 16-bit counter/timers
- 16-bit programmable counter array (PCA) with five capture/compare modules
- Real time clock capability using PCA or timer and external clock source

### Clock Sources

- Internal oscillator: 24.5 MHz with ±2% accuracy supports crystal-less UART operation
- External oscillator: Crystal, RC, C, or clock (1 or 2 pin modes)
- Can switch between clock sources on-the-fly; useful in power saving modes

### Packages

- 32-pin LQFP (C8051F310/2/4)
- 28-pin QFN (C8051F311/3/5)
- 24-pin QFN (C8051F316/7)



# C8051F310/1/2/3/4/5/6/7

---

**NOTES:**

## Table Of Contents

<b>1. System Overview</b>	<b>17</b>
1.1. CIP-51™ Microcontroller Core	27
1.1.1. Fully 8051 Compatible	27
1.1.2. Improved Throughput	27
1.1.3. Additional Features	28
1.2. On-Chip Memory	29
1.3. On-Chip Debug Circuitry	30
1.4. Programmable Digital I/O and Crossbar	31
1.5. Serial Ports	32
1.6. Programmable Counter Array	32
1.7. 12-Bit Analog to Digital Converter	33
1.8. Comparators	34
<b>2. Absolute Maximum Ratings</b>	<b>35</b>
<b>3. Global DC Electrical Characteristics</b>	<b>36</b>
<b>4. Pinout and Package Definitions</b>	<b>39</b>
<b>5. 12-Bit ADC (ADC0, C8051F310/1/2/3/6 only)</b>	<b>51</b>
5.1. Analog Multiplexer	51
5.2. Temperature Sensor	52
5.3. Modes of Operation	54
5.3.1. Starting a Conversion	54
5.3.2. Tracking Modes	55
5.3.3. Settling Time Requirements	56
5.4. Programmable Window Detector	61
5.4.1. Window Detector In Single-Ended Mode	63
5.4.2. Window Detector In Differential Mode	64
<b>6. Voltage Reference (C8051F310/1/2/3/6 only)</b>	<b>67</b>
<b>7. Comparators</b>	<b>69</b>
<b>8. CIP-51 Microcontroller</b>	<b>79</b>
8.1. Instruction Set	80
8.1.1. Instruction and CPU Timing	80
8.1.2. MOVX Instruction and Program Memory	81
8.2. Memory Organization	85
8.2.1. Program Memory	85
8.2.2. Data Memory	86
8.2.3. General Purpose Registers	86
8.2.4. Bit Addressable Locations	86
8.2.5. Stack	86
8.2.6. Special Function Registers	87
8.2.7. Register Descriptions	90
8.3. Interrupt Handler	93
8.3.1. MCU Interrupt Sources and Vectors	94
8.3.2. External Interrupts	95
8.3.3. Interrupt Priorities	95

# C8051F310/1/2/3/4/5/6/7

---

8.3.4. Interrupt Latency .....	95
8.3.5. Interrupt Register Descriptions.....	97
8.4. Power Management Modes .....	102
8.4.1. Idle Mode.....	102
8.4.2. Stop Mode .....	103
<b>9. Reset Sources.....</b>	<b>105</b>
9.1. Power-On Reset .....	106
9.2. Power-Fail Reset / VDD Monitor.....	106
9.3. External Reset .....	107
9.4. Missing Clock Detector Reset.....	108
9.5. Comparator0 Reset.....	108
9.6. PCA Watchdog Timer Reset.....	108
9.7. Flash Error Reset.....	108
9.8. Software Reset .....	108
<b>10. Flash Memory .....</b>	<b>111</b>
10.1. Programming The Flash Memory .....	111
10.1.1. Flash Lock and Key Functions.....	111
10.1.2. Flash Erase Procedure .....	111
10.1.3. Flash Write Procedure .....	112
10.2. Non-volatile Data Storage .....	112
10.3. Security Options .....	113
10.4. Flash Write and Erase Guidelines .....	115
10.4.1. V <sub>DD</sub> Maintenance and the V <sub>DD</sub> Monitor .....	115
10.4.2. PSWE Maintenance .....	115
10.4.3. System Clock .....	116
<b>11. External RAM .....</b>	<b>119</b>
<b>12. Oscillators .....</b>	<b>121</b>
12.1. Programmable Internal Oscillator .....	121
12.2. External Oscillator Drive Circuit.....	124
12.3. System Clock Selection.....	124
12.4. External Crystal Example .....	126
12.5. External RC Example .....	127
12.6. External Capacitor Example .....	127
<b>13. Port Input/Output .....</b>	<b>129</b>
13.1. Priority Crossbar Decoder .....	131
13.2. Port I/O Initialization .....	133
13.3. General Purpose Port I/O .....	135
<b>14. SMBus .....</b>	<b>145</b>
14.1. Supporting Documents.....	146
14.2. SMBus Configuration.....	146
14.3. SMBus Operation .....	146
14.3.1. Arbitration.....	147
14.3.2. Clock Low Extension.....	148
14.3.3. SCL Low Timeout.....	148
14.3.4. SCL High (SMBus Free) Timeout .....	148

---

---

14.4.Using the SMBus.....	149
14.4.1.SMBus Configuration Register.....	150
14.4.2.SMB0CN Control Register .....	153
14.4.3.Data Register .....	156
14.5.SMBus Transfer Modes.....	157
14.5.1.Master Transmitter Mode .....	157
14.5.2.Master Receiver Mode .....	158
14.5.3.Slave Receiver Mode .....	159
14.5.4.Slave Transmitter Mode .....	160
14.6.SMBus Status Decoding.....	161
<b>15. UART0.....</b>	<b>163</b>
15.1.Enhanced Baud Rate Generation.....	164
15.2.Operational Modes .....	165
15.2.1.8-Bit UART .....	165
15.2.2.9-Bit UART .....	166
15.3.Multiprocessor Communications .....	167
<b>16. Enhanced Serial Peripheral Interface (SPI0).....</b>	<b>173</b>
16.1.Signal Descriptions.....	174
16.1.1.Master Out, Slave In (MOSI).....	174
16.1.2.Master In, Slave Out (MISO).....	174
16.1.3.Serial Clock (SCK) .....	174
16.1.4.Slave Select (NSS) .....	174
16.2.SPI0 Master Mode Operation .....	175
16.3.SPI0 Slave Mode Operation .....	177
16.4.SPI0 Interrupt Sources .....	177
16.5.Serial Clock Timing.....	178
16.6.SPI Special Function Registers .....	180
<b>17. Timers .....</b>	<b>187</b>
17.1.Timer 0 and Timer 1 .....	187
17.1.1.Mode 0: 13-bit Counter/Timer .....	187
17.1.2.Mode 1: 16-bit Counter/Timer .....	189
17.1.3.Mode 2: 8-bit Counter/Timer with Auto-Reload.....	189
17.1.4.Mode 3: Two 8-bit Counter/Timers (Timer 0 Only).....	190
17.2.Timer 2 .....	195
17.2.1.16-bit Timer with Auto-Reload.....	195
17.2.2.8-bit Timers with Auto-Reload.....	196
17.3.Timer 3 .....	199
17.3.1.16-bit Timer with Auto-Reload.....	199
17.3.2.8-bit Timers with Auto-Reload.....	200
<b>18. Programmable Counter Array .....</b>	<b>203</b>
18.1.PCA Counter/Timer .....	204
18.2.Capture/Compare Modules .....	205
18.2.1.Edge-triggered Capture Mode.....	206
18.2.2.Software Timer (Compare) Mode.....	207

---

# C8051F310/1/2/3/4/5/6/7

---

18.2.3.High-Speed Output Mode .....	208
18.2.4.Frequency Output Mode .....	209
18.2.5.8-Bit Pulse Width Modulator Mode.....	210
18.2.6.16-Bit Pulse Width Modulator Mode.....	211
18.3.Watchdog Timer Mode .....	212
18.3.1.Watchdog Timer Operation .....	212
18.3.2.Watchdog Timer Usage .....	213
18.4.Register Descriptions for PCA.....	215
<b>19.Revision Specific Behavior .....</b>	<b>221</b>
19.1.Revision Identification.....	221
19.2.Reset Behavior .....	221
19.2.1.Weak Pullups on <u>GPIO Pins</u> .....	221
19.2.2.VDD Monitor and the RST Pin .....	221
19.3.PCA Counter .....	222
<b>20.C2 Interface .....</b>	<b>223</b>
20.1.C2 Interface Registers.....	223
20.2.C2 Pin Sharing .....	225
<b>Document Change List.....</b>	<b>226</b>
<b>Contact Information.....</b>	<b>228</b>

---

## List of Figures

### 1. System Overview

Figure 1.1. C8051F310 Block Diagram .....	19
Figure 1.2. C8051F311 Block Diagram .....	20
Figure 1.3. C8051F312 Block Diagram .....	21
Figure 1.4. C8051F313 Block Diagram .....	22
Figure 1.5. C8051F314 Block Diagram .....	23
Figure 1.6. C8051F315 Block Diagram .....	24
Figure 1.7. C8051F316 Block Diagram .....	25
Figure 1.8. C8051F317 Block Diagram .....	26
Figure 1.9. Comparison of Peak MCU Execution Speeds .....	27
Figure 1.10. On-Chip Clock and Reset.....	28
Figure 1.11. On-Board Memory Map.....	29
Figure 1.12. Development/In-System Debug Diagram.....	30
Figure 1.13. Digital Crossbar Diagram .....	31
Figure 1.14. PCA Block Diagram.....	32
Figure 1.15. 12-Bit ADC Block Diagram.....	33
Figure 1.16. Comparator0 Block Diagram.....	34

### 2. Absolute Maximum Ratings

### 3. Global DC Electrical Characteristics

### 4. Pinout and Package Definitions

Figure 4.1. LQFP-32 Pinout Diagram (Top View) .....	41
Figure 4.2. LQFP-32 Package Diagram.....	42
Figure 4.3. Typical LQFP-32 Landing Diagram.....	43
Figure 4.4. QFN-28 Pinout Diagram (Top View) .....	44
Figure 4.5. QFN-28 Package Drawing .....	45
Figure 4.6. Typical QFN-28 Landing Diagram.....	46
Figure 4.7. QFN-24 Pinout Diagram (Top View) .....	47
Figure 4.8. QFN-24 Package Drawing .....	48
Figure 4.9. Typical QFN-24 Landing Diagram.....	49
Figure 4.10. QFN-24 Solder Paste Recommendation.....	50

### 5. 12-Bit ADC (ADC0, C8051F310/1/2/3/6 only)

Figure 5.1. ADC0 Functional Block Diagram.....	51
Figure 5.2. Typical Temperature Sensor Transfer Function.....	52
Figure 5.3. Temperature Sensor Error with 1-Point Calibration .....	53
Figure 5.4. 12-Bit ADC Track and Conversion Example Timing .....	55
Figure 5.5. ADC0 Equivalent Input Circuits.....	56
Figure 5.6. ADC Window Compare Example: Right-Justified Single-Ended Data ...	63
Figure 5.7. ADC Window Compare Example: Left-Justified Single-Ended Data .....	63
Figure 5.8. ADC Window Compare Example: Right-Justified Differential Data .....	64
Figure 5.9. ADC Window Compare Example: Left-Justified Differential Data .....	64

### 6. Voltage Reference (C8051F310/1/2/3/6 only)

Figure 6.1. Voltage Reference Functional Block Diagram .....	67
--	----

# C8051F310/1/2/3/4/5/6/7

---

<b>7. Comparators</b>	
Figure 7.1. Comparator0 Functional Block Diagram .....	69
Figure 7.2. Comparator1 Functional Block Diagram .....	70
Figure 7.3. Comparator Hysteresis Plot .....	71
<b>8. CIP-51 Microcontroller</b>	
Figure 8.1. CIP-51 Block Diagram.....	79
Figure 8.2. Memory Map .....	85
<b>9. Reset Sources</b>	
Figure 9.1. Reset Sources.....	105
Figure 9.2. Power-On and VDD Monitor Reset Timing .....	106
<b>10. Flash Memory</b>	
Figure 10.1. Flash Program Memory Map.....	113
<b>11. External RAM</b>	
<b>12. Oscillators</b>	
Figure 12.1. Oscillator Diagram.....	121
Figure 12.2. 32.768 kHz External Crystal Example.....	126
<b>13. Port Input/Output</b>	
Figure 13.1. Port I/O Functional Block Diagram .....	129
Figure 13.2. Port I/O Cell Block Diagram .....	130
Figure 13.3. Crossbar Priority Decoder with No Pins Skipped.....	131
Figure 13.4. Crossbar Priority Decoder with Crystal Pins Skipped .....	132
<b>14. SMBus</b>	
Figure 14.1. SMBus Block Diagram .....	145
Figure 14.2. Typical SMBus Configuration .....	146
Figure 14.3. SMBus Transaction .....	147
Figure 14.4. Typical SMBus SCL Generation.....	151
Figure 14.5. Typical Master Transmitter Sequence.....	157
Figure 14.6. Typical Master Receiver Sequence.....	158
Figure 14.7. Typical Slave Receiver Sequence.....	159
Figure 14.8. Typical Slave Transmitter Sequence.....	160
<b>15. UART0</b>	
Figure 15.1. UART0 Block Diagram .....	163
Figure 15.2. UART0 Baud Rate Logic.....	164
Figure 15.3. UART Interconnect Diagram .....	165
Figure 15.4. 8-Bit UART Timing Diagram.....	165
Figure 15.5. 9-Bit UART Timing Diagram.....	166
Figure 15.6. UART Multi-Processor Mode Interconnect Diagram .....	167
<b>16. Enhanced Serial Peripheral Interface (SPI0)</b>	
Figure 16.1. SPI Block Diagram .....	173
Figure 16.2. Multiple-Master Mode Connection Diagram .....	176
Figure 16.3. 3-Wire Single Master and Slave Mode Connection Diagram .....	176
Figure 16.4. 4-Wire Single Master and Slave Mode Connection Diagram .....	176
Figure 16.5. Master Mode Data/Clock Timing.....	178
Figure 16.6. Slave Mode Data/Clock Timing (CKPHA = 0) .....	179
Figure 16.7. Slave Mode Data/Clock Timing (CKPHA = 1) .....	179

---



---

Figure 16.8. SPI Master Timing (CKPHA = 0).....	183
Figure 16.9. SPI Master Timing (CKPHA = 1).....	183
Figure 16.10. SPI Slave Timing (CKPHA = 0).....	184
Figure 16.11. SPI Slave Timing (CKPHA = 1).....	184
<b>17. Timers</b>	
Figure 17.1. T0 Mode 0 Block Diagram.....	188
Figure 17.2. T0 Mode 2 Block Diagram.....	189
Figure 17.3. T0 Mode 3 Block Diagram.....	190
Figure 17.4. Timer 2 16-Bit Mode Block Diagram .....	195
Figure 17.5. Timer 2 8-Bit Mode Block Diagram .....	196
Figure 17.6. Timer 3 16-Bit Mode Block Diagram .....	199
Figure 17.7. Timer 3 8-Bit Mode Block Diagram .....	200
<b>18. Programmable Counter Array</b>	
Figure 18.1. PCA Block Diagram.....	203
Figure 18.2. PCA Counter/Timer Block Diagram.....	204
Figure 18.3. PCA Interrupt Block Diagram .....	205
Figure 18.4. PCA Capture Mode Diagram.....	206
Figure 18.5. PCA Software Timer Mode Diagram .....	207
Figure 18.6. PCA High Speed Output Mode Diagram.....	208
Figure 18.7. PCA Frequency Output Mode .....	209
Figure 18.8. PCA 8-Bit PWM Mode Diagram .....	210
Figure 18.9. PCA 16-Bit PWM Mode.....	211
Figure 18.10. PCA Module 4 with Watchdog Timer Enabled .....	212
<b>19. Revision Specific Behavior</b>	
Figure 19.1. Reading Package Marking .....	221
<b>20. C2 Interface</b>	
Figure 20.1. Typical C2 Pin Sharing.....	225

# C8051F310/1/2/3/4/5/6/7

---

NOTES:

---

## List of Tables

<b>1. System Overview</b>	
Table 1.1. Product Selection Guide .....	18
<b>2. Absolute Maximum Ratings</b>	
Table 2.1. Absolute Maximum Ratings* .....	35
<b>3. Global DC Electrical Characteristics</b>	
Table 3.1. Global DC Electrical Characteristics .....	36
Table 3.2. Electrical Characteristics Quick Reference .....	38
<b>4. Pinout and Package Definitions</b>	
Table 4.1. Pin Definitions for the C8051F31x .....	39
Table 4.2. LQFP-32 Package Dimensions .....	42
Table 4.3. LQFP-32 Landing Pattern Dimensions .....	43
Table 4.4. QFN-28 Package Dimensions .....	45
Table 4.5. QFN-28 Landing Pattern Dimensions .....	46
Table 4.6. QFN-24 Package Dimensions .....	48
<b>5. 12-Bit ADC (ADC0, C8051F310/1/2/3/6 only)</b>	
Table 5.1. ADC0 Electrical Characteristics .....	65
<b>6. Voltage Reference (C8051F310/1/2/3/6 only)</b>	
Table 6.1. External Voltage Reference Circuit Electrical Characteristics .....	68
<b>7. Comparators</b>	
Table 7.1. Comparator Electrical Characteristics .....	78
<b>8. CIP-51 Microcontroller</b>	
Table 8.1. CIP-51 Instruction Set Summary .....	81
Table 8.2. Special Function Register (SFR) Memory Map .....	87
Table 8.3. Special Function Registers .....	88
Table 8.4. Interrupt Summary .....	96
<b>9. Reset Sources</b>	
Table 9.1. Reset Electrical Characteristics .....	110
<b>10. Flash Memory</b>	
Table 10.1. Flash Electrical Characteristics .....	112
Table 10.2. Flash Security Summary .....	114
<b>11. External RAM</b>	
<b>12. Oscillators</b>	
Table 12.1. Internal Oscillator Electrical Characteristics .....	123
<b>13. Port Input/Output</b>	
Table 13.1. Port I/O DC Electrical Characteristics .....	143
<b>14. SMBus</b>	
Table 14.1. SMBus Clock Source Selection .....	150
Table 14.2. Minimum SDA Setup and Hold Times .....	151

# C8051F310/1/2/3/4/5/6/7

---

Table 14.3. Sources for Hardware Changes to SMB0CN .....	155
Table 14.4. SMBus Status Decoding .....	161
<b>15. UART0</b>	
Table 15.1. Timer Settings for Standard Baud Rates Using the Internal Oscillator .....	170
Table 15.2. Timer Settings for Standard Baud Rates Using an External 25 MHz Oscillator .....	170
Table 15.3. Timer Settings for Standard Baud Rates Using an External 22.1184 MHz Oscillator .....	171
Table 15.4. Timer Settings for Standard Baud Rates Using an External 18.432 MHz Oscillator .....	171
Table 15.5. Timer Settings for Standard Baud Rates Using an External 11.0592 MHz Oscillator .....	172
Table 15.6. Timer Settings for Standard Baud Rates Using an External 3.6864 MHz Oscillator .....	172
<b>16. Enhanced Serial Peripheral Interface (SPI0)</b>	
Table 16.1. SPI Slave Timing Parameters .....	185
<b>17. Timers</b>	
<b>18. Programmable Counter Array</b>	
Table 18.1. PCA Timebase Input Options .....	204
Table 18.2. PCA0CPM Register Settings for PCA Capture/Compare Modules ....	205
Table 18.3. Watchdog Timer Timeout Intervals <sup>1</sup> .....	214
<b>19. Revision Specific Behavior</b>	
<b>20. C2 Interface</b>	

## List of Registers

SFR Definition 5.1. AMX0P: AMUX0 Positive Channel Select	57
SFR Definition 5.2. AMX0N: AMUX0 Negative Channel Select	58
SFR Definition 5.3. ADC0CF: ADC0 Configuration	59
SFR Definition 5.4. ADC0H: ADC0 Data Word MSB	59
SFR Definition 5.5. ADC0L: ADC0 Data Word LSB	59
SFR Definition 5.6. ADC0CN: ADC0 Control	60
SFR Definition 5.7. ADC0GTH: ADC0 Greater-Than Data High Byte	61
SFR Definition 5.8. ADC0GTL: ADC0 Greater-Than Data Low Byte	61
SFR Definition 5.9. ADC0LTH: ADC0 Less-Than Data High Byte	62
SFR Definition 5.10. ADC0LTL: ADC0 Less-Than Data Low Byte	62
SFR Definition 6.1. REF0CN: Reference Control	68
SFR Definition 7.1. CPT0CN: Comparator0 Control	72
SFR Definition 7.2. CPT0MX: Comparator0 MUX Selection	73
SFR Definition 7.3. CPT0MD: Comparator0 Mode Selection	74
SFR Definition 7.4. CPT1CN: Comparator1 Control	75
SFR Definition 7.5. CPT1MX: Comparator1 MUX Selection	76
SFR Definition 7.6. CPT1MD: Comparator1 Mode Selection	77
SFR Definition 8.1. DPL: Data Pointer Low Byte	90
SFR Definition 8.2. DPH: Data Pointer High Byte	91
SFR Definition 8.3. SP: Stack Pointer	91
SFR Definition 8.4. PSW: Program Status Word	92
SFR Definition 8.5. ACC: Accumulator	92
SFR Definition 8.6. B: B Register	93
SFR Definition 8.7. IE: Interrupt Enable	97
SFR Definition 8.8. IP: Interrupt Priority	98
SFR Definition 8.9. EIE1: Extended Interrupt Enable 1	99
SFR Definition 8.10. EIP1: Extended Interrupt Priority 1	100
SFR Definition 8.11. IT01CF: INT0/INT1 Configuration	101
SFR Definition 8.12. PCON: Power Control	103
SFR Definition 9.1. VDM0CN: VDD Monitor Control	107
SFR Definition 9.2. RSTSRC: Reset Source	109
SFR Definition 10.1. PSCTL: Program Store R/W Control	116
SFR Definition 10.2. FLKEY: Flash Lock and Key	117
SFR Definition 10.3. FLSCCL: Flash Scale	117
SFR Definition 11.1. EMI0CN: External Memory Interface Control	119
SFR Definition 12.1. OSCICL: Internal Oscillator Calibration	122
SFR Definition 12.2. OSCICN: Internal Oscillator Control	122
SFR Definition 12.3. CLKSEL: Clock Select	123
SFR Definition 12.4. OSCXCN: External Oscillator Control	125
SFR Definition 13.1. XBR0: Port I/O Crossbar Register 0	134
SFR Definition 13.2. XBR1: Port I/O Crossbar Register 1	135
SFR Definition 13.3. P0: Port0	136
SFR Definition 13.4. P0MDIN: Port0 Input Mode	136

# C8051F310/1/2/3/4/5/6/7

---

SFR Definition 13.5. P0MDOUT: Port0 Output Mode	137
SFR Definition 13.6. P0SKIP: Port0 Skip	137
SFR Definition 13.7. P1: Port1	138
SFR Definition 13.8. P1MDIN: Port1 Input Mode	138
SFR Definition 13.9. P1MDOUT: Port1 Output Mode	139
SFR Definition 13.10. P1SKIP: Port1 Skip	139
SFR Definition 13.11. P2: Port2	140
SFR Definition 13.12. P2MDIN: Port2 Input Mode	140
SFR Definition 13.13. P2MDOUT: Port2 Output Mode	141
SFR Definition 13.14. P2SKIP: Port2 Skip	141
SFR Definition 13.15. P3: Port3	142
SFR Definition 13.16. P3MDIN: Port3 Input Mode	142
SFR Definition 13.17. P3MDOUT: Port3 Output Mode	143
SFR Definition 14.1. SMB0CF: SMBus Clock/Configuration	152
SFR Definition 14.2. SMB0CN: SMBus Control	154
SFR Definition 14.3. SMB0DAT: SMBus Data	156
SFR Definition 15.1. SCON0: Serial Port 0 Control	168
SFR Definition 15.2. SBUF0: Serial (UART0) Port Data Buffer	169
SFR Definition 16.1. SPI0CFG: SPI0 Configuration	180
SFR Definition 16.2. SPI0CN: SPI0 Control	181
SFR Definition 16.3. SPI0CKR: SPI0 Clock Rate	182
SFR Definition 16.4. SPI0DAT: SPI0 Data	182
SFR Definition 17.1. TCON: Timer Control	191
SFR Definition 17.2. TMOD: Timer Mode	192
SFR Definition 17.3. CKCON: Clock Control	193
SFR Definition 17.4. TL0: Timer 0 Low Byte	194
SFR Definition 17.5. TL1: Timer 1 Low Byte	194
SFR Definition 17.6. TH0: Timer 0 High Byte	194
SFR Definition 17.7. TH1: Timer 1 High Byte	194
SFR Definition 17.8. TMR2CN: Timer 2 Control	197
SFR Definition 17.9. TMR2RLL: Timer 2 Reload Register Low Byte	198
SFR Definition 17.10. TMR2RLH: Timer 2 Reload Register High Byte	198
SFR Definition 17.11. TMR2L: Timer 2 Low Byte	198
SFR Definition 17.12. TMR2H: Timer 2 High Byte	198
SFR Definition 17.13. TMR3CN: Timer 3 Control	201
SFR Definition 17.14. TMR3RLL: Timer 3 Reload Register Low Byte	202
SFR Definition 17.15. TMR3RLH: Timer 3 Reload Register High Byte	202
SFR Definition 17.16. TMR3L: Timer 3 Low Byte	202
SFR Definition 17.17. TMR3H: Timer 3 High Byte	202
SFR Definition 18.1. PCA0CN: PCA Control	215
SFR Definition 18.2. PCA0MD: PCA Mode	216
SFR Definition 18.3. PCA0CPMn: PCA Capture/Compare Mode Registers	217
SFR Definition 18.4. PCA0L: PCA Counter/Timer Low Byte	218
SFR Definition 18.5. PCA0H: PCA Counter/Timer High Byte	218
SFR Definition 18.6. PCA0CPLn: PCA Capture Module Low Byte	218

---

# C8051F310/1/2/3/4/5/6/7

---

SFR Definition 18.7. PCA0CPHn: PCA Capture Module High Byte .....	219
C2 Register Definition 20.1. C2ADD: C2 Address .....	223
C2 Register Definition 20.2. DEVICEID: C2 Device ID .....	223
C2 Register Definition 20.3. REVID: C2 Revision ID .....	224
C2 Register Definition 20.4. FPCTL: C2 Flash Programming Control .....	224
C2 Register Definition 20.5. FPDAT: C2 Flash Programming Data .....	224

# C8051F310/1/2/3/4/5/6/7

---

**NOTES:**



---

## 1. System Overview

C8051F31x devices are fully integrated mixed-signal System-on-a-Chip MCUs. Highlighted features are listed below. Refer to Table 1.1 for specific product feature selection.

- High-speed pipelined 8051-compatible microcontroller core (up to 25 MIPS)
- In-system, full-speed, non-intrusive debug interface (on-chip)
- True 12-bit 200 ksps 25-channel single-ended/differential ADC with analog multiplexer (C8051F310/1/2/3/6)
- Precision programmable 25 MHz internal oscillator
- 16k kB (C8051F310/1/6/7) or 8 kB (C8051F312/3/4/5) of on-chip Flash memory
- 1280 bytes of on-chip RAM
- SMBus/I2C, Enhanced UART, and Enhanced SPI serial interfaces implemented in hardware
- Four general-purpose 16-bit timers
- Programmable Counter/Timer Array (PCA) with five capture/compare modules and Watchdog Timer function
- On-chip Power-On Reset,  $V_{DD}$  Monitor, and Temperature Sensor
- On-chip Voltage Comparators (2)
- 29/25/21 Port I/O (5 V tolerant)

With on-chip Power-On Reset,  $V_{DD}$  monitor, Watchdog Timer, and clock oscillator, the C8051F31x devices are truly stand-alone System-on-a-Chip solutions. The Flash memory can be reprogrammed even in-circuit, providing non-volatile data storage, and also allowing field upgrades of the 8051 firmware. User software has complete control of all peripherals, and may individually shut down any or all peripherals for power savings.

The on-chip Silicon Labs 2-Wire (C2) Development Interface allows non-intrusive (uses no on-chip resources), full speed, in-circuit debugging using the production MCU installed in the final application. This debug logic supports inspection and modification of memory and registers, setting breakpoints, single stepping, run and halt commands. All analog and digital peripherals are fully functional while debugging using C2. The two C2 interface pins can be shared with user functions, allowing in-system programming and debugging without occupying package pins.

Each device is specified for 2.7-to-3.6 V operation over the industrial temperature range ( $-45$  to  $+85$  °C). The Port I/O and RST pins are tolerant of input signals up to 5 V. The C8051F31x are available in 32-pin LQFP, 28-pin QFN, and 24-pin QFN packages. See Table 1.1 for ordering part numbers. Note: QFN packages are also referred to as MLP or MLF packages.

# C8051F310/1/2/3/4/5/6/7

**Table 1.1. Product Selection Guide**

Ordering Part Number	MIPS (Peak)	Flash Memory	RAM	Calibrated Internal 24.5 MHz Oscillator	SMBus/I2C	Enhanced SPI	UART	Timers (16-bit)	Programmable Counter Array	Digital Port I/Os	10-bit 200 ksps ADC	Temperature Sensor	Analog Comparators	Lead-free (RoHS Compliant)	Package
C8051F310	25	16	1280	✓	✓	✓	✓	✓	✓	29	✓	✓	2	-	LQFP-32
C8051F310-GQ	25	16	1280	✓	✓	✓	✓	✓	✓	29	✓	✓	2	✓	LQFP-32
C8051F311	25	16	1280	✓	✓	✓	✓	✓	✓	25	✓	✓	2	-	QFN-28
C8051F311-GM	25	16	1280	✓	✓	✓	✓	✓	✓	25	✓	✓	2	✓	QFN-28
C8051F312	25	8	1280	✓	✓	✓	✓	✓	✓	29	✓	✓	2	-	LQFP-32
C8051F312-GQ	25	8	1280	✓	✓	✓	✓	✓	✓	29	✓	✓	2	✓	LQFP-32
C8051F313	25	8	1280	✓	✓	✓	✓	✓	✓	25	✓	✓	2	-	QFN-28
C8051F313-GM	25	8	1280	✓	✓	✓	✓	✓	✓	25	✓	✓	2	✓	QFN-28
C8051F314	25	8	1280	✓	✓	✓	✓	✓	✓	29	-	-	2	-	LQFP-32
C8051F314-GQ	25	8	1280	✓	✓	✓	✓	✓	✓	29	-	-	2	✓	LQFP-32
C8051F315	25	8	1280	✓	✓	✓	✓	✓	✓	25	-	-	2	-	QFN-28
C8051F315-GM	25	8	1280	✓	✓	✓	✓	✓	✓	25	-	-	2	✓	QFN-28
C8051F316-GM	25	16	1280	✓	✓	✓	✓	✓	✓	21	✓	✓	2	✓	QFN-24
C8051F317-GM	25	16	1280	✓	✓	✓	✓	✓	✓	21	-	-	2	✓	QFN-24

# C8051F310/1/2/3/4/5/6/7

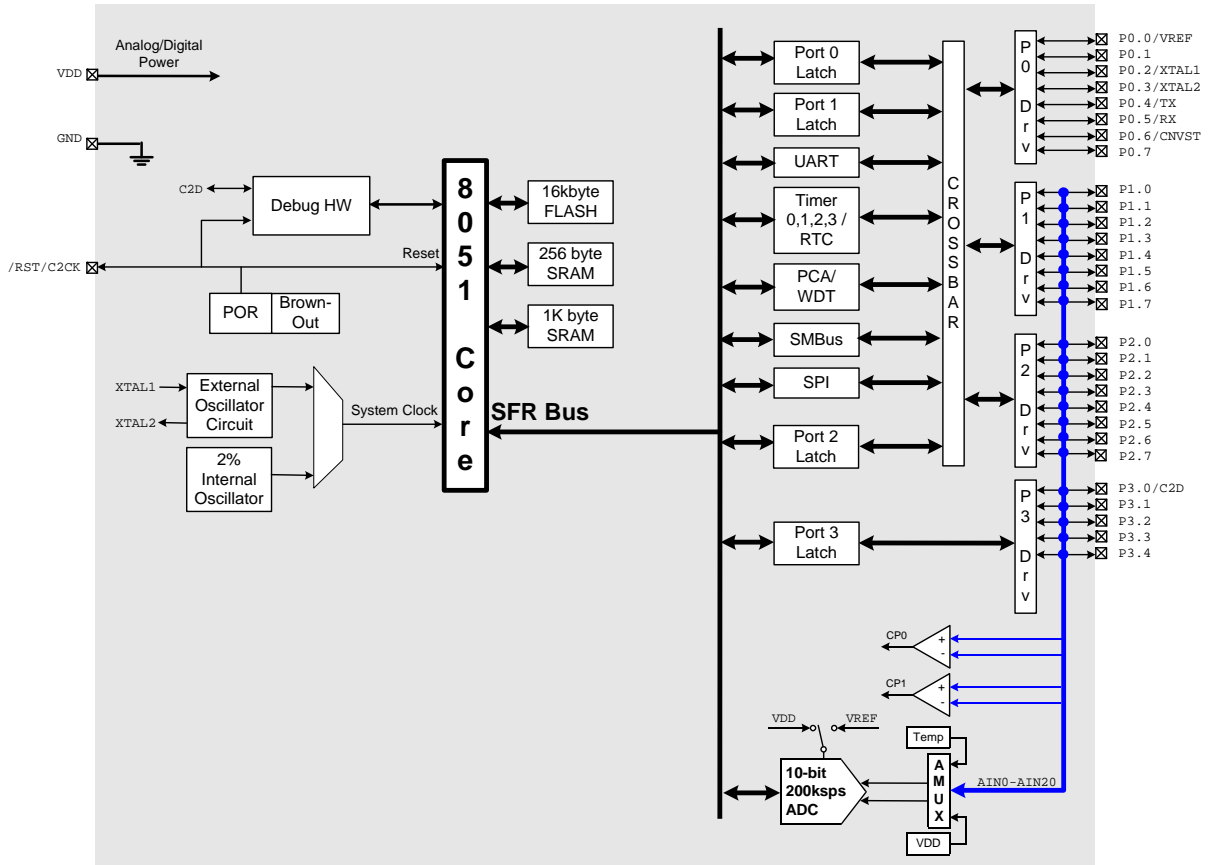


Figure 1.1. C8051F310 Block Diagram

# C8051F310/1/2/3/4/5/6/7

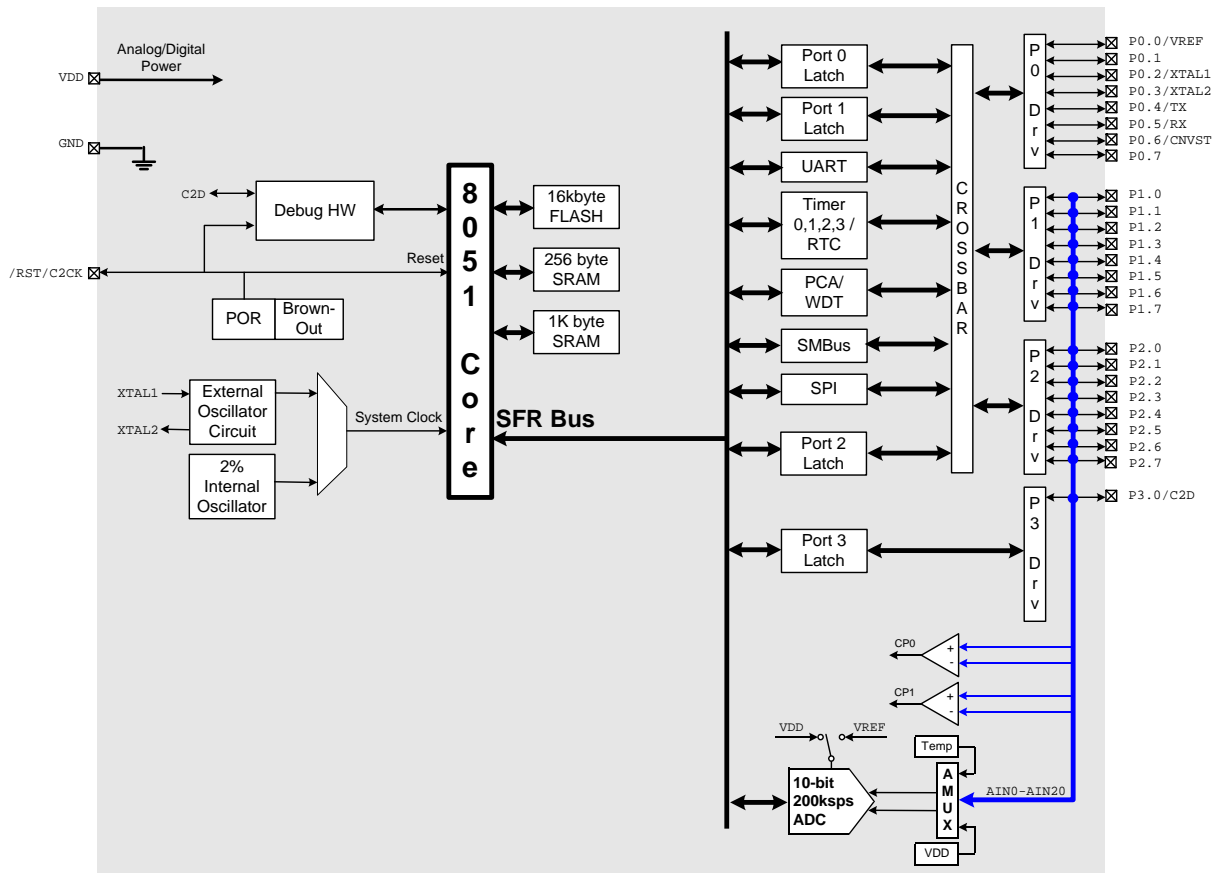


Figure 1.2. C8051F311 Block Diagram

# C8051F310/1/2/3/4/5/6/7

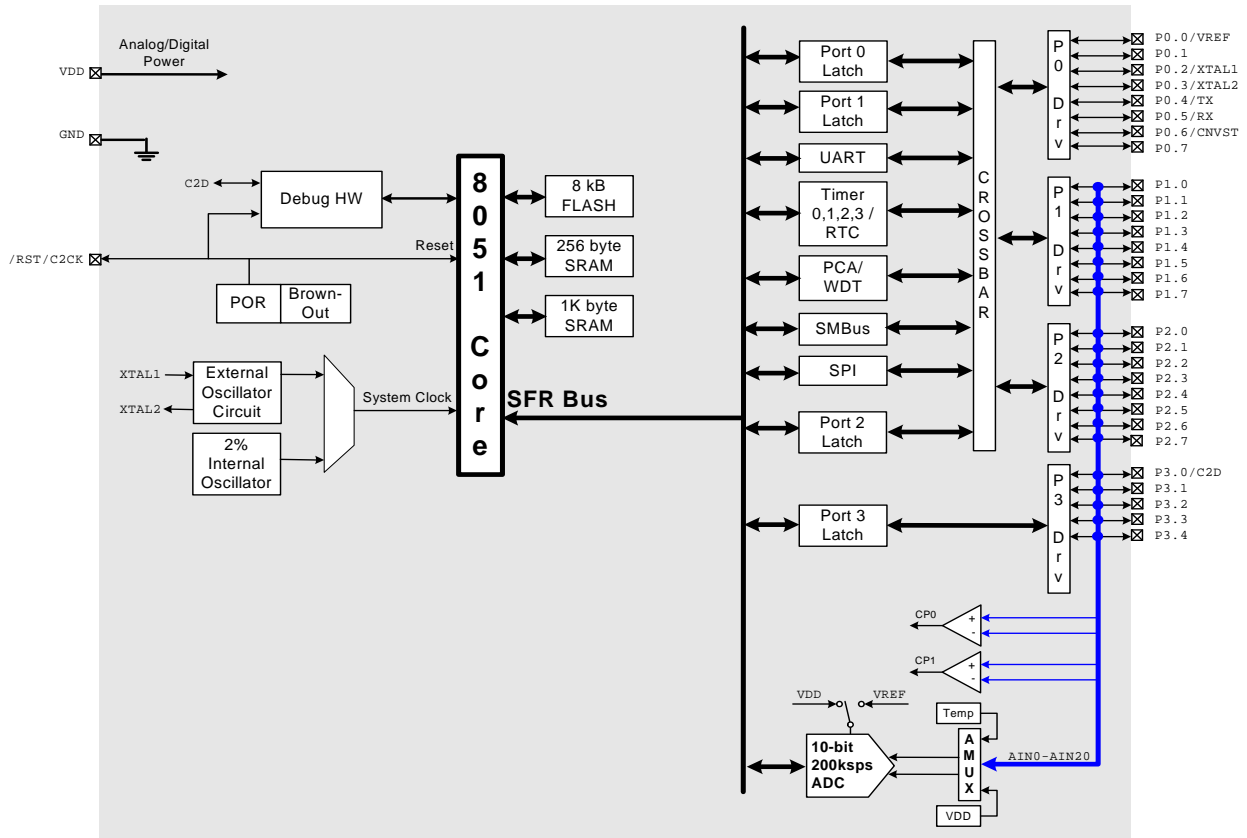


Figure 1.3. C8051F312 Block Diagram

# C8051F310/1/2/3/4/5/6/7

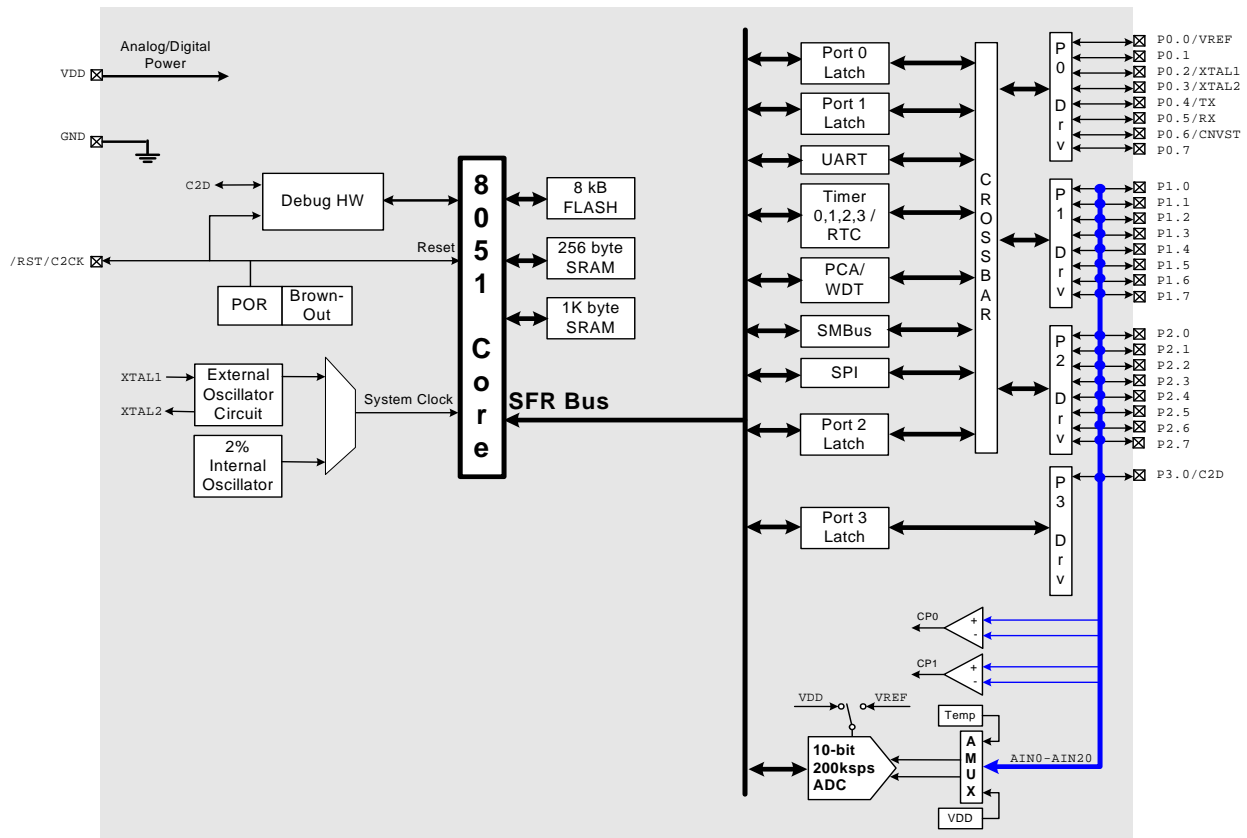


Figure 1.4. C8051F313 Block Diagram

# C8051F310/1/2/3/4/5/6/7

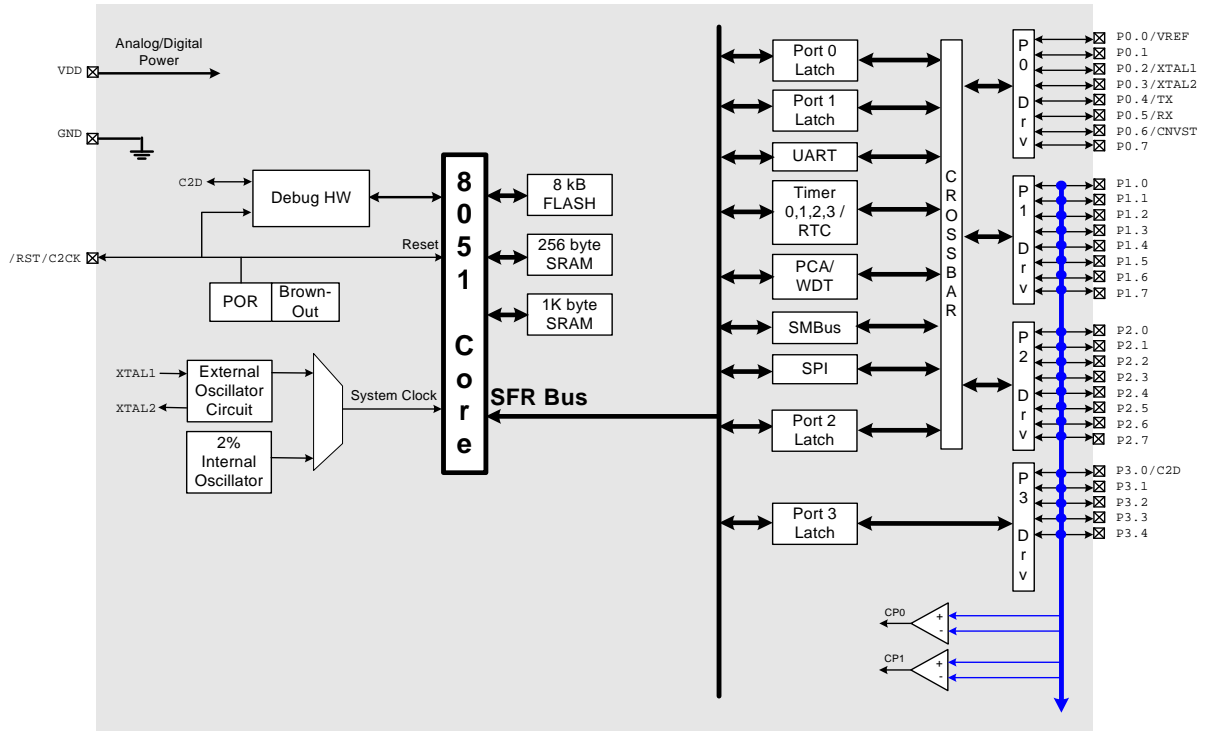


Figure 1.5. C8051F314 Block Diagram

# C8051F310/1/2/3/4/5/6/7

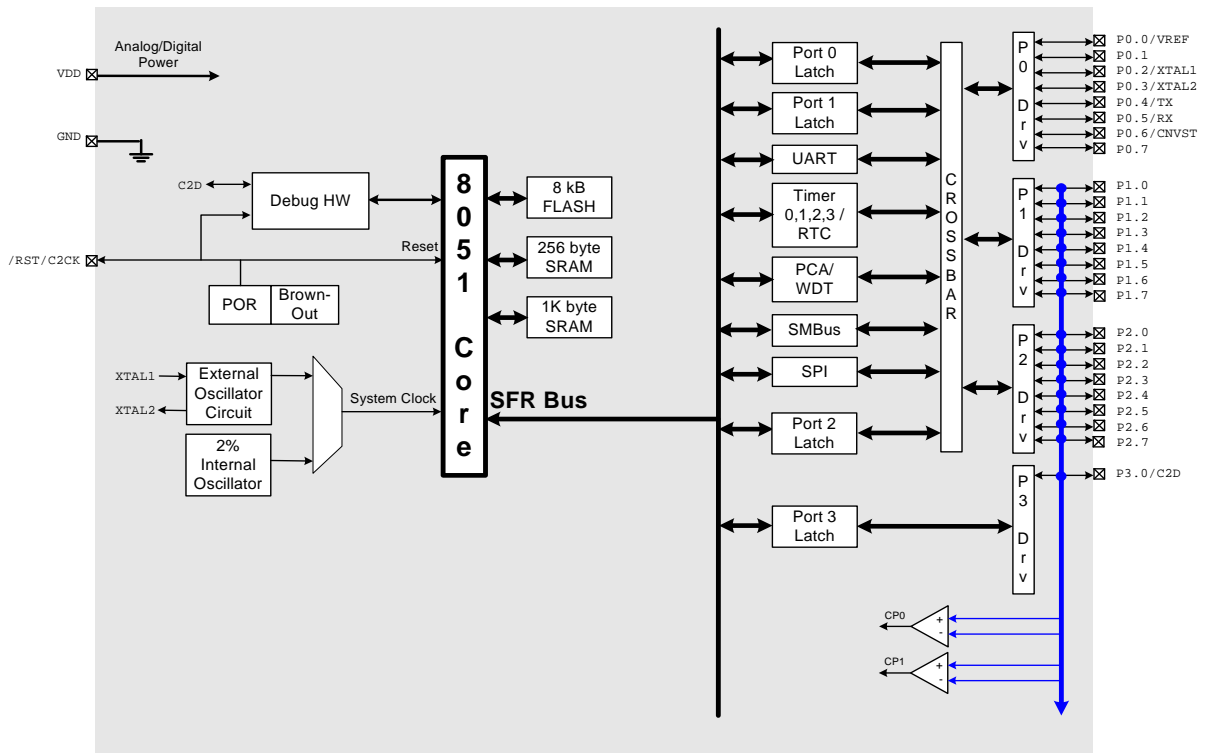


Figure 1.6. C8051F315 Block Diagram



# C8051F310/1/2/3/4/5/6/7

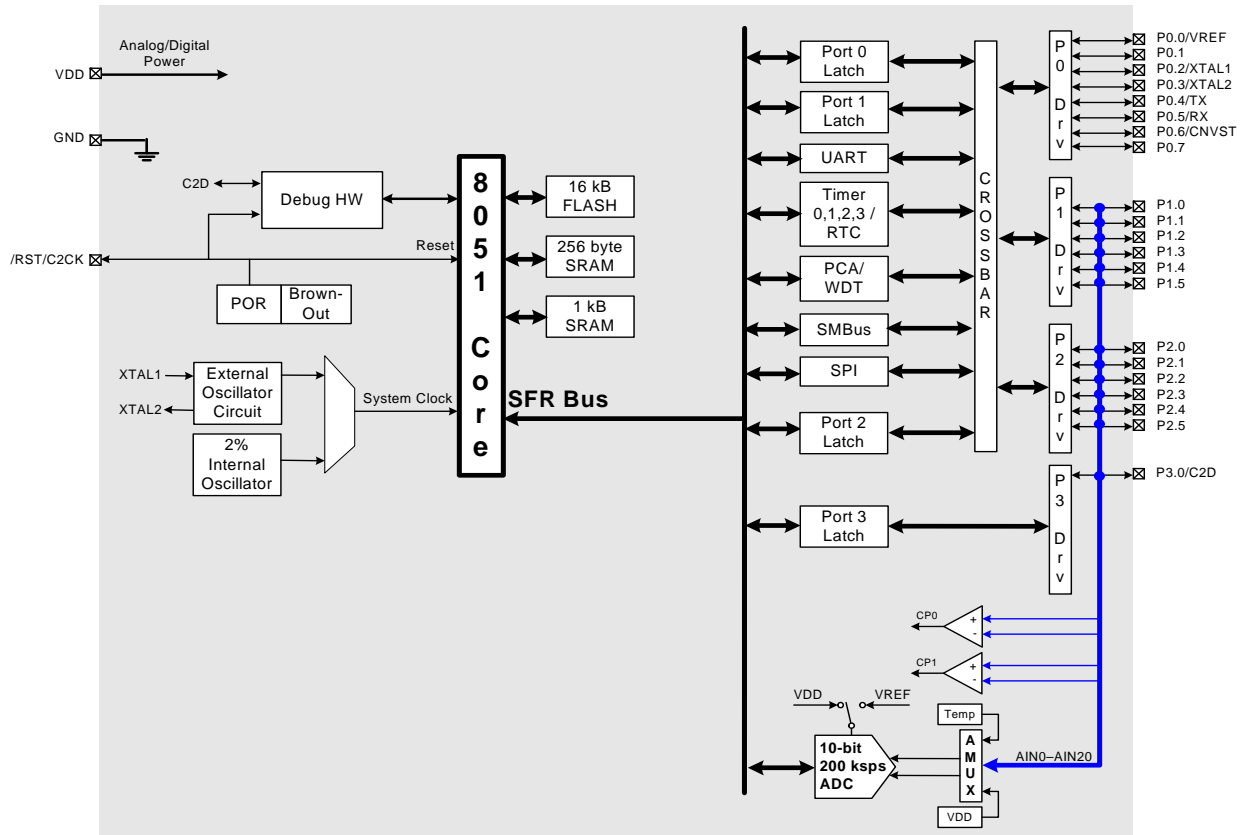


Figure 1.7. C8051F316 Block Diagram

# C8051F310/1/2/3/4/5/6/7

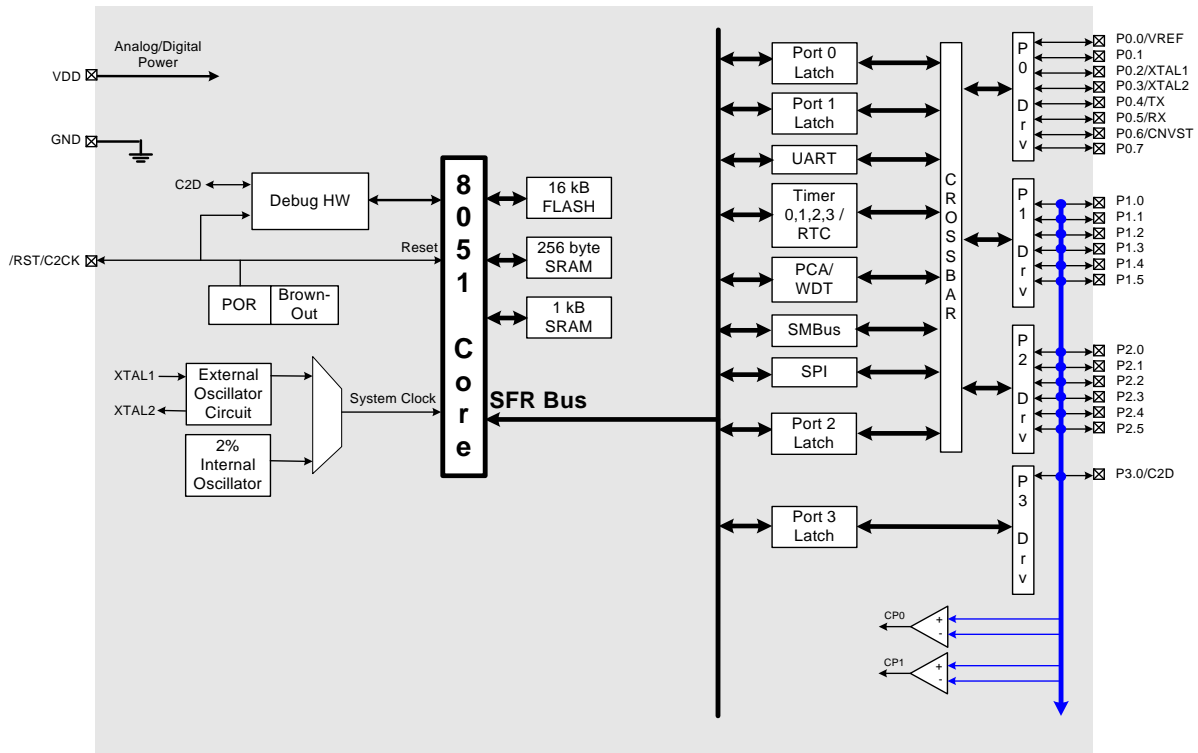


Figure 1.8. C8051F317 Block Diagram

## 1.1. CIP-51™ Microcontroller Core

### 1.1.1. Fully 8051 Compatible

The C8051F31x family utilizes Silicon Laboratories' proprietary CIP-51 microcontroller core. The CIP-51 is fully compatible with the MCS-51™ instruction set; standard 803x/805x assemblers and compilers can be used to develop software. The CIP-51 core offers all the peripherals included with a standard 8052, including four 16-bit counter/timers, a full-duplex UART with extended baud rate configuration, an enhanced SPI port, 1280 bytes of internal RAM, 128 byte Special Function Register (SFR) address space, and 29/25/21 I/O pins.

### 1.1.2. Improved Throughput

The CIP-51 employs a pipelined architecture that greatly increases its instruction throughput over the standard 8051 architecture. In a standard 8051, all instructions except for MUL and DIV take 12 or 24 system clock cycles to execute with a maximum system clock of 12-to-24 MHz. By contrast, the CIP-51 core executes 70% of its instructions in one or two system clock cycles, with only four instructions taking more than four system clock cycles.

The CIP-51 has a total of 109 instructions. The table below shows the total number of instructions that require each execution time.

Clocks to Execute	1	2	2/3	3	3/4	4	4/5	5	8
Number of Instructions	26	50	5	14	7	3	1	2	1

With the CIP-51's maximum system clock at 25 MHz, it has a peak throughput of 25 MIPS. Figure 1.9 shows a comparison of peak throughputs for various 8-bit microcontroller cores with their maximum system clocks.

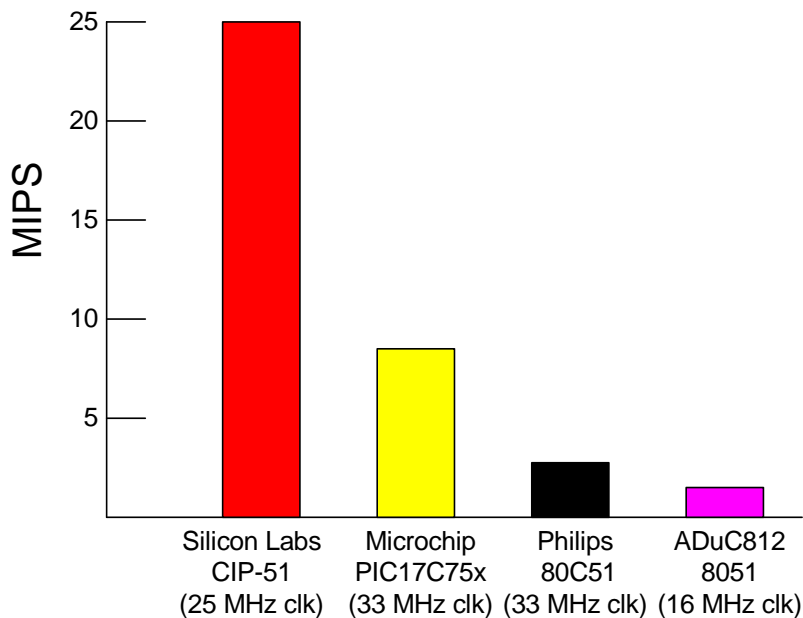


Figure 1.9. Comparison of Peak MCU Execution Speeds

# C8051F310/1/2/3/4/5/6/7

## 1.1.3. Additional Features

The C8051F31x SoC family includes several key enhancements to the CIP-51 core and peripherals to improve performance and ease of use in end applications.

The extended interrupt handler provides 14 interrupt sources into the CIP-51 (as opposed to 7 for the standard 8051), allowing numerous analog and digital peripherals to interrupt the controller. An interrupt driven system requires less intervention by the MCU, giving it more effective throughput. The extra interrupt sources are very useful when building multi-tasking, real-time systems.

Eight reset sources are available: power-on reset circuitry (POR), an on-chip  $V_{DD}$  monitor (forces reset when power supply voltage drops below  $V_{RST}$  as given in Table 9.1 on page 110), a Watchdog Timer, a Missing Clock Detector, a voltage level detection from Comparator0, a forced software reset, an external reset pin, and an errant Flash read/write protection circuit. Each reset source except for the POR, Reset Input Pin, or Flash error may be disabled by the user in software. The WDT may be permanently enabled in software after a power-on reset during MCU initialization.

The internal oscillator is factory calibrated to 24.5 MHz  $\pm 2\%$ . An external oscillator drive circuit is also included, allowing an external crystal, ceramic resonator, capacitor, RC, or CMOS clock source to generate the system clock. If desired, the system clock source may be switched on-the-fly between the internal and external oscillator circuits. An external oscillator can be extremely useful in low power applications, allowing the MCU to run from a slow (power saving) external crystal source, while periodically switching to the fast internal oscillator as needed.

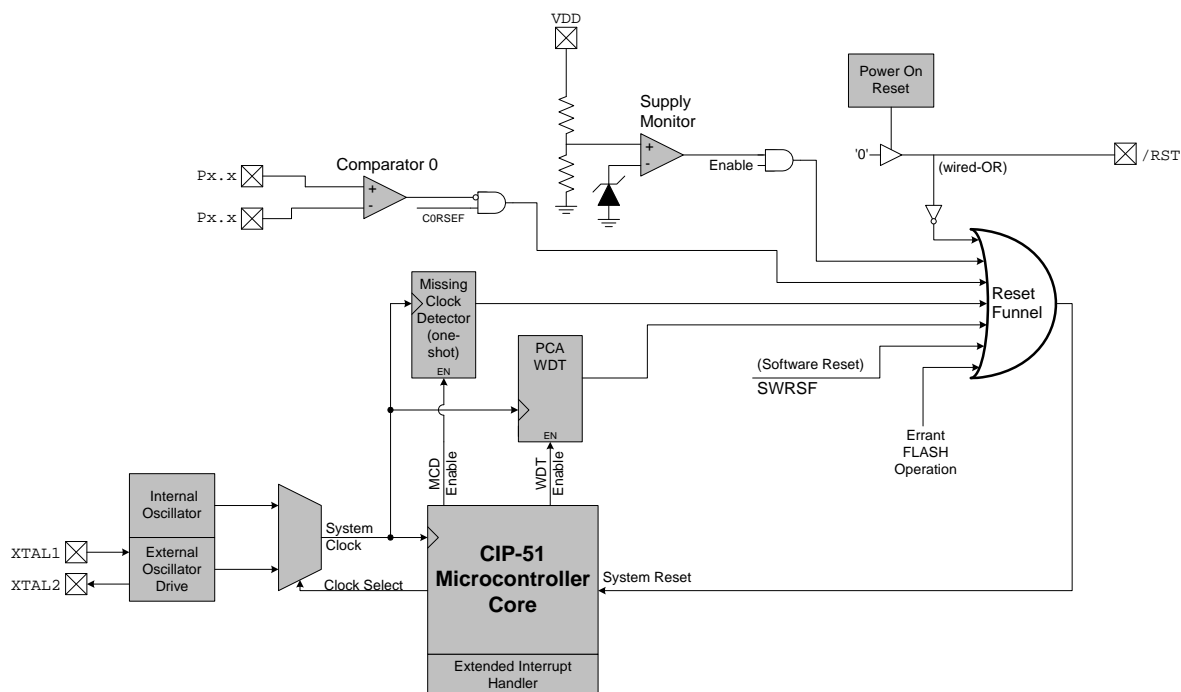


Figure 1.10. On-Chip Clock and Reset

## 1.2. On-Chip Memory

The CIP-51 has a standard 8051 program and data address configuration. It includes 256 bytes of data RAM, with the upper 128 bytes dual-mapped. Indirect addressing accesses the upper 128 bytes of general purpose RAM, and direct addressing accesses the 128 byte SFR address space. The lower 128 bytes of RAM are accessible via direct and indirect addressing. The first 32 bytes are addressable as four banks of general purpose registers, and the next 16 bytes can be byte addressable or bit addressable.

Program memory consists of 8 or 16k kB of Flash. This memory may be reprogrammed in-system in 512 byte sectors, and requires no special off-chip programming voltage. See Figure 1.11 for the MCU system memory map.

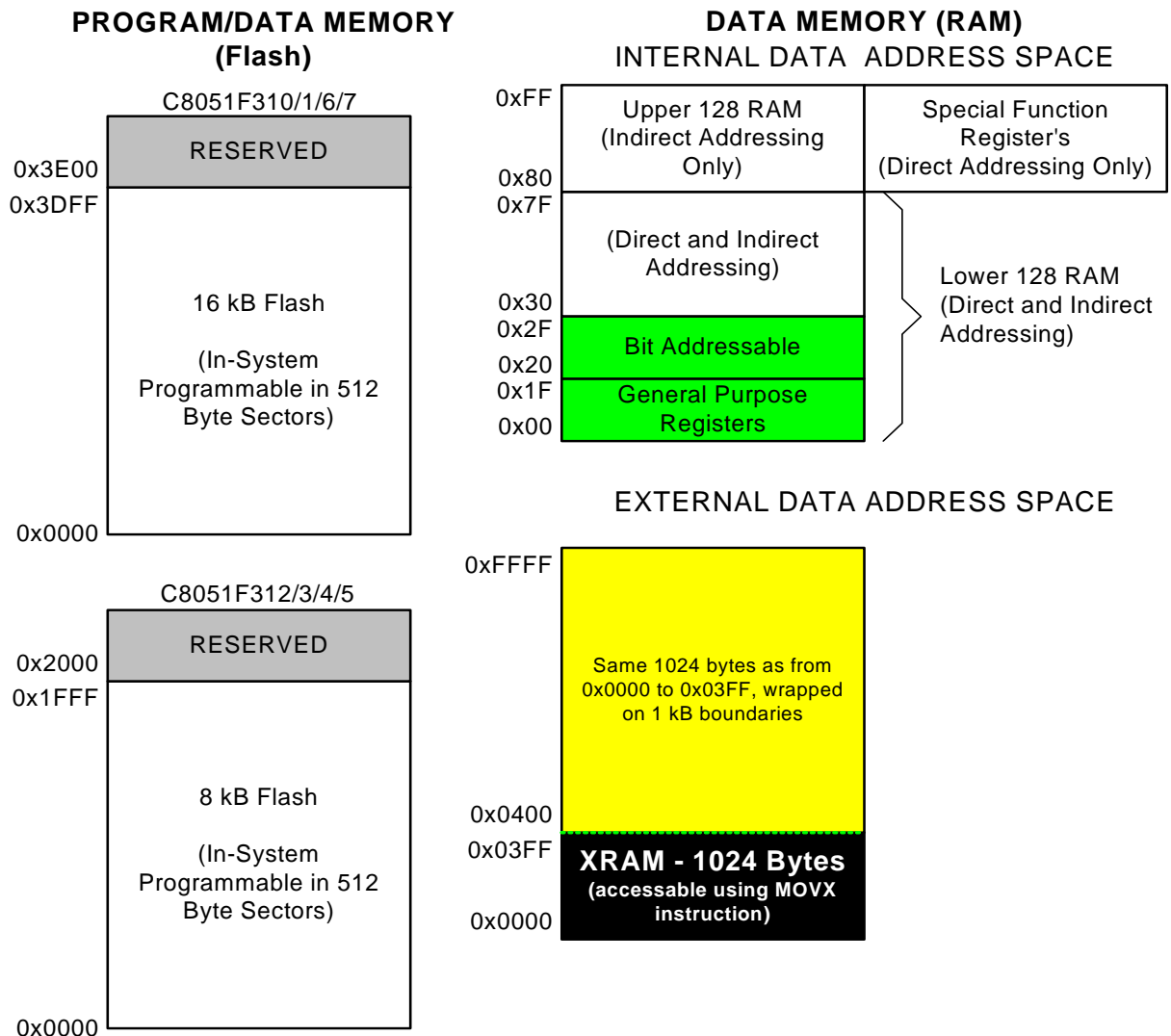


Figure 1.11. On-Board Memory Map

# C8051F310/1/2/3/4/5/6/7

## 1.3. On-Chip Debug Circuitry

The C8051F31x devices include on-chip Silicon Labs 2-Wire (C2) debug circuitry that provides non-intrusive, full speed, in-circuit debugging of the production part *installed in the end application*.

Silicon Labs' debugging system supports inspection and modification of memory and registers, breakpoints, and single stepping. No additional target RAM, program memory, timers, or communications channels are required. All the digital and analog peripherals are functional and work correctly while debugging. All the peripherals (except for the ADC and SMBus) are stalled when the MCU is halted, during single stepping, or at a breakpoint in order to keep them synchronized.

The C8051F310DK development kit provides all the hardware and software necessary to develop application code and perform in-circuit debugging with the C8051F31x MCUs. The kit includes software with a developer's studio and debugger, an integrated 8051 assembler, a debug adapter, a target application board with the associated MCU installed, and the required cables and wall-mount power supply.

The Silicon Labs IDE interface is a vastly superior developing and debugging configuration, compared to standard MCU emulators that use on-board "ICE Chips" and require the MCU in the application board to be socketed. Silicon Labs' debug paradigm increases ease of use and preserves the performance of the precision analog peripherals.

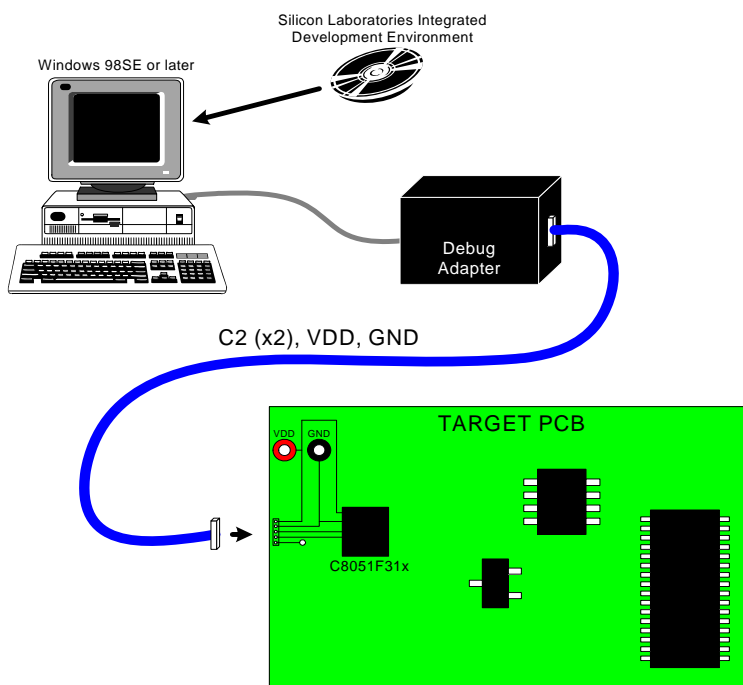


Figure 1.12. Development/In-System Debug Diagram

## 1.4. Programmable Digital I/O and Crossbar

C8051F310/2/4 devices include 29 I/O pins (three byte-wide Ports and one 5-bit-wide Port); C8051F311/3/5 devices include 25 I/O pins (three byte-wide Ports and one 1-bit-wide Port); C8051F316/7 devices include 21 I/O pins (one byte-wide Port, two 6-bit-wide Ports and one 1-bit-wide Port). The C8051F31x Ports behave like typical 8051 Ports with a few enhancements. Each Port pin may be configured as an analog input or a digital I/O pin. Pins selected as digital I/Os may additionally be configured for push-pull or open-drain output. The “weak pullups” that are fixed on typical 8051 devices may be globally disabled, providing power savings capabilities.

The Digital Crossbar allows mapping of internal digital system resources to Port I/O pins (See Figure 1.13). On-chip counter/timers, serial buses, HW interrupts, comparator output, and other digital signals in the controller can be configured to appear on the Port I/O pins specified in the Crossbar Control registers. This allows the user to select the exact mix of general purpose Port I/O and digital resources needed for the particular application.

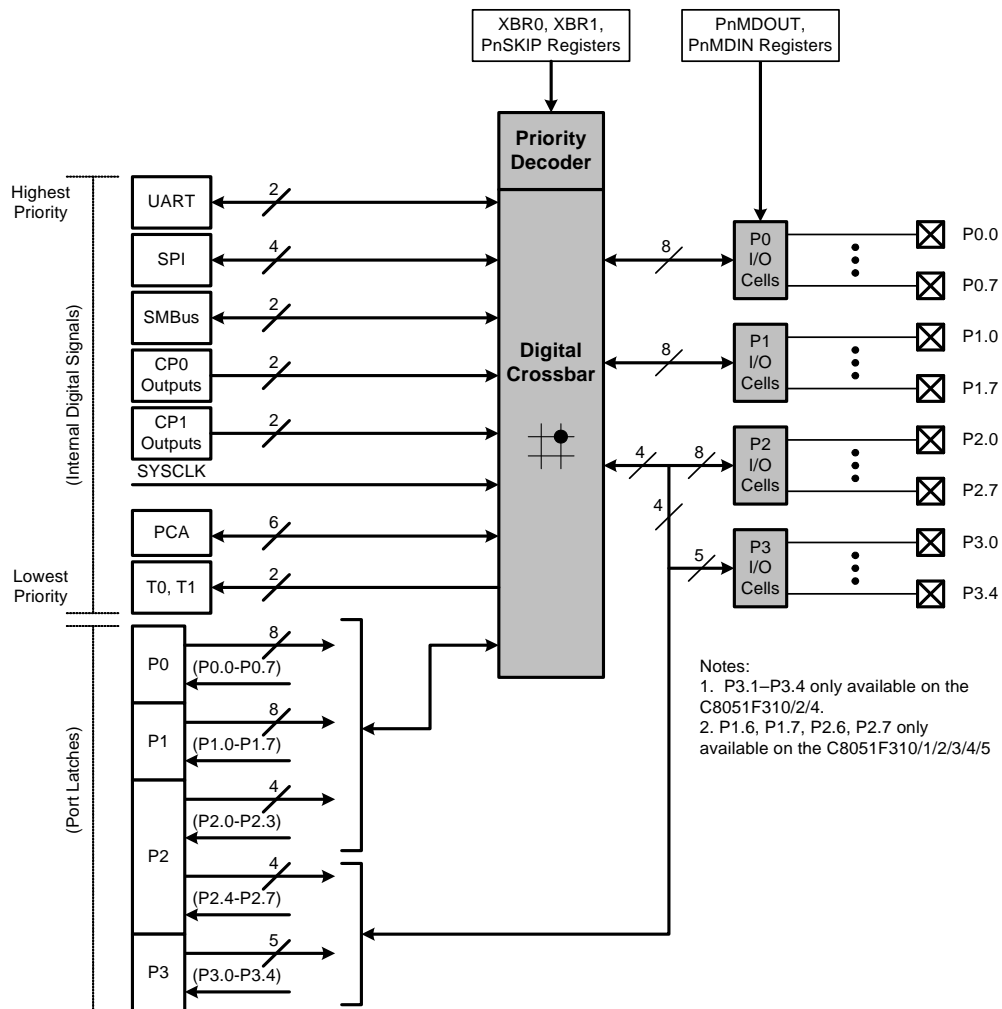


Figure 1.13. Digital Crossbar Diagram

# C8051F310/1/2/3/4/5/6/7

## 1.5. Serial Ports

The C8051F31x Family includes an SMBus/I2C interface, a full-duplex UART with enhanced baud rate configuration, and an Enhanced SPI interface. Each of the serial buses is fully implemented in hardware and makes extensive use of the CIP-51's interrupts, thus requiring very little CPU intervention.

## 1.6. Programmable Counter Array

An on-chip Programmable Counter/Timer Array (PCA) is included in addition to the four 16-bit general purpose counter/timers. The PCA consists of a dedicated 16-bit counter/timer time base with five programmable capture/compare modules. The PCA clock is derived from one of six sources: the system clock divided by 12, the system clock divided by 4, Timer 0 overflows, an External Clock Input (ECI), the system clock, or the external oscillator clock source divided by 8. The external clock source selection is useful for real-time clock functionality, where the PCA is clocked by an external source while the internal oscillator drives the system clock.

Each capture/compare module can be configured to operate in one of six modes: Edge-Triggered Capture, Software Timer, High Speed Output, 8- or 16-bit Pulse Width Modulator, or Frequency Output. Additionally, Capture/Compare Module 4 offers watchdog timer (WDT) capabilities. Following a system reset, Module 4 is configured and enabled in WDT mode. The PCA Capture/Compare Module I/O and External Clock Input may be routed to Port I/O via the Digital Crossbar.

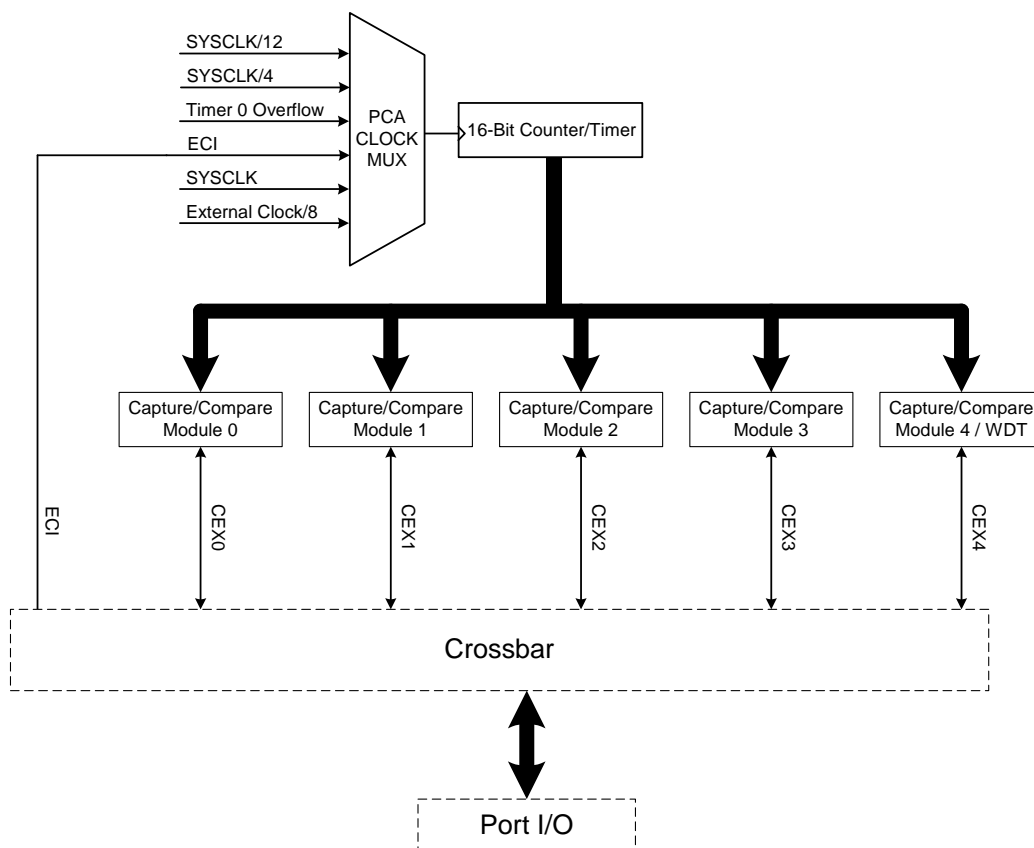


Figure 1.14. PCA Block Diagram



## 1.7. 12-Bit Analog to Digital Converter

The C8051F310/1/2/3/6 devices include an on-chip 12-bit SAR ADC with a 25-channel differential input multiplexer. With a maximum throughput of 200 ksps, the ADC offers true 12-bit accuracy with an INL of  $\pm 1$ LSB. The ADC system includes a configurable analog multiplexer that selects both positive and negative ADC inputs. Ports 1-3 are available as an ADC inputs; additionally, the on-chip Temperature Sensor output and the power supply voltage ( $V_{DD}$ ) are available as ADC inputs. User firmware may shut down the ADC to save power.

Conversions can be started in six ways: a software command, an overflow of Timer 0, 1, 2, or 3, or an external convert start signal. This flexibility allows the start of conversion to be triggered by software events, a periodic signal (timer overflows), or external HW signals. Conversion completions are indicated by a status bit and an interrupt (if enabled). The resulting 12-bit data word is latched into the ADC data SFRs upon completion of a conversion.

Window compare registers for the ADC data can be configured to interrupt the controller when ADC data is either within or outside of a specified range. The ADC can monitor a key voltage continuously in background mode, but not interrupt the controller unless the converted data is within/outside the specified range.

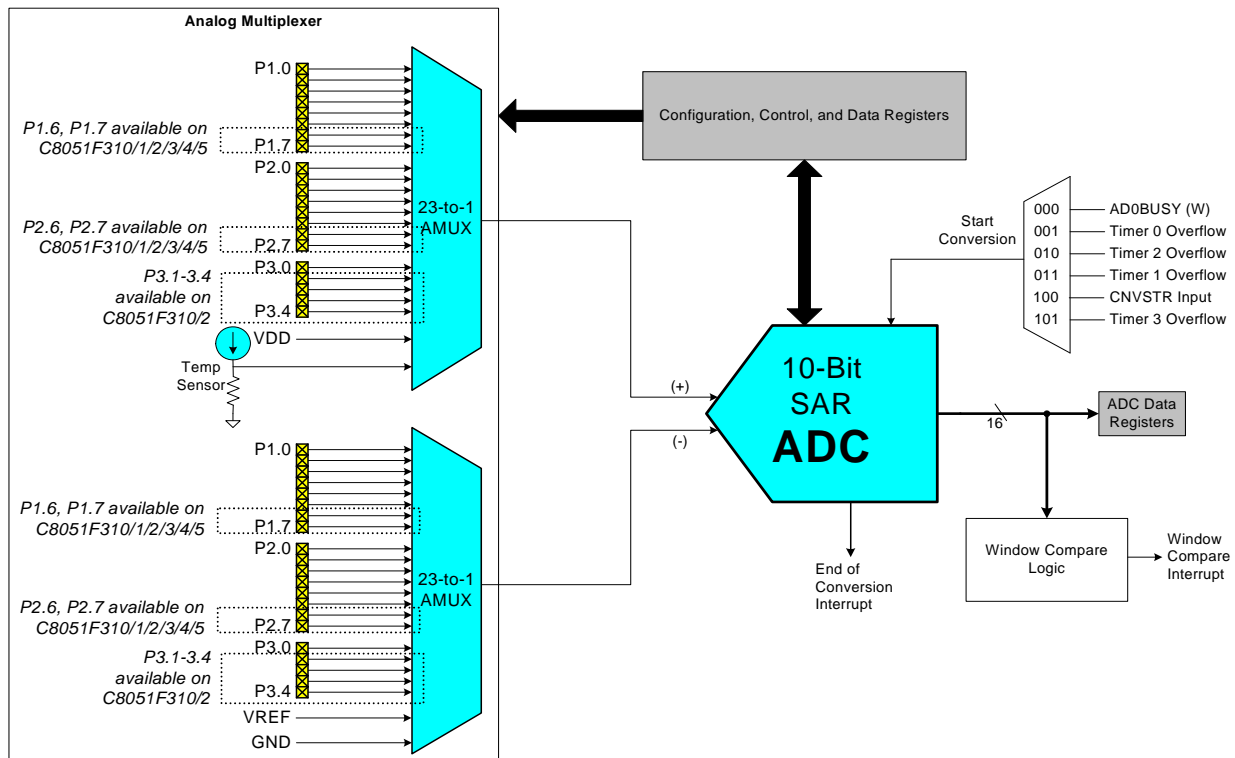


Figure 1.15. 12-Bit ADC Block Diagram

# C8051F310/1/2/3/4/5/6/7

## 1.8. Comparators

C8051F31x devices include two on-chip voltage comparators that are enabled/disabled and configured via user software. Port I/O pins may be configured as comparator inputs via a selection mux. Two comparator outputs may be routed to a Port pin if desired: a latched output and/or an unlatched (asynchronous) output. Comparator response time is programmable, allowing the user to select between high-speed and low-power modes. Positive and negative hysteresis are also configurable.

Comparator interrupts may be generated on rising, falling, or both edges. When in IDLE mode, these interrupts may be used as a “wake-up” source. Comparator0 may also be configured as a reset source. Figure 1.16 shows the Comparator0 block diagram.

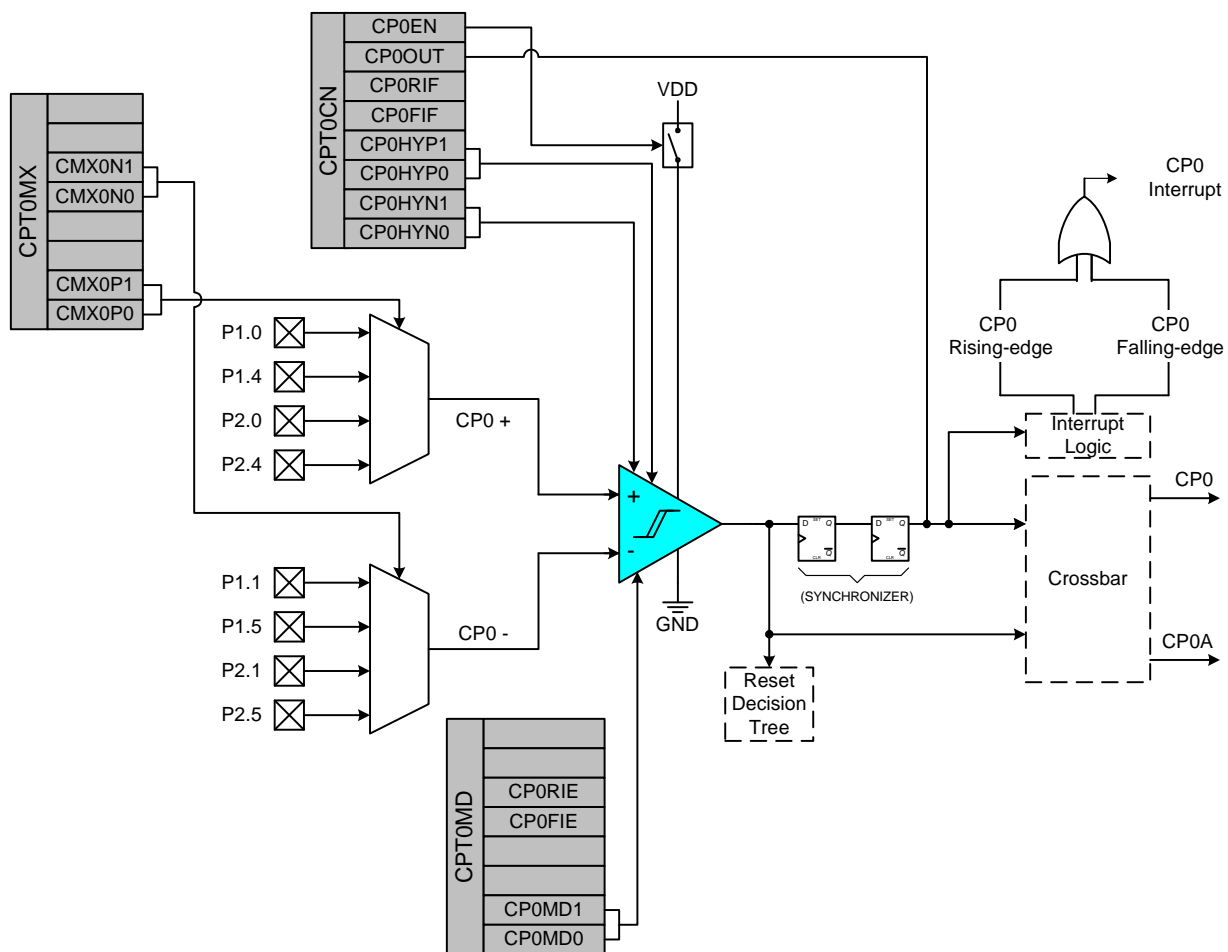


Figure 1.16. Comparator0 Block Diagram

## 2. Absolute Maximum Ratings

**Table 2.1. Absolute Maximum Ratings\***

Parameter	Conditions	Min	Typ	Max	Units
Ambient temperature under bias		-55	—	125	°C
Storage Temperature		-65	—	150	°C
Voltage on any Port I/O Pin or $\overline{\text{RST}}$ with respect to GND		-0.3	—	5.8	V
Voltage on $V_{DD}$ with respect to GND		-0.3	—	4.2	V
Maximum Total current through $V_{DD}$ and GND		—	—	500	mA
Maximum output current sunk by $\overline{\text{RST}}$ or any Port pin		—	—	100	mA
<p><b>*Note:</b> Stresses above those listed under “Absolute Maximum Ratings” may cause permanent damage to the device. This is a stress rating only and functional operation of the devices at those or any other conditions above those indicated in the operation listings of this specification is not implied. Exposure to maximum rating conditions for extended periods may affect device reliability.</p>					

# C8051F310/1/2/3/4/5/6/7

## 3. Global DC Electrical Characteristics

**Table 3.1. Global DC Electrical Characteristics**

–40°C to +85°C, 25 MHz System Clock unless otherwise specified.

Parameter	Conditions	Min	Typ	Max	Units
Digital Supply Voltage		$V_{RST}^1$	3.0	3.6	V
Digital Supply RAM Data Retention Voltage		—	1.5	—	V
Specified Operating Temperature Range		–40	—	+85	°C
SYSCLK (system clock frequency)		0 <sup>2</sup>	—	25	MHz
Tsysl (SYSCLK low time)		18	—	—	ns
Tsysh (SYSCLK high time)		18	—	—	ns
<b>Digital Supply Current—CPU Active (Normal Mode, fetching instructions from Flash)</b>					
I <sub>DD</sub> (Note 3)	V <sub>DD</sub> = 3.0 V, F = 25 MHz	—	7.8	8.6	mA
	V <sub>DD</sub> = 3.0 V, F = 1 MHz	—	0.38	—	mA
	V <sub>DD</sub> = 3.0 V, F = 80 kHz	—	31	—	µA
	V <sub>DD</sub> = 3.6 V, F = 25 MHz	—	10.7	12.1	mA
I <sub>DD</sub> Supply Sensitivity (Note 3, Note 4)	F = 25 MHz	—	67	—	%/V
	F = 1 MHz	—	62	—	%/V
I <sub>DD</sub> Frequency Sensitivity (Note 3, Note 5)	V <sub>DD</sub> = 3.0 V, F ≤ 15 MHz, T = 25 °C	—	0.39	—	mA/MHz
	V <sub>DD</sub> = 3.0 V, F > 15 MHz, T = 25 °C	—	0.21	—	mA/MHz
	V <sub>DD</sub> = 3.6 V, F ≤ 15 MHz, T = 25 °C	—	0.55	—	mA/MHz
	V <sub>DD</sub> = 3.6 V, F > 15 MHz, T = 25 °C	—	0.27	—	mA/MHz

**Notes:**

- Given in Table 9.1 on page 110.
- SYSCLK must be at least 32 kHz to enable debugging.
- Based on device characterization data, not production tested.
- Active and Inactive I<sub>DD</sub> at voltages and frequencies other than those specified can be calculated using the I<sub>DD</sub> Supply Sensitivity. For example, if the V<sub>DD</sub> is 3.3 V instead of 3.0 V at 25 MHz: I<sub>DD</sub> = 7.8 mA typical at 3.0 V and f = 25 MHz. From this, I<sub>DD</sub> = 7.8 mA + 0.67 x (3.3 V – 3.0 V) = 8 mA at 3.3 V and f = 25 MHz.
- I<sub>DD</sub> can be estimated for frequencies ≤ 15 MHz by multiplying the frequency of interest by the frequency sensitivity number for that range. When using these numbers to estimate I<sub>DD</sub> for > 15 MHz, the estimate should be the current at 25 MHz minus the difference in current indicated by the frequency sensitivity number. For example:  
V<sub>DD</sub> = 3.0 V; F = 20 MHz, I<sub>DD</sub> = 7.8 mA – (25 MHz – 20 MHz) x 0.21 mA/MHz = 6.75 mA.
- Idle I<sub>DD</sub> can be estimated for frequencies ≤ 1 MHz by multiplying the frequency of interest by the frequency sensitivity number for that range. When using these numbers to estimate Idle I<sub>DD</sub> for > 1 MHz, the estimate should be the current at 25 MHz minus the difference in current indicated by the frequency sensitivity number. For example:  
V<sub>DD</sub> = 3.0 V; F = 5 MHz, Idle I<sub>DD</sub> = 4.8 mA – (25 MHz – 5 MHz) x 0.15 mA/MHz = 1.8 mA.

**Table 3.1. Global DC Electrical Characteristics (Continued)**

–40°C to +85°C, 25 MHz System Clock unless otherwise specified.

Parameter	Conditions	Min	Typ	Max	Units
<b>Digital Supply Current—CPU Inactive (Idle Mode, not fetching instructions from Flash)</b>					
I <sub>DD</sub> (Note 3)	V <sub>DD</sub> = 3.0 V, F = 25 MHz	—	3.8	4.3	mA
	V <sub>DD</sub> = 3.0 V, F = 1 MHz	—	0.20	—	mA
	V <sub>DD</sub> = 3.0 V, F = 80 kHz	—	16	—	μA
	V <sub>DD</sub> = 3.6 V, F = 25 MHz	—	4.8	5.3	mA
I <sub>DD</sub> Supply Sensitivity (Note 3, Note 4)	F = 25 MHz	—	44	—	%/V
	F = 1 MHz	—	56	—	%/V
I <sub>DD</sub> Frequency Sensitivity (Note 3, Note 6)	V <sub>DD</sub> = 3.0 V, F ≤ 1 MHz, T = 25 °C	—	0.21	—	mA/MHz
	V <sub>DD</sub> = 3.0 V, F > 1 MHz, T = 25 °C	—	0.15	—	mA/MHz
	V <sub>DD</sub> = 3.6 V, F ≤ 1 MHz, T = 25 °C	—	0.28	—	mA/MHz
	V <sub>DD</sub> = 3.6 V, F > 1 MHz, T = 25 °C	—	0.19	—	mA/MHz
Digital Supply Current (Stop Mode, shutdown)	Oscillator not running, V <sub>DD</sub> Monitor Disabled	—	< 0.1	—	μA

**Notes:**

1. Given in Table 9.1 on page 110.
2. SYSCLK must be at least 32 kHz to enable debugging.
3. Based on device characterization data, not production tested.
4. Active and Inactive I<sub>DD</sub> at voltages and frequencies other than those specified can be calculated using the I<sub>DD</sub> Supply Sensitivity. For example, if the V<sub>DD</sub> is 3.3 V instead of 3.0 V at 25 MHz: I<sub>DD</sub> = 7.8 mA typical at 3.0 V and f = 25 MHz. From this, I<sub>DD</sub> = 7.8 mA + 0.67 x (3.3 V – 3.0 V) = 8 mA at 3.3 V and f = 25 MHz.
5. I<sub>DD</sub> can be estimated for frequencies ≤ 15 MHz by multiplying the frequency of interest by the frequency sensitivity number for that range. When using these numbers to estimate I<sub>DD</sub> for > 15 MHz, the estimate should be the current at 25 MHz minus the difference in current indicated by the frequency sensitivity number. For example:  
V<sub>DD</sub> = 3.0 V; F = 20 MHz, I<sub>DD</sub> = 7.8 mA – (25 MHz – 20 MHz) x 0.21 mA/MHz = 6.75 mA.
6. Idle I<sub>DD</sub> can be estimated for frequencies ≤ 1 MHz by multiplying the frequency of interest by the frequency sensitivity number for that range. When using these numbers to estimate Idle I<sub>DD</sub> for > 1 MHz, the estimate should be the current at 25 MHz minus the difference in current indicated by the frequency sensitivity number. For example:  
V<sub>DD</sub> = 3.0 V; F = 5 MHz, Idle I<sub>DD</sub> = 4.8 mA – (25 MHz – 5 MHz) x 0.15 mA/MHz = 1.8 mA.

# C8051F310/1/2/3/4/5/6/7

Other electrical characteristics tables are found in the data sheet section corresponding to the associated peripherals. For more information on electrical characteristics for a specific peripheral, refer to the page indicated in Table 3.2.

**Table 3.2. Electrical Characteristics Quick Reference**

<b>Peripheral Electrical Characteristics</b>	<b>Page No.</b>
ADC0 Electrical Characteristics	65
External Voltage Reference Circuit Electrical Characteristics	68
Comparator Electrical Characteristics	78
Reset Electrical Characteristics	110
Flash Electrical Characteristics	112
Internal Oscillator Electrical Characteristics	123
Port I/O DC Electrical Characteristics	143

## 4. Pinout and Package Definitions

**Table 4.1. Pin Definitions for the C8051F31x**

Name	Pin Numbers			Type	Description
	'F310/2/4	'F311/3/5	'F316/7		
V <sub>DD</sub>	4	4	4		Power Supply Voltage.
GND	3	3	3		Ground.
RST/  C2CK	5	5	5	D I/O	Device Reset. Open-drain output of internal POR. An external source can initiate a system reset by driving this pin low for at least 10 $\mu$ s.  Clock signal for the C2 Debug Interface.
P3.0/  C2D	6	6	6	D I/O  D I/O	Port 3.0. See <a href="#">Section 13</a> for a complete description.  Bi-directional data signal for the C2 Debug Interface.
P0.0/  VREF	2	2	2	D I/O  A In	Port 0.0. See <a href="#">Section 13</a> for a complete description.  External VREF input. ('F310/1/2/3 only)
P0.1	1	1	1	D I/O	Port 0.1. See <a href="#">Section 13</a> for a complete description.
P0.2/  XTAL1	32	28	24	D I/O  A In	Port 0.2. See <a href="#">Section 13</a> for a complete description.  External Clock Input. This pin is the external oscillator return for a crystal or resonator.
P0.3/  XTAL2	31	27	23	D I/O  A Out or D In	Port 0.3. See <a href="#">Section 13</a> for a complete description.  External Clock Output. For an external crystal or resonator, this pin is the excitation driver. This pin is the external clock input for CMOS, capacitor, or RC oscillator configurations.
P0.4	30	26	22	D I/O	Port 0.4. See <a href="#">Section 13</a> for a complete description.
P0.5	29	25	21	D I/O	Port 0.5. See <a href="#">Section 13</a> for a complete description.
P0.6/  CNVSTR	28	24	20		Port 0.6. See <a href="#">Section 13</a> for a complete description.  ADC0 External Convert Start Input. ('F310/1/2/3 only)
P0.7	27	23	19	D I/O	Port 0.7. See <a href="#">Section 13</a> for a complete description.
P1.0	26	22	18	D I/O or A In	Port 1.0. See <a href="#">Section 13</a> for a complete description.
P1.1	25	21	17	D I/O or A In	Port 1.1. See <a href="#">Section 13</a> for a complete description.
P1.2	24	20	16	D I/O or A In	Port 1.2. See <a href="#">Section 13</a> for a complete description.
P1.3	23	19	15	D I/O or A In	Port 1.3. See <a href="#">Section 13</a> for a complete description.
P1.4	22	18	14	D I/O or A In	Port 1.4. See <a href="#">Section 13</a> for a complete description.

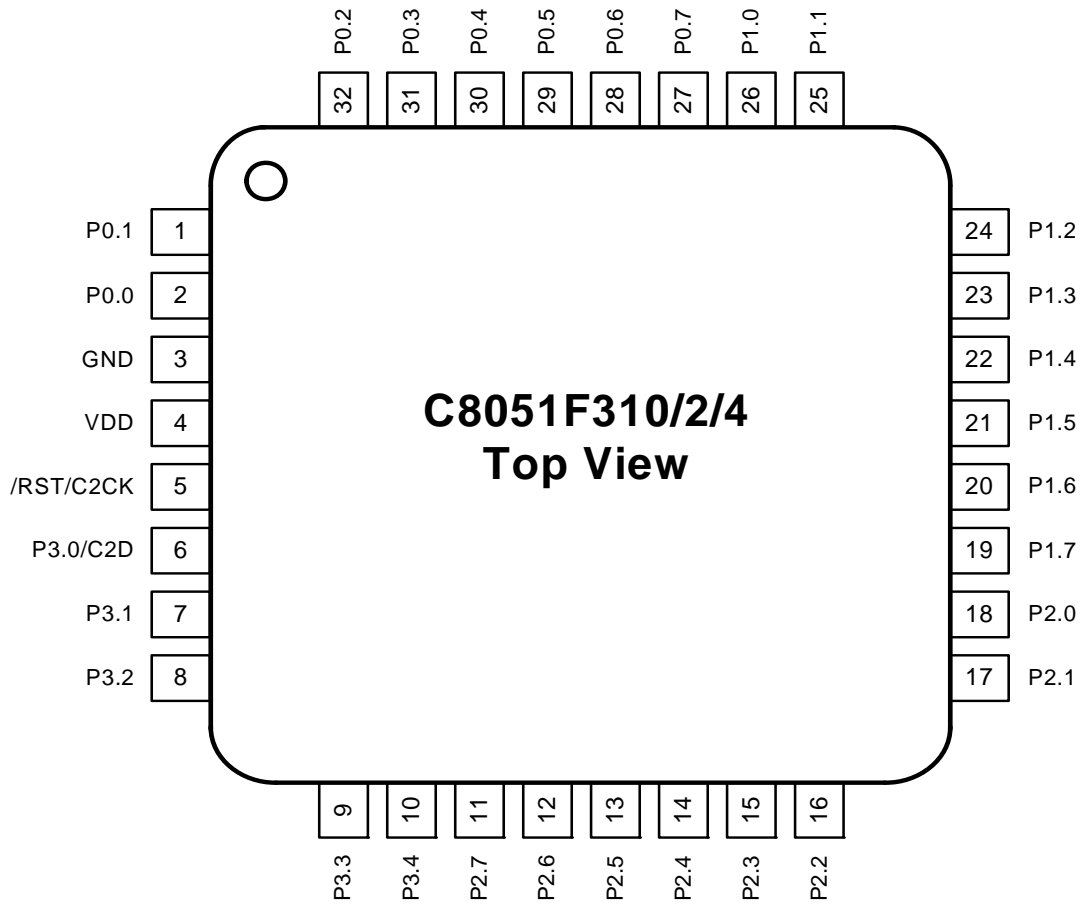
# C8051F310/1/2/3/4/5/6/7

**Table 4.1. Pin Definitions for the C8051F31x (Continued)**

Name	Pin Numbers			Type	Description
	'F310/2/4	'F311/3/5	'F316/7		
P1.5	21	17	13	D I/O or A In	Port 1.5. See <a href="#">Section 13</a> for a complete description.
P1.6	20	16		D I/O or A In	Port 1.6. See <a href="#">Section 13</a> for a complete description.
P1.7	19	15		D I/O or A In	Port 1.7. See <a href="#">Section 13</a> for a complete description.
P2.0	18	14	12	D I/O or A In	Port 2.0. See <a href="#">Section 13</a> for a complete description.
P2.1	17	13	11	D I/O or A In	Port 2.1. See <a href="#">Section 13</a> for a complete description.
P2.2	16	12	10	D I/O or A In	Port 2.2. See <a href="#">Section 13</a> for a complete description.
P2.3	15	11	9	D I/O or A In	Port 2.3. See <a href="#">Section 13</a> for a complete description.
P2.4	14	10	8	D I/O or A In	Port 2.4. See <a href="#">Section 13</a> for a complete description.
P2.5	13	9	7	D I/O or A In	Port 2.5. See <a href="#">Section 13</a> for a complete description.
P2.6	12	8		D I/O or A In	Port 2.6. See <a href="#">Section 13</a> for a complete description.
P2.7	11	7		D I/O or A In	Port 2.7. See <a href="#">Section 13</a> for a complete description.
P3.1	7			D I/O or A In	Port 3.1. See <a href="#">Section 13</a> for a complete description.
P3.2	8			D I/O or A In	Port 3.2. See <a href="#">Section 13</a> for a complete description.
P3.3	9			D I/O or A In	Port 3.3. See <a href="#">Section 13</a> for a complete description.
P3.4	10			D I/O or A In	Port 3.4. See <a href="#">Section 13</a> for a complete description.



# C8051F310/1/2/3/4/5/6/7



**Figure 4.1. LQFP-32 Pinout Diagram (Top View)**

# C8051F310/1/2/3/4/5/6/7

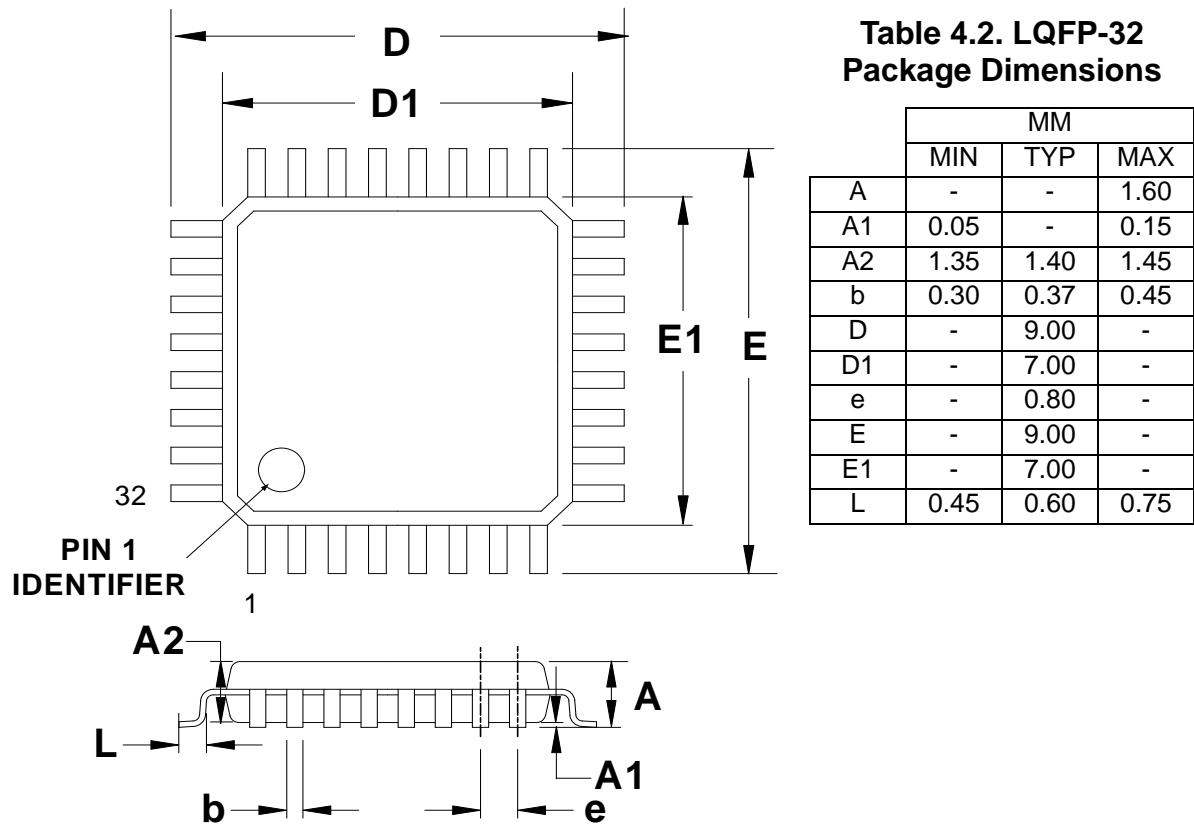
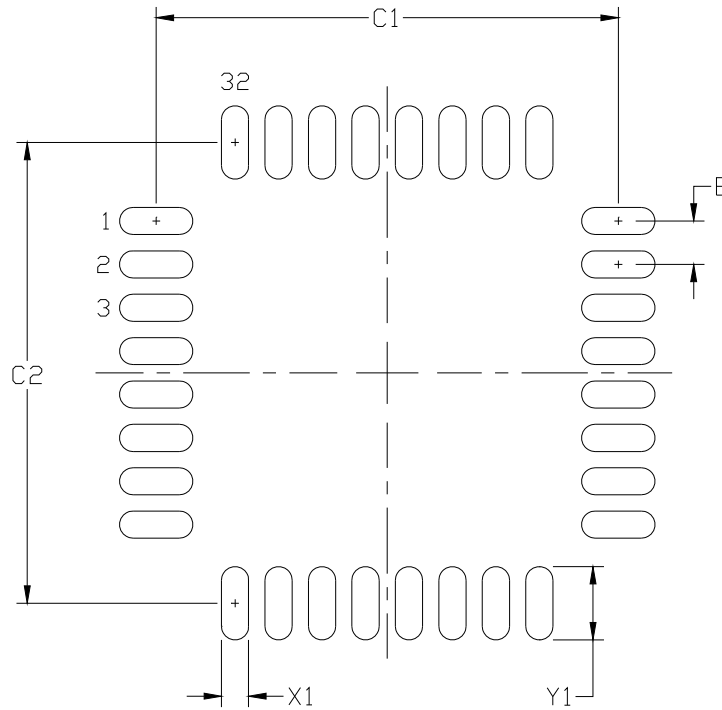


Figure 4.2. LQFP-32 Package Diagram



**Figure 4.3. Typical LQFP-32 Landing Diagram**

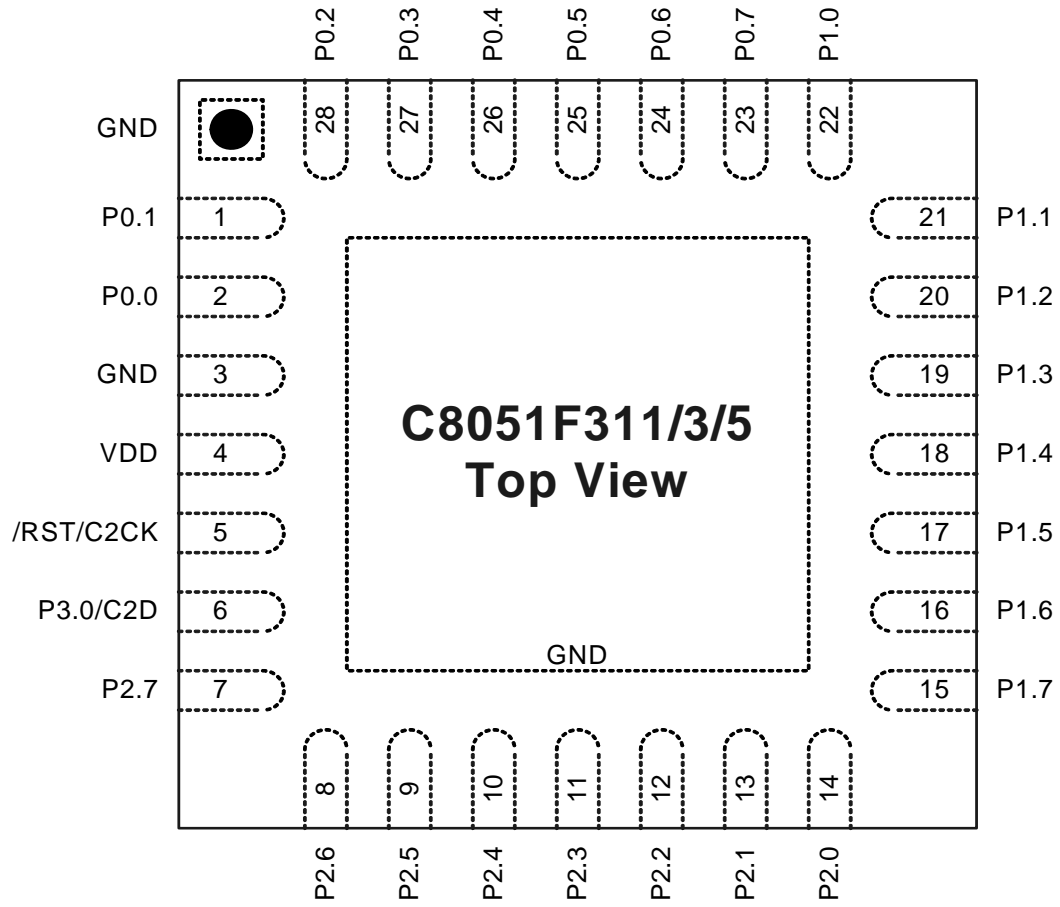
**Table 4.3. LQFP-32 Landing Pattern Dimensions**

Dimension	Min	Max
C1	8.40	8.50
C2	8.40	8.50
E	0.80 BSC.	
X1	0.40	0.50
Y1	1.25	1.35

**Notes:**

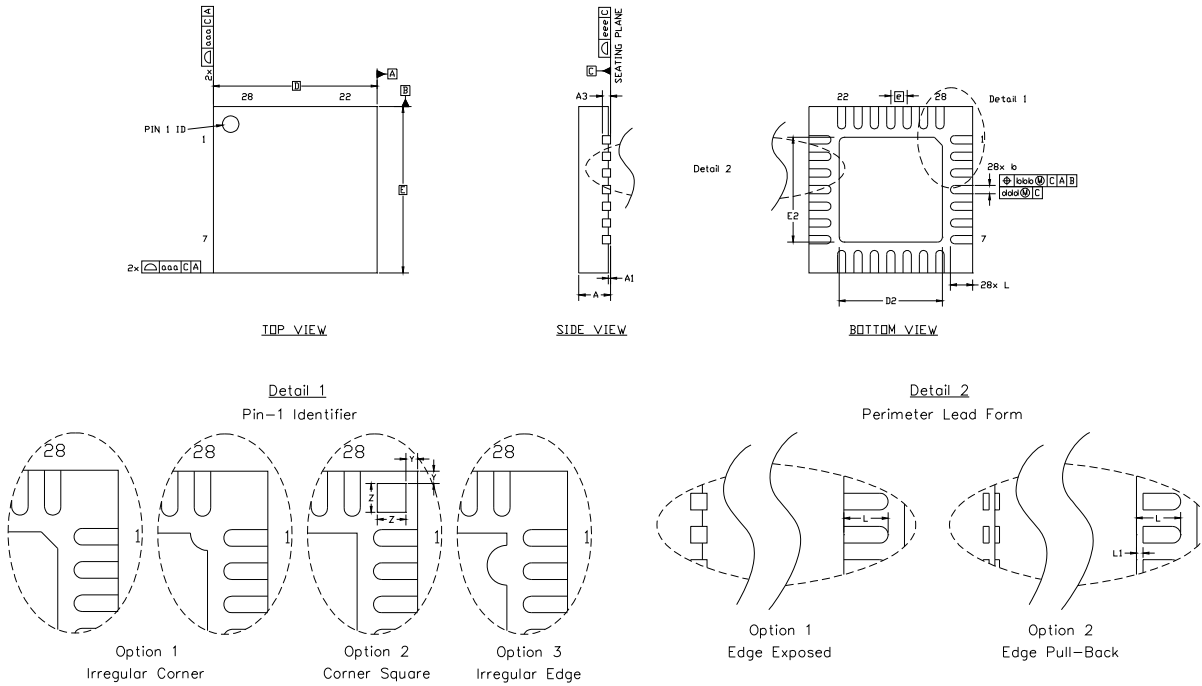
1. All dimensions shown are in millimeters (mm) unless otherwise noted.
2. This Land Pattern Design is based on the IPC-7351 guidelines.
3. All metal pads are to be non-solder mask defined (NSMD). Clearance between the solder mask and the metal pad is to be 60µm minimum, all the way around the pad.
4. A stainless steel, laser-cut and electro-polished stencil with trapezoidal walls should be used to assure good solder paste release.
5. The stencil thickness should be 0.125mm (5 mils).
6. The ratio of stencil aperture to land pad size should be 1:1 for all pads.
7. A No-Clean, Type-3 solder paste is recommended.
8. The recommended card reflow profile is per the JEDEC/IPC J-STD-020C specification for Small Body Components.

# C8051F310/1/2/3/4/5/6/7



**Figure 4.4. QFN-28 Pinout Diagram (Top View)**

# C8051F310/1/2/3/4/5/6/7



**Figure 4.5. QFN-28 Package Drawing**

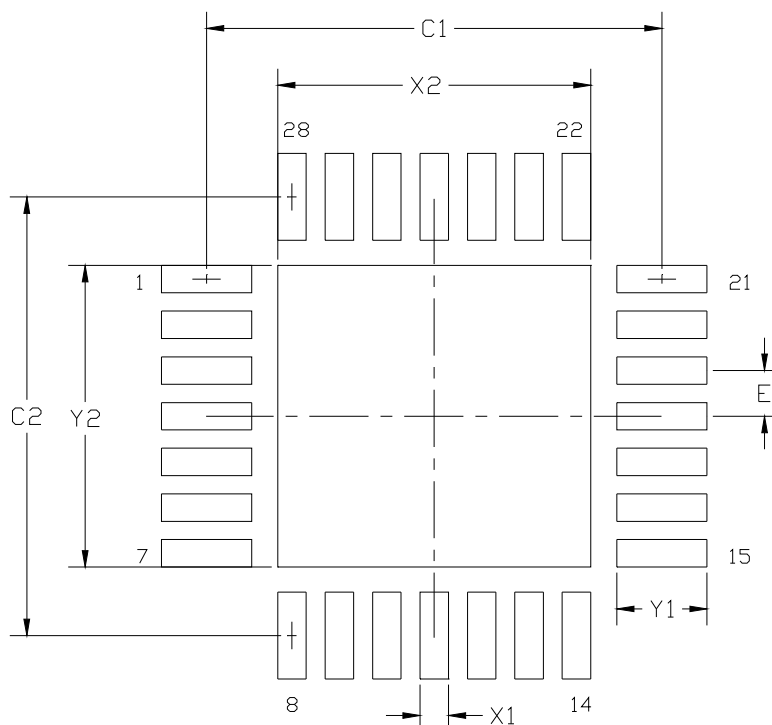
**Table 4.4. QFN-28 Package Dimensions**

Dimension	MM			Dimension	MM		
	Min	Nom	Max		Min	Nom	Max
A	0.80	0.90	1.00	L	0.35	0.55	0.65
A1	0.00	0.02	0.05	L1	0.00	—	0.15
A3	0.25 REF			aaa	0.15		
b	0.18	0.23	0.30	bbb	0.10		
D	5.00 BSC.			ddd	0.05		
D2	2.90	3.15	3.35	eee	0.08		
e	0.50 BSC.			Z	0.44		
E	5.00 BSC.			Y	0.18		
E2	2.90	3.15	3.35				

**Notes:**

1. All dimensions shown are in millimeters (mm) unless otherwise noted.
2. Dimensioning and Tolerancing per ANSI Y14.5M-1994.
3. This drawing conforms to JEDEC outline MO-220, variation VHHD except for custom features D2, E2, L, Z, and Y which are toleranced per supplier designation.
4. Recommended card reflow profile is per the JEDEC/IPC J-STD-020 specification for Small Body Components.

# C8051F310/1/2/3/4/5/6/7



**Figure 4.6. Typical QFN-28 Landing Diagram**

**Table 4.5. QFN-28 Landing Pattern Dimensions**

Dimension	Min	Max
C1		4.80
C2		4.80
E		0.50
X1	0.20	0.30
X2	3.20	3.30
Y1	0.85	0.95
Y2	3.20	3.30

**Notes:**

1. All dimensions shown are in millimeters (mm) unless otherwise noted.
2. Dimensioning and Tolerancing is per the ANSI Y14.5M-1994 specification.
3. This Land Pattern Design is based on the IPC-7351 guidelines.
4. All metal pads are to be non-solder mask defined (NSMD). Clearance between the solder mask and the metal pad is to be 60µm minimum, all the way around the pad.
5. A stainless steel, laser-cut and electro-polished stencil with trapezoidal walls should be used to assure good solder paste release.
6. The stencil thickness should be 0.125mm (5 mils).
7. The ratio of stencil aperture to land pad size should be 1:1 for all perimeter pins.
8. A 3x3 array of 0.90mm openings on a 1.1mm pitch should be used for the center pad to assure the proper paste volume.
9. A No-Clean, Type-3 solder paste is recommended.
10. The recommended card reflow profile is per the JEDEC/IPC J-STD-020 specification for Small Body Components.

# C8051F310/1/2/3/4/5/6/7

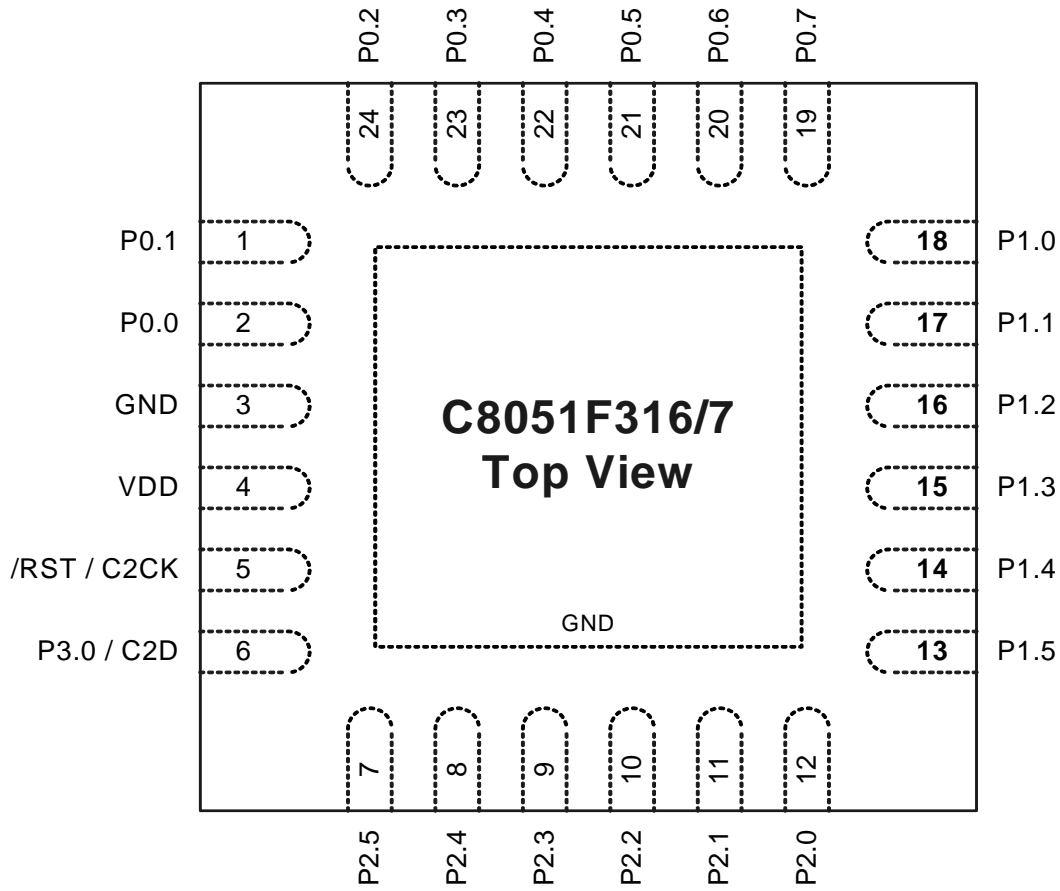
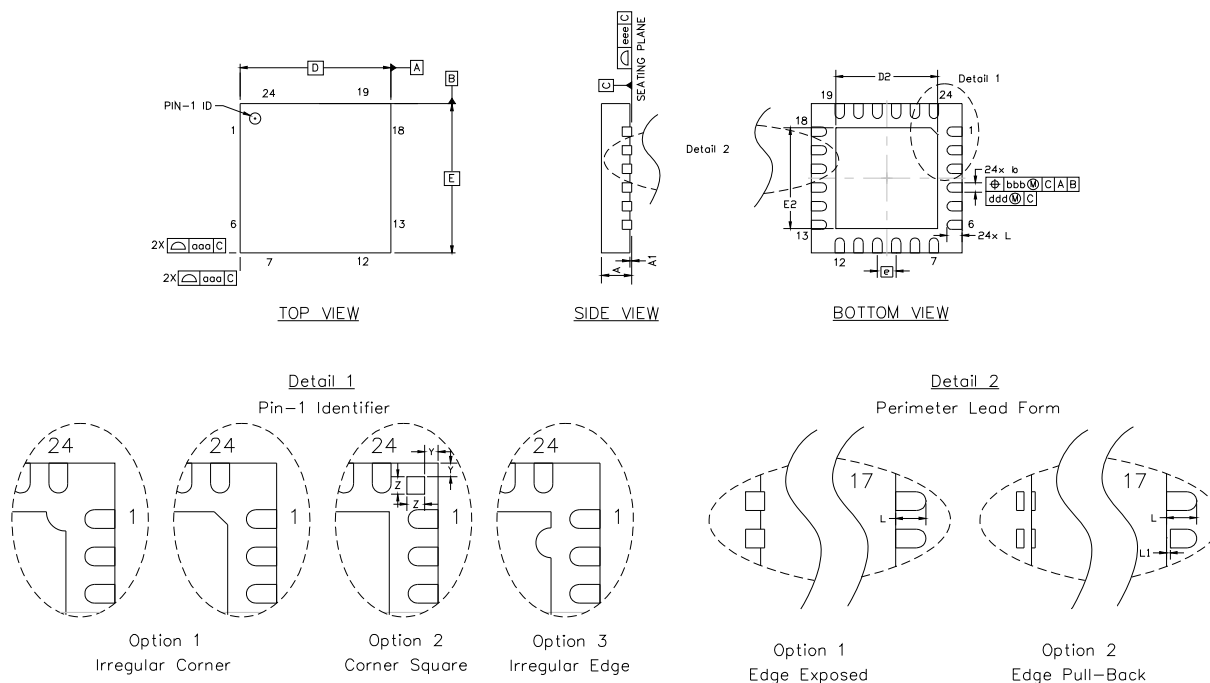


Figure 4.7. QFN-24 Pinout Diagram (Top View)

# C8051F310/1/2/3/4/5/6/7



**Figure 4.8. QFN-24 Package Drawing**

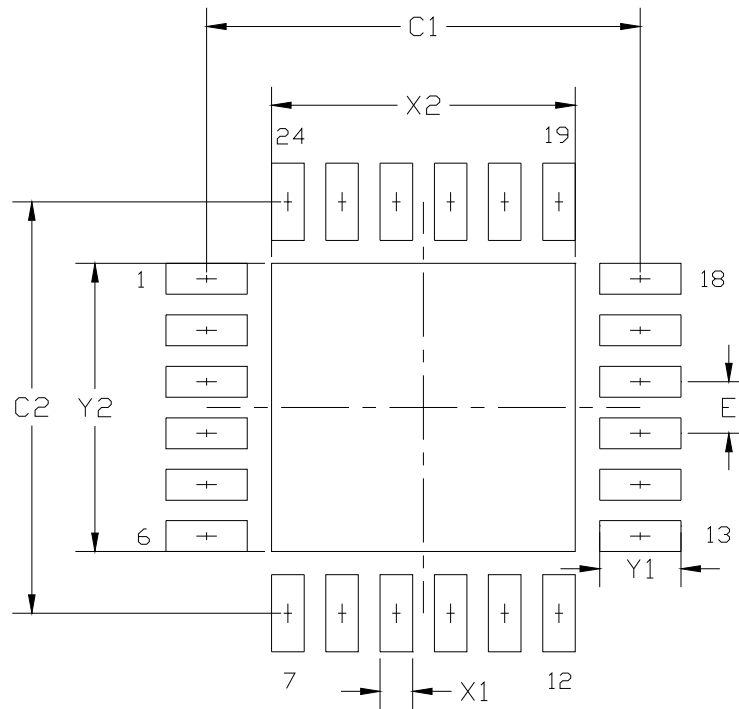
**Table 4.6. QFN-24 Package Dimensions**

Dimension	MM			Dimension	MM		
	Min	Nom	Max		Min	Nom	Max
A	0.70	0.75	0.80	L	0.30	0.40	0.50
A1	0.00	0.02	0.05	L1	0.00	—	0.15
b	0.18	0.25	0.30	aaa	—	—	0.15
D	4.00 BSC.			bbb	—	—	0.10
D2	2.55	2.70	2.80	ddd	—	—	0.05
e	0.50 BSC.			eee	—	—	0.08
E	4.00 BSC.			Z	0.24		
E2	2.55	2.70	2.80	Y	0.18		

**Notes:**

1. All dimensions shown are in millimeters (mm) unless otherwise noted.
2. Dimensioning and Tolerancing per ANSI Y14.5M-1994.
3. This drawing conforms to the JEDEC Solid State Outline MO-220, variation WGGD except for custom features D2, E2, Z, Y, and L which are toleranced per supplier designation.
4. Recommended card reflow profile is per the JEDEC/IPC J-STD-020 specification for Small Body Components.





**Figure 4.9. Typical QFN-24 Landing Diagram**

**Table 4.7. QFN-24 Landing Pattern Dimensions**

Dimension	Min	Max
C1	3.90	4.00
C2	3.90	4.00
E	0.50 BSC.	
X1	0.20	0.30
X2	2.70	2.80
Y1	0.65	0.75
Y2	2.70	2.80

**Notes:**

1. All dimensions shown are in millimeters (mm) unless otherwise noted.
2. This land pattern design is based on the IPC-7351 guidelines.
3. All metal pads are to be non-solder mask defined (NSMD). Clearance between the solder mask and the metal pad is to be 60µm minimum, all the way around the pad.
4. A stainless steel, laser-cut and electro-polished stencil with trapezoidal walls should be used to assure good solder paste release.
5. The stencil thickness should be 0.125mm (5 mils).
6. The ratio of stencil aperture to land pad size should be 1:1 for all perimeter pads.
7. A 2x2 array of 1.10mm x 1.10mm openings on 1.30mm pitch should be used for the center ground pad.
8. A No-Clean, Type-3 solder paste is recommended.
9. The recommended card reflow profile is per the JEDEC/IPC J-STD-020 specification for Small Body Components.

# C8051F310/1/2/3/4/5/6/7

---

## 5. 12-Bit ADC (ADC0, C8051F310/1/2/3/6 only)

The ADC0 subsystem for the C8051F310/1/2/3/6 consists of two analog multiplexers (referred to collectively as AMUX0) with 25 total input selections, and a 200 kpsps, 12-bit successive-approximation-register ADC with integrated track-and-hold and programmable window detector. The AMUX0, data conversion modes, and window detector are all configurable under software control via the Special Function Registers shown in Figure 5.1. ADC0 operates in both Single-ended and Differential modes, and may be configured to measure P1.0–P3.4, the Temperature Sensor output, or  $V_{DD}$  with respect to P1.0–P3.4, VREF, or GND. The ADC0 subsystem is enabled only when the AD0EN bit in the ADC0 Control register (ADC0CN) is set to logic 1. The ADC0 subsystem is in low power shutdown when this bit is logic 0.

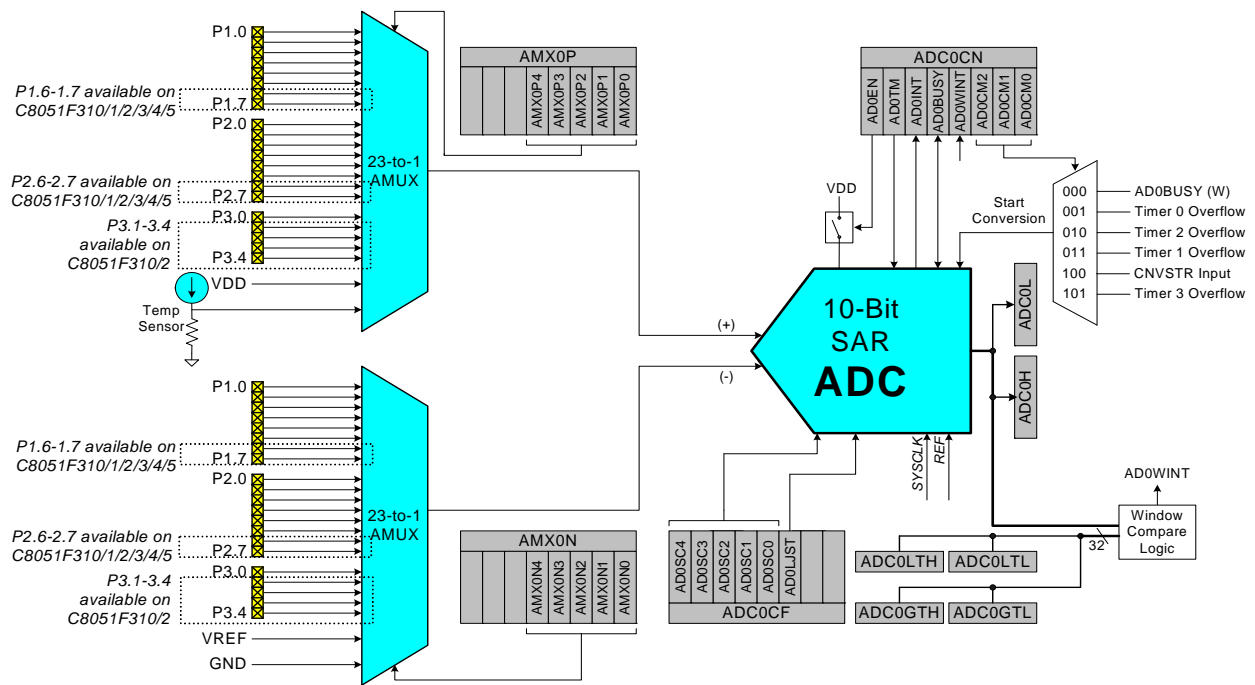


Figure 5.1. ADC0 Functional Block Diagram

### 5.1. Analog Multiplexer

AMUX0 selects the positive and negative inputs to the ADC. Any of the following may be selected as the positive input: P1.0-P3.4, the on-chip temperature sensor, or the positive power supply ( $V_{DD}$ ). Any of the following may be selected as the negative input: P1.0-P3.4, VREF, or GND. **When GND is selected as the negative input, ADC0 operates in Single-ended Mode; all other times, ADC0 operates in Differential Mode.** The ADC0 input channels are selected in the AMX0P and AMX0N registers as described in SFR Definition 5.1 and SFR Definition 5.2.

The conversion code format differs between Single-ended and Differential modes. The registers ADC0H and ADC0L contain the high and low bytes of the output conversion code from the ADC at the completion of each conversion. Data can be right-justified or left-justified, depending on the setting of the AD0LJST bit (ADC0CN.0). When in Single-ended Mode, conversion codes are represented as 12-bit unsigned integers.

# C8051F310/1/2/3/4/5/6/7

Inputs are measured from '0' to  $V_{REF} * 1023/1024$ . Example codes are shown below for both right-justified and left-justified data. Unused bits in the ADC0H and ADC0L registers are set to '0'.

Input Voltage	Right-Justified ADC0H:ADC0L (AD0LJST = 0)	Left-Justified ADC0H:ADC0L (AD0LJST = 1)
$V_{REF} * 1023/1024$	0x03FF	0xFFC0
$V_{REF} * 512/1024$	0x0200	0x8000
$V_{REF} * 256/1024$	0x0100	0x4000
0	0x0000	0x0000

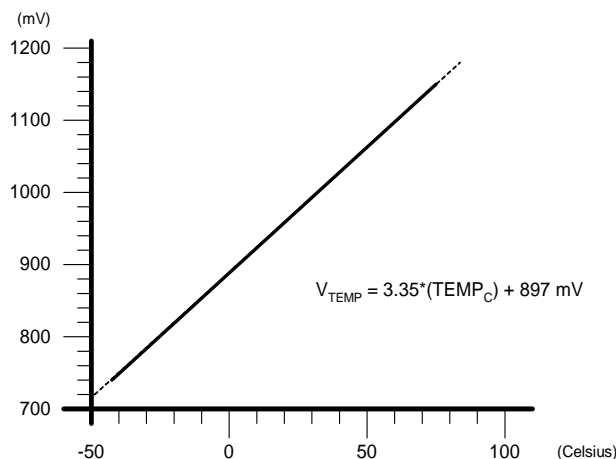
When in Differential Mode, conversion codes are represented as 12-bit signed 2's complement numbers. Inputs are measured from  $-V_{REF}$  to  $V_{REF} * 511/512$ . Example codes are shown below for both right-justified and left-justified data. For right-justified data, the unused MSBs of ADC0H are a sign-extension of the data word. For left-justified data, the unused LSBs in the ADC0L register are set to '0'.

Input Voltage	Right-Justified ADC0H:ADC0L (AD0LJST = 0)	Left-Justified ADC0H:ADC0L (AD0LJST = 1)
$V_{REF} * 511/512$	0x01FF	0x7FC0
$V_{REF} * 256/512$	0x0100	0x4000
0	0x0000	0x0000
$-V_{REF} * 256/512$	0xFF00	0xC000
$-V_{REF}$	0xFE00	0x8000

**Important Note About ADC0 Input Configuration:** Port pins selected as ADC0 inputs should be configured as analog inputs, and should be skipped by the Digital Crossbar. To configure a Port pin for analog input, set to '0' the corresponding bit in register PnMDIN (for n = 0,1,2,3). To force the Crossbar to skip a Port pin, set to '1' the corresponding bit in register PnSKIP (for n = 0,1,2). See [Section "13. Port Input/Output" on page 129](#) for more Port I/O configuration details.

## 5.2. Temperature Sensor

The typical temperature sensor transfer function is shown in Figure 5.2. The output voltage ( $V_{TEMP}$ ) is the positive ADC input when the temperature sensor is selected by bits AMX0P4-0 in register AMX0P.

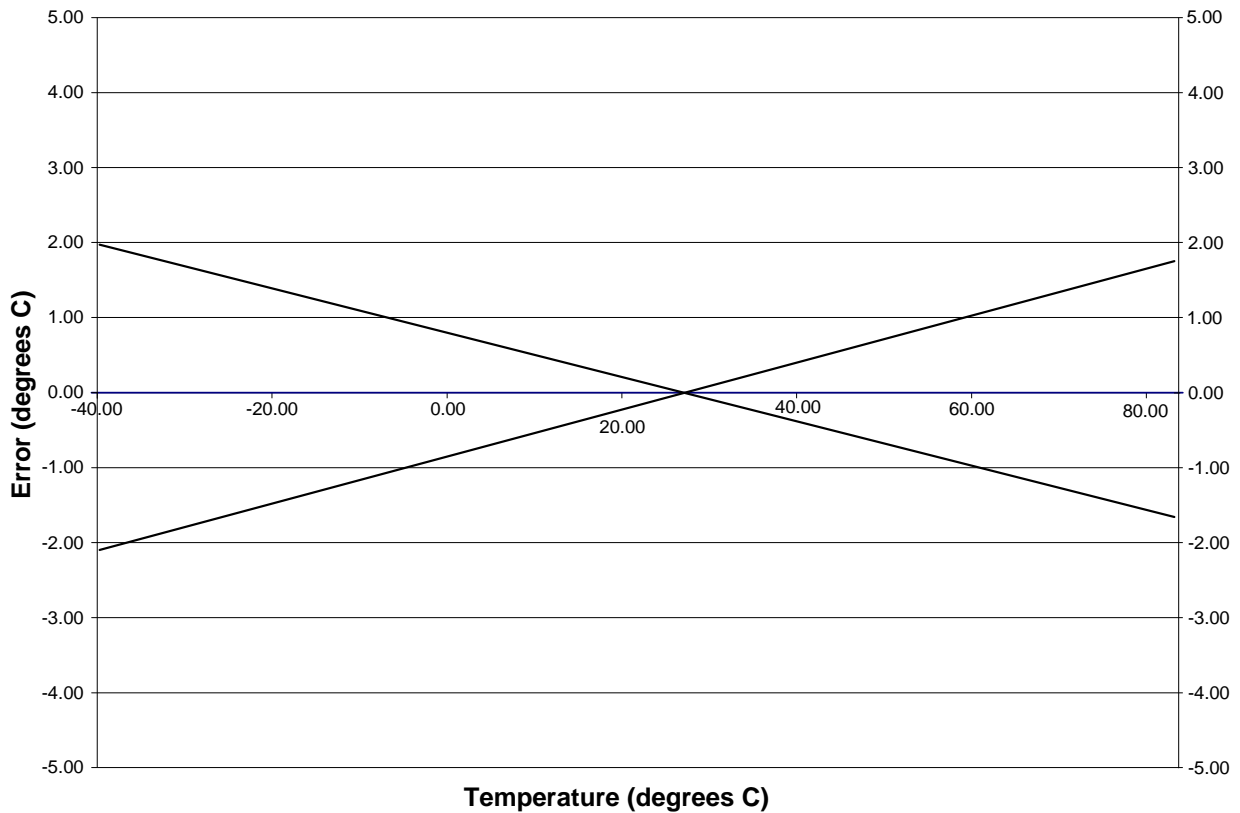


**Figure 5.2. Typical Temperature Sensor Transfer Function**

The uncalibrated temperature sensor output is extremely linear and suitable for relative temperature measurements (see Table 5.1 for linearity specifications). For absolute temperature measurements, gain and/or offset calibration is recommended. Typically a 1-point calibration includes the following steps:

- Step 1. Control/measure the ambient temperature (this temperature must be known).
- Step 2. Power the device, and delay for a few seconds to allow for self-heating.
- Step 3. Perform an ADC conversion with the temperature sensor selected as the positive input and GND selected as the negative input.
- Step 4. Calculate the offset and/or gain characteristics, and store these values in non-volatile memory for use with subsequent temperature sensor measurements.

Figure 5.3 shows the typical temperature sensor error assuming a 1-point calibration at 25 °C. **Note that parameters which affect ADC measurement, in particular the voltage reference value, will also affect temperature measurement.**



**Figure 5.3. Temperature Sensor Error with 1-Point Calibration**

# C8051F310/1/2/3/4/5/6/7

---

## 5.3. Modes of Operation

ADC0 has a maximum conversion speed of 200 ksps. The ADC0 conversion clock is a divided version of the system clock, determined by the AD0SC bits in the ADC0CF register (system clock divided by  $(AD0SC + 1)$  for  $0 \leq AD0SC \leq 31$ ).

### 5.3.1. Starting a Conversion

A conversion can be initiated in one of five ways, depending on the programmed states of the ADC0 Start of Conversion Mode bits (AD0CM2-0) in register ADC0CN. Conversions may be initiated by one of the following:

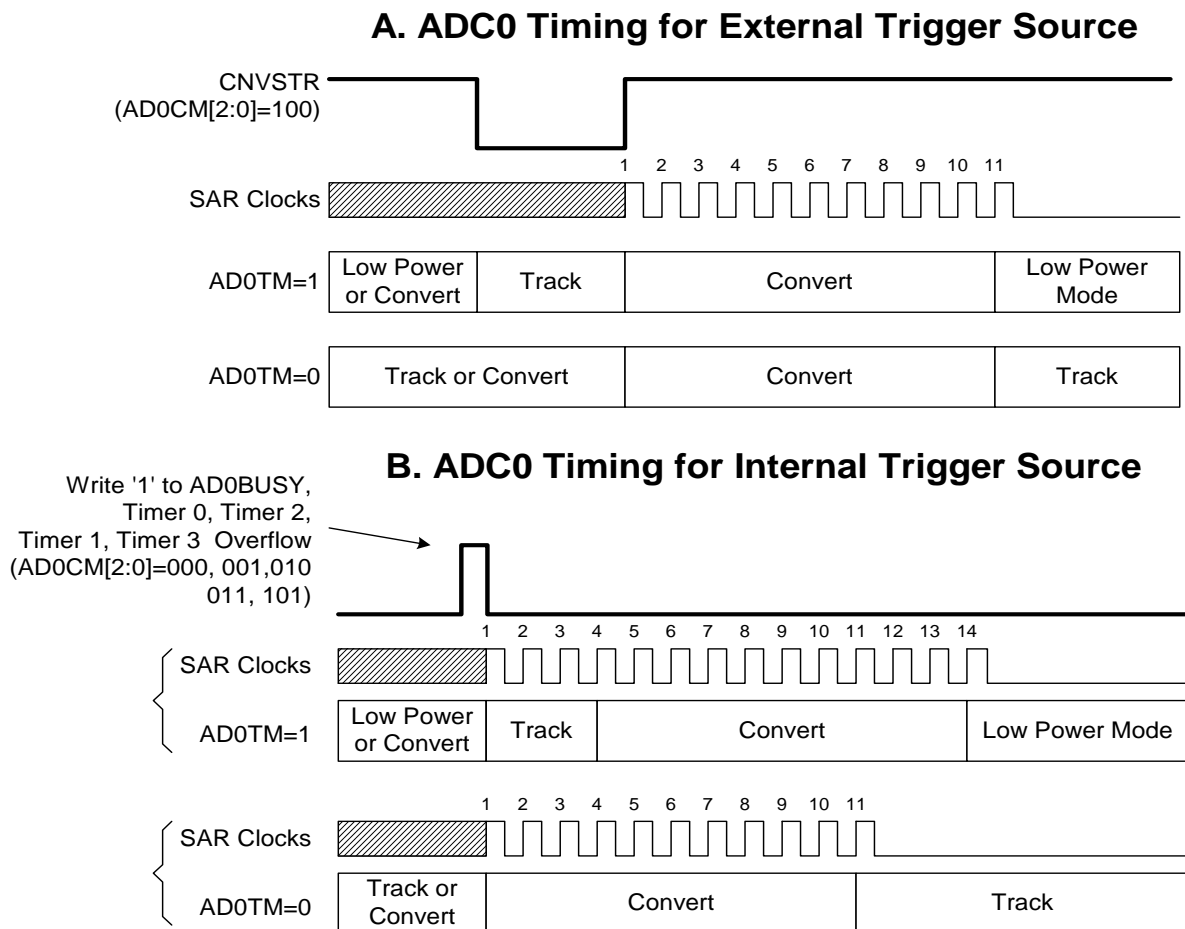
1. Writing a '1' to the AD0BUSY bit of register ADC0CN
2. A Timer 0 overflow (i.e., timed continuous conversions)
3. A Timer 2 overflow
4. A Timer 1 overflow
5. A rising edge on the CNVSTR input signal (pin P0.6)
6. A Timer 3 overflow

Writing a '1' to AD0BUSY provides software control of ADC0 whereby conversions are performed "on-demand". During conversion, the AD0BUSY bit is set to logic 1 and reset to logic 0 when the conversion is complete. The falling edge of AD0BUSY triggers an interrupt (when enabled) and sets the ADC0 interrupt flag (AD0INT). Note: When polling for ADC conversion completions, the ADC0 interrupt flag (AD0INT) should be used. Converted data is available in the ADC0 data registers, ADC0H:ADC0L, when bit AD0INT is logic 1. Note that when Timer 2 or Timer 3 overflows are used as the conversion source, Low Byte overflows are used if Timer 2/3 is in 8-bit mode; High byte overflows are used if Timer 2/3 is in 16-bit mode. See [Section "17. Timers" on page 187](#) for timer configuration.

**Important Note About Using CNVSTR:** The CNVSTR input pin also functions as Port pin P0.6. When the CNVSTR input is used as the ADC0 conversion source, Port pin P0.6 should be skipped by the Digital Crossbar. To configure the Crossbar to skip P0.6, set to '1' Bit6 in register P0SKIP. See [Section "13. Port Input/Output" on page 129](#) for details on Port I/O configuration.

## 5.3.2. Tracking Modes

According to Table 5.1, each ADC0 conversion must be preceded by a minimum tracking time for the converted result to be accurate. The AD0TM bit in register ADC0CN controls the ADC0 track-and-hold mode. In its default state, the ADC0 input is continuously tracked, except when a conversion is in progress. When the AD0TM bit is logic 1, ADC0 operates in low-power track-and-hold mode. In this mode, each conversion is preceded by a tracking period of 3 SAR clocks (after the start-of-conversion signal). When the CNVSTR signal is used to initiate conversions in low-power tracking mode, ADC0 tracks only when CNVSTR is low; conversion begins on the rising edge of CNVSTR (see Figure 5.4). Tracking can also be disabled (shut-down) when the device is in low power standby or sleep modes. Low-power track-and-hold mode is also useful when AMUX settings are frequently changed, due to the settling time requirements described in [Section “5.3.3. Settling Time Requirements” on page 56](#).



**Figure 5.4. 12-Bit ADC Track and Conversion Example Timing**

# C8051F310/1/2/3/4/5/6/7

## 5.3.3. Settling Time Requirements

When the ADC0 input configuration is changed (i.e., a different AMUX0 selection is made), a minimum tracking time is required before an accurate conversion can be performed. This tracking time is determined by the AMUX0 resistance, the ADC0 sampling capacitance, any external source resistance, and the accuracy required for the conversion. In low-power tracking mode, three SAR clocks are used for tracking at the start of every conversion. For most applications, these three SAR clocks will meet the minimum tracking time requirements.

Figure 5.5 shows the equivalent ADC0 input circuits for both Differential and Single-ended modes. Notice that the equivalent time constant for both input circuits is the same. The required ADC0 settling time for a given settling accuracy (SA) may be approximated by Equation 5.1. When measuring the Temperature Sensor output or  $V_{DD}$  with respect to GND,  $R_{TOTAL}$  reduces to  $R_{MUX}$ . See Table 5.1 for ADC0 minimum settling time requirements.

### Equation 5.1. ADC0 Settling Time Requirements

$$t = \ln\left(\frac{2^n}{SA}\right) \times R_{TOTAL} C_{SAMPLE}$$

Where:

SA is the settling accuracy, given as a fraction of an LSB (for example, 0.25 to settle within 1/4 LSB)

t is the required settling time in seconds

$R_{TOTAL}$  is the sum of the AMUX0 resistance and any external source resistance.

n is the ADC resolution in bits (12).

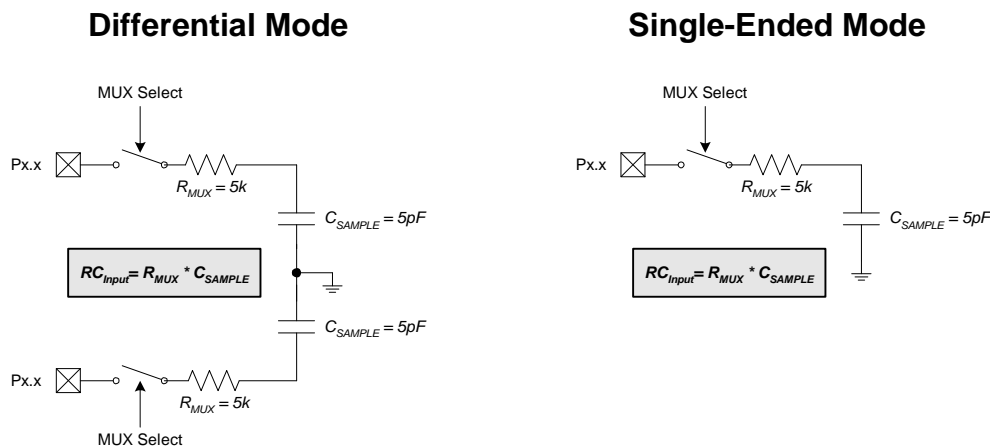


Figure 5.5. ADC0 Equivalent Input Circuits



## SFR Definition 5.1. AMX0P: AMUX0 Positive Channel Select

R	R	R	R/W	R/W	R/W	R/W	R/W	Reset Value
-	-	-	AMX0P4	AMX0P3	AMX0P2	AMX0P1	AMX0P0	00000000
Bit7	Bit6	Bit5	Bit4	Bit3	Bit2	Bit1	Bit0	SFR Address: 0xBB

Bits7–5: UNUSED. Read = 000b; Write = don't care.

Bits4–0: AMX0P4–0: AMUX0 Positive Input Selection

AMX0P4–0	ADC0 Positive Input
00000	P1.0
00001	P1.1
00010	P1.2
00011	P1.3
00100	P1.4
00101	P1.5
00110	P1.6 <sup>(1)</sup>
00111	P1.7 <sup>(1)</sup>
01000	P2.0
01001	P2.1
01010	P2.2
01011	P2.3
01100	P2.4
01101	P2.5
01110	P2.6 <sup>(1)</sup>
01111	P2.7 <sup>(1)</sup>
10000	P3.0
10001 <sup>(2)</sup>	P3.1 <sup>(2)</sup>
10010 <sup>(2)</sup>	P3.2 <sup>(2)</sup>
10011 <sup>(2)</sup>	P3.3 <sup>(2)</sup>
10100 <sup>(2)</sup>	P3.4 <sup>(2)</sup>
10101–11101	RESERVED
11110	Temp Sensor
11111	V <sub>DD</sub>

**Notes:**

1. Only applies to C8051F310/1/2/3/4/5; selection RESERVED on C8051F316/7 devices.
2. Only applies to C8051F310/2; selection RESERVED on C8051F311/3/6/7 devices.

# C8051F310/1/2/3/4/5/6/7

## SFR Definition 5.2. AMX0N: AMUX0 Negative Channel Select

R	R	R	R/W	R/W	R/W	R/W	R/W	Reset Value
-	-	-	AMX0N4	AMX0N3	AMX0N2	AMX0N1	AMX0N0	00000000
Bit7	Bit6	Bit5	Bit4	Bit3	Bit2	Bit1	Bit0	SFR Address: 0xBA

Bits7–5: UNUSED. Read = 000b; Write = don't care.

Bits4–0: AMX0N4–0: AMUX0 Negative Input Selection.

Note that when GND is selected as the Negative Input, ADC0 operates in Single-ended mode. For all other Negative Input selections, ADC0 operates in Differential mode.

AMX0N4–0	ADC0 Negative Input
00000	P1.0
00001	P1.1
00010	P1.2
00011	P1.3
00100	P1.4
00101	P1.5
00110	P1.6 <sup>(1)</sup>
00111	P1.7 <sup>(1)</sup>
01000	P2.0
01001	P2.1
01010	P2.2
01011	P2.3
01100	P2.4
01101	P2.5
01110	P2.6 <sup>(1)</sup>
01111	P2.7 <sup>(1)</sup>
10000	P3.0
10001 <sup>(2)</sup>	P3.1 <sup>(2)</sup>
10010 <sup>(2)</sup>	P3.2 <sup>(2)</sup>
10011 <sup>(2)</sup>	P3.3 <sup>(2)</sup>
10100 <sup>(2)</sup>	P3.4 <sup>(2)</sup>
10101–11101	RESERVED
11110	VREF
11111	GND (ADC in Single-Ended Mode)

**Notes:**

1. Only applies to C8051F310/1/2/3/4/5; selection RESERVED on C8051F316/7 devices.
2. Only applies to C8051F310/2; selection RESERVED on C8051F311/3/6/7 devices.

## SFR Definition 5.3. ADC0CF: ADC0 Configuration

R/W	R/W	R/W	R/W	R/W	R/W	R/W	R/W	Reset Value
AD0SC4	AD0SC3	AD0SC2	AD0SC1	AD0SC0	AD0LJST	-	-	11111000
Bit7	Bit6	Bit5	Bit4	Bit3	Bit2	Bit1	Bit0	SFR Address: 0xBC

Bits7–3: AD0SC4–0: ADC0 SAR Conversion Clock Period Bits.  
SAR Conversion clock is derived from system clock by the following equation, where AD0SC refers to the 5-bit value held in bits AD0SC4–0. SAR Conversion clock requirements are given in Table 5.1.

$$AD0SC = \frac{SYSCLK}{CLK_{SAR}} - 1$$

Bit2: AD0LJST: ADC0 Left Justify Select.  
0: Data in ADC0H:ADC0L registers are right-justified.  
1: Data in ADC0H:ADC0L registers are left-justified.

Bits1–0: UNUSED. Read = 00b; Write = don't care.

## SFR Definition 5.4. ADC0H: ADC0 Data Word MSB

R/W	R/W	R/W	R/W	R/W	R/W	R/W	R/W	Reset Value
								00000000
Bit7	Bit6	Bit5	Bit4	Bit3	Bit2	Bit1	Bit0	SFR Address: 0xBE

Bits7–0: ADC0 Data Word High-Order Bits.  
For AD0LJST = 0: Bits 7–2 are the sign extension of Bit1. Bits 1–0 are the upper 2 bits of the 12-bit ADC0 Data Word.  
For AD0LJST = 1: Bits 7–0 are the most-significant bits of the 12-bit ADC0 Data Word.

## SFR Definition 5.5. ADC0L: ADC0 Data Word LSB

R/W	R/W	R/W	R/W	R/W	R/W	R/W	R/W	Reset Value
								00000000
Bit7	Bit6	Bit5	Bit4	Bit3	Bit2	Bit1	Bit0	SFR Address: 0xBD

Bits7–0: ADC0 Data Word Low-Order Bits.  
For AD0LJST = 0: Bits 7–0 are the lower 8 bits of the 12-bit Data Word.  
For AD0LJST = 1: Bits 7–6 are the lower 2 bits of the 12-bit Data Word. Bits 5–0 will always read '0'.

# C8051F310/1/2/3/4/5/6/7

## SFR Definition 5.6. ADC0CN: ADC0 Control

R/W	R/W	R/W	R/W	R/W	R/W	R/W	R/W	Reset Value
AD0EN	AD0TM	AD0INT	AD0BUSY	AD0WINT	AD0CM2	AD0CM1	AD0CM0	00000000
Bit7	Bit6	Bit5	Bit4	Bit3	Bit2	Bit1	Bit0	SFR Address: (bit addressable) 0xE8

Bit7: AD0EN: ADC0 Enable Bit.  
0: ADC0 Disabled. ADC0 is in low-power shutdown.  
1: ADC0 Enabled. ADC0 is active and ready for data conversions.

Bit6: AD0TM: ADC0 Track Mode Bit.  
0: Normal Track Mode: When ADC0 is enabled, tracking is continuous unless a conversion is in progress.  
1: Low-power Track Mode: Tracking Defined by AD0CM2-0 bits (see below).

Bit5: AD0INT: ADC0 Conversion Complete Interrupt Flag.  
0: ADC0 has not completed a data conversion since the last time AD0INT was cleared.  
1: ADC0 has completed a data conversion.

Bit4: AD0BUSY: ADC0 Busy Bit.  
Read:  
0: ADC0 conversion is complete or a conversion is not currently in progress. AD0INT is set to logic 1 on the falling edge of AD0BUSY.  
1: ADC0 conversion is in progress.  
Write:  
0: No Effect.  
1: Initiates ADC0 Conversion if AD0CM2-0 = 000b

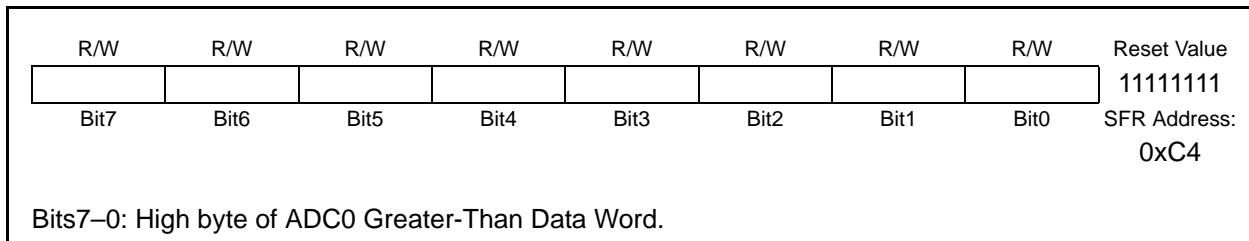
Bit3: AD0WINT: ADC0 Window Compare Interrupt Flag.  
0: ADC0 Window Comparison Data match has not occurred since this flag was last cleared.  
1: ADC0 Window Comparison Data match has occurred.

Bits2-0: AD0CM2-0: ADC0 Start of Conversion Mode Select.  
When AD0TM = 0:  
000: ADC0 conversion initiated on every write of '1' to AD0BUSY.  
001: ADC0 conversion initiated on overflow of Timer 0.  
010: ADC0 conversion initiated on overflow of Timer 2.  
011: ADC0 conversion initiated on overflow of Timer 1.  
100: ADC0 conversion initiated on rising edge of external CNVSTR.  
101: ADC0 conversion initiated on overflow of Timer 3.  
11x: Reserved.  
When AD0TM = 1:  
000: Tracking initiated on write of '1' to AD0BUSY and lasts 3 SAR clocks, followed by conversion.  
001: Tracking initiated on overflow of Timer 0 and lasts 3 SAR clocks, followed by conversion.  
010: Tracking initiated on overflow of Timer 2 and lasts 3 SAR clocks, followed by conversion.  
011: Tracking initiated on overflow of Timer 1 and lasts 3 SAR clocks, followed by conversion.  
100: ADC0 tracks only when CNVSTR input is logic low; conversion starts on rising CNVSTR edge.  
101: Tracking initiated on overflow of Timer 3 and lasts 3 SAR clocks, followed by conversion.  
11x: Reserved.

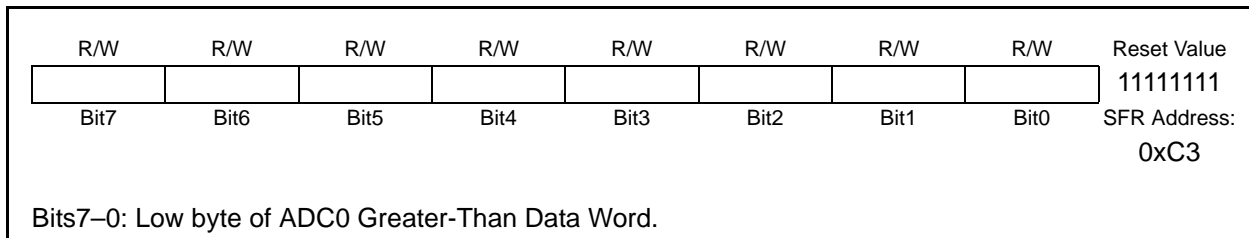
## 5.4. Programmable Window Detector

The ADC Programmable Window Detector continuously compares the ADC0 output registers to user-programmed limits, and notifies the system when a desired condition is detected. This is especially effective in an interrupt-driven system, saving code space and CPU bandwidth while delivering faster system response times. The window detector interrupt flag (AD0WINT in register ADC0CN) can also be used in polled mode. The ADC0 Greater-Than (ADC0GTH, ADC0GTL) and Less-Than (ADC0LTH, ADC0LTL) registers hold the comparison values. The window detector flag can be programmed to indicate when measured data is inside or outside of the user-programmed limits, depending on the contents of the ADC0 Less-Than and ADC0 Greater-Than registers.

### SFR Definition 5.7. ADC0GTH: ADC0 Greater-Than Data High Byte

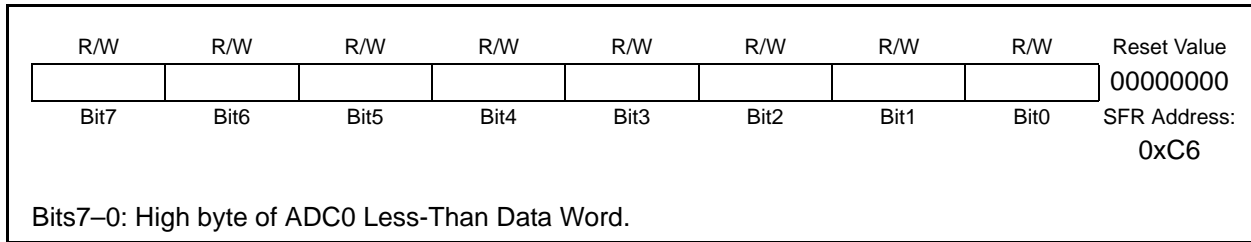


### SFR Definition 5.8. ADC0GTL: ADC0 Greater-Than Data Low Byte

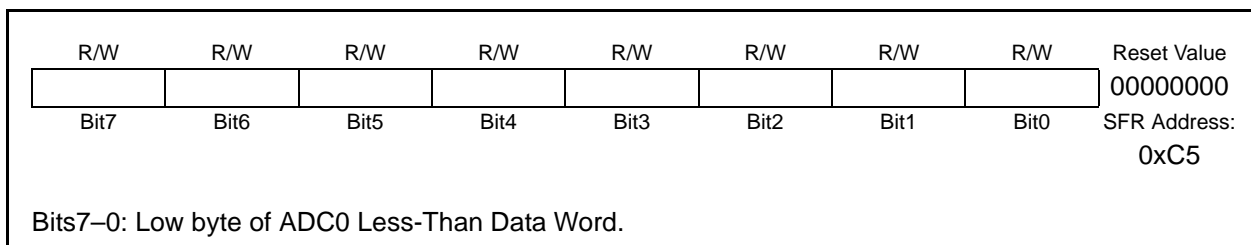


# C8051F310/1/2/3/4/5/6/7

## SFR Definition 5.9. ADC0LTH: ADC0 Less-Than Data High Byte

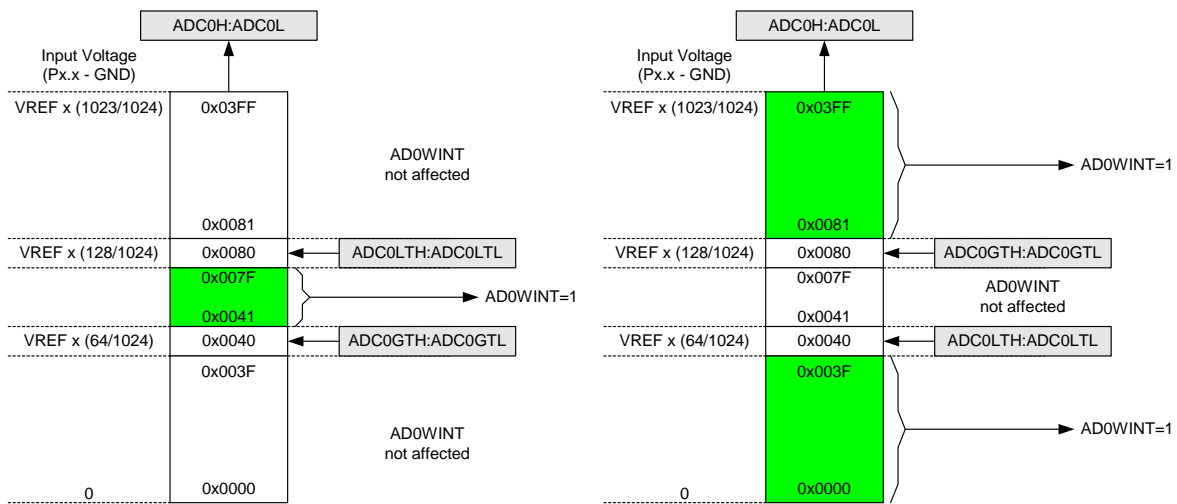


## SFR Definition 5.10. ADC0LTL: ADC0 Less-Than Data Low Byte

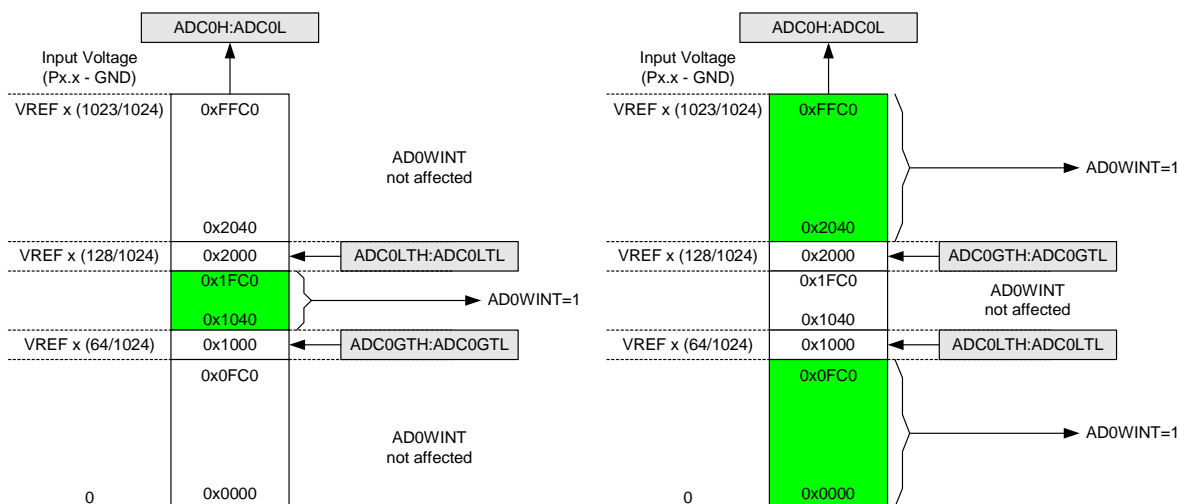


## 5.4.1. Window Detector In Single-Ended Mode

Figure 5.6 shows two example window comparisons for right-justified, single-ended data, with  $ADC0LTH:ADC0LTL = 0x0080$  (128d) and  $ADC0GTH:ADC0GTL = 0x0040$  (64d). In single-ended mode, the input voltage can range from '0' to  $VREF \times (1023/1024)$  with respect to GND, and is represented by a 10-bit unsigned integer value. In the left example, an  $AD0WINT$  interrupt will be generated if the  $ADC0$  conversion word ( $ADC0H:ADC0L$ ) is within the range defined by  $ADC0GTH:ADC0GTL$  and  $ADC0LTH:ADC0LTL$  (if  $0x0040 < ADC0H:ADC0L < 0x0080$ ). In the right example, and  $AD0WINT$  interrupt will be generated if the  $ADC0$  conversion word is outside of the range defined by the  $ADC0GT$  and  $ADC0LT$  registers (if  $ADC0H:ADC0L < 0x0040$  or  $ADC0H:ADC0L > 0x0080$ ). Figure 5.7 shows an example using left-justified data with the same comparison values.



**Figure 5.6. ADC Window Compare Example: Right-Justified Single-Ended Data**



**Figure 5.7. ADC Window Compare Example: Left-Justified Single-Ended Data**

# C8051F310/1/2/3/4/5/6/7

## 5.4.2. Window Detector In Differential Mode

Figure 5.8 shows two example window comparisons for right-justified, differential data, with  $ADC0LTH:ADC0LTL = 0x0040$  (+64d) and  $ADC0GTH:ADC0GTL = 0xFFFF$  (-1d). In differential mode, the measurable voltage between the input pins is between  $-VREF$  and  $VREF \cdot (511/512)$ . Output codes are represented as 12-bit 2's complement signed integers. In the left example, an  $AD0WINT$  interrupt will be generated if the  $ADC0$  conversion word ( $ADC0H:ADC0L$ ) is within the range defined by  $ADC0GTH:ADC0GTL$  and  $ADC0LTH:ADC0LTL$  (if  $0xFFFF$  (-1d) <  $ADC0H:ADC0L$  <  $0x0040$  (64d)). In the right example, an  $AD0WINT$  interrupt will be generated if the  $ADC0$  conversion word is outside of the range defined by the  $ADC0GT$  and  $ADC0LT$  registers (if  $ADC0H:ADC0L$  <  $0xFFFF$  (-1d) or  $ADC0H:ADC0L$  >  $0x0040$  (+64d)). Figure 5.9 shows an example using left-justified data with the same comparison values.

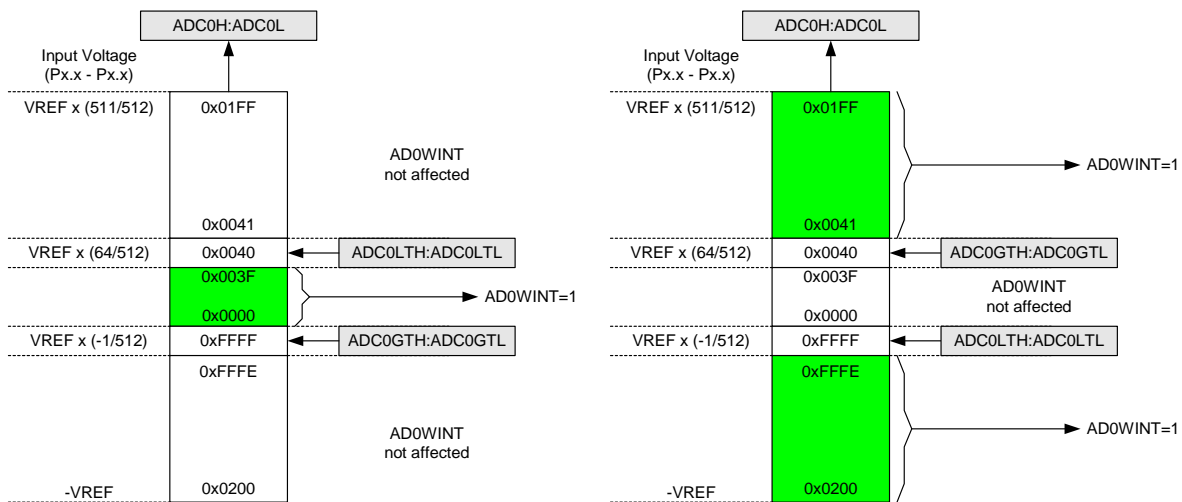


Figure 5.8. ADC Window Compare Example: Right-Justified Differential Data

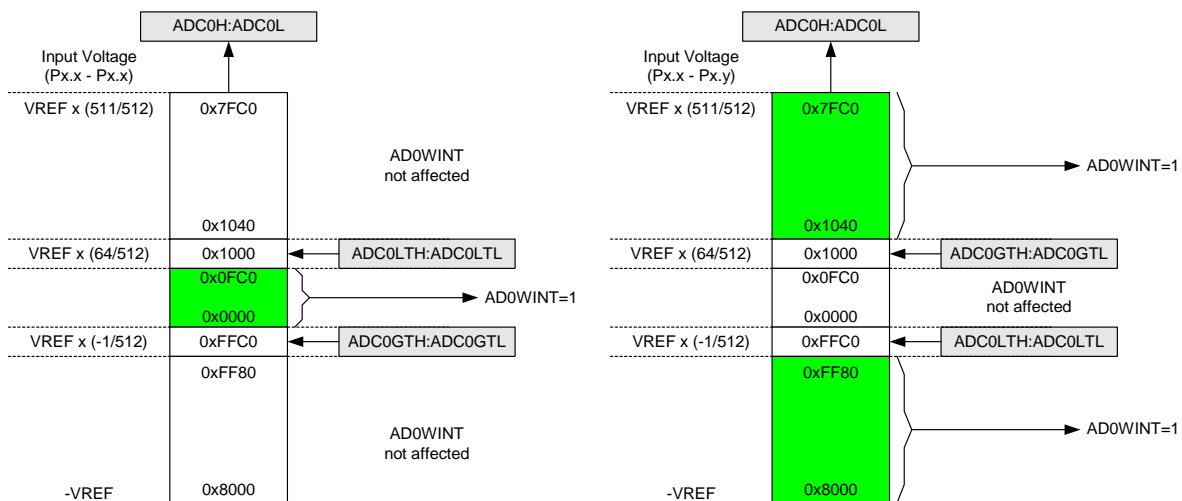


Figure 5.9. ADC Window Compare Example: Left-Justified Differential Data



**Table 5.1. ADC0 Electrical Characteristics**

$V_{DD} = 3.0\text{ V}$ ,  $V_{REF} = 2.40\text{ V}$  (REFSL=0),  $-40$  to  $+85\text{ }^{\circ}\text{C}$  unless otherwise specified

Parameter	Conditions	Min	Typ	Max	Units
<b>DC Accuracy</b>					
Resolution			12		bits
Integral Nonlinearity		—	$\pm 0.5$	$\pm 1$	LSB
Differential Nonlinearity	Guaranteed Monotonic	—	$\pm 0.5$	$\pm 1$	LSB
Offset Error		-12	1	+12	LSB
Full Scale Error	Differential mode	-15	-5	+5	LSB
Offset Temperature Coefficient		—	3.6	—	ppm/ $^{\circ}\text{C}$
<b>Dynamic Performance (10 kHz sine-wave Single-ended input, 0 to 1 dB below Full Scale, 200 ksps)</b>					
Signal-to-Noise Plus Distortion		53	55.5	—	dB
Total Harmonic Distortion	Up to the 5 <sup>th</sup> harmonic	—	-67	—	dB
Spurious-Free Dynamic Range		—	78	—	dB
<b>Conversion Rate</b>					
SAR Conversion Clock		—	—	3	MHz
Conversion Time in SAR Clocks		10	—	—	clocks
Track/Hold Acquisition Time		300	—	—	ns
Throughput Rate		—	—	200	ksps
<b>Analog Inputs</b>					
Input Voltage Range		0	—	$V_{REF}$	V
Input Capacitance		—	5	—	pF
<b>Temperature Sensor</b>					
Linearity*		—	$\pm 0.5$	—	$^{\circ}\text{C}$
Gain*		—	$3350 \pm 10$	—	$\mu\text{V} / ^{\circ}\text{C}$
Offset*	(Temp = $0\text{ }^{\circ}\text{C}$ )	—	$897 \pm 31$	—	mV
<b>Power Specifications</b>					
Power Supply Current ( $V_{DD}$ supplied to ADC0)	Operating Mode, 200 ksps	—	400	900	$\mu\text{A}$
Power Supply Rejection		—	$\pm 0.3$	—	mV/V
<b>*Note:</b> Represents one standard deviation from the mean. Includes ADC offset, gain, and linearity variations.					

# C8051F310/1/2/3/4/5/6/7

---

**NOTES:**

## 6. Voltage Reference (C8051F310/1/2/3/6 only)

The voltage reference MUX on C8051F310/1/2/3/6 devices is configurable to use an externally connected voltage reference, or the power supply voltage (see Figure 6.1). The REFSL bit in the Reference Control register (REF0CN) selects the reference source. For an external source, REFSL should be set to '0'; For  $V_{DD}$  as the reference source, REFSL should be set to '1'.

The BIASE bit enables the internal voltage bias generator, which is used by the ADC, Temperature Sensor, and Internal Oscillator. This bit is forced to logic 1 when any of the aforementioned peripherals is enabled. The bias generator may be enabled manually by writing a '1' to the BIASE bit in register REF0CN; see SFR Definition 6.1 for REF0CN register details. The electrical specifications for the voltage reference circuit are given in Table 6.1.

**Important Note About the VREF Input:** Port pin P0.0 is used as the external VREF input. When using an external voltage reference, P0.0 should be configured as analog input and skipped by the Digital Crossbar. To configure P0.0 as analog input, set to '0' Bit0 in register P0MDIN. To configure the Crossbar to skip P0.0, set to '1' Bit0 in register P0SKIP. Refer to [Section "13. Port Input/Output" on page 129](#) for complete Port I/O configuration details.

The temperature sensor connects to the highest order input of the ADC0 positive input multiplexer (see [Section "5.1. Analog Multiplexer" on page 51](#) for details). The TEMPE bit in register REF0CN enables/disables the temperature sensor. While disabled, the temperature sensor defaults to a high impedance state and any ADC0 measurements performed on the sensor result in meaningless data.

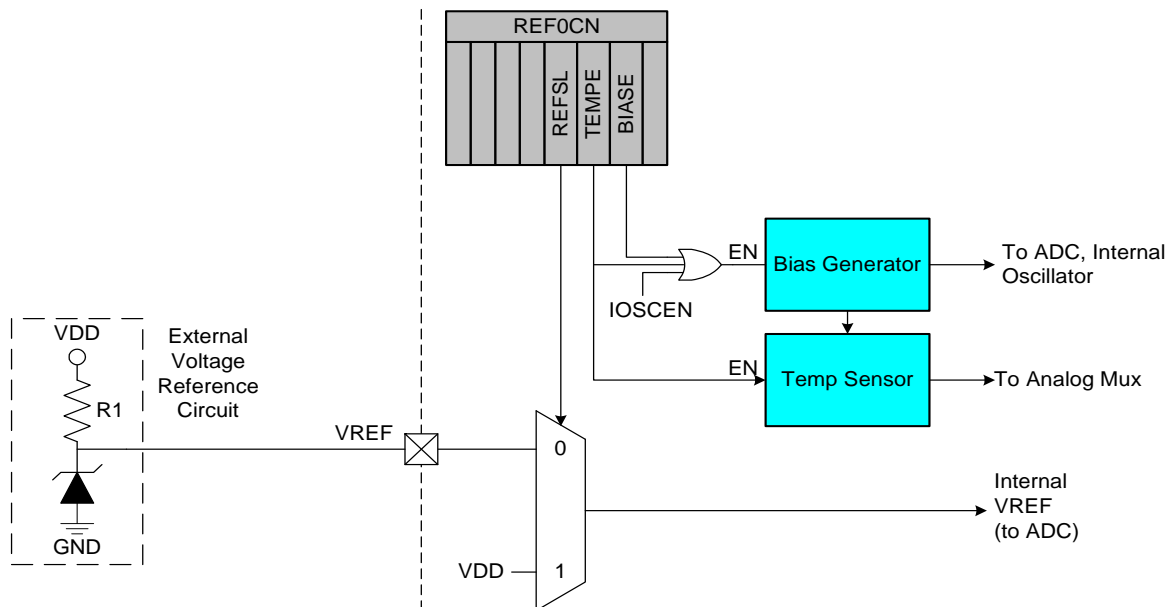


Figure 6.1. Voltage Reference Functional Block Diagram

# C8051F310/1/2/3/4/5/6/7

## SFR Definition 6.1. REF0CN: Reference Control

R/W	R/W	R/W	R/W	R/W	R/W	R/W	R/W	Reset Value
				REFSL	TEMPE	BIASE		00000000
Bit7	Bit6	Bit5	Bit4	Bit3	Bit2	Bit1	Bit0	SFR Address: 0xD1

Bits7–4: UNUSED. Read = 0000b; Write = don't care.  
 Bit3: REFSL: Voltage Reference Select.  
 This bit selects the source for the internal voltage reference.  
 0: VREF input pin used as voltage reference.  
 1: V<sub>DD</sub> used as voltage reference.  
 Bit2: TEMPE: Temperature Sensor Enable Bit.  
 0: Internal Temperature Sensor off.  
 1: Internal Temperature Sensor on.  
 Bit1: BIASE: Internal Analog Bias Generator Enable Bit. (Must be '1' if using ADC).  
 0: Internal Bias Generator off.  
 1: Internal Bias Generator on.  
 Bit0: UNUSED. Read = 0b. Write = don't care.

**Table 6.1. External Voltage Reference Circuit Electrical Characteristics**

V<sub>DD</sub> = 3.0 V; –40 to +85 °C unless otherwise specified

Parameter	Conditions	Min	Typ	Max	Units
Input Voltage Range		0		V <sub>DD</sub>	V
Input Current	Sample Rate = 200 ksps; VREF = 3.0 V		12		μA

## 7. Comparators

C8051F31x devices include two on-chip programmable voltage comparators: Comparator0 is shown in Figure 7.1; Comparator1 is shown in Figure 7.2. The two comparators operate identically with the following exceptions: (1) Their input selections differ as shown in Figure 7.1 and Figure 7.2; (2) Comparator0 can be used as a reset source.

The Comparator offers programmable response time and hysteresis, an analog input multiplexer, and two outputs that are optionally available at the Port pins: a synchronous “latched” output (CP0, CP1), or an asynchronous “raw” output (CP0A, CP1A). The asynchronous CP0A signal is available even when the system clock is not active. This allows the Comparator to operate and generate an output with the device in STOP mode. When assigned to a Port pin, the Comparator output may be configured as open drain or push-pull (see [Section “13.2. Port I/O Initialization” on page 133](#)). Comparator0 may also be used as a reset source (see [Section “9.5. Comparator0 Reset” on page 108](#)).

The Comparator0 inputs are selected in the CPT0MX register (SFR Definition 7.2). The CMX0P1-CMX0P0 bits select the Comparator0 positive input; the CMX0N1-CMX0N0 bits select the Comparator0 negative input. The Comparator1 inputs are selected in the CPT1MX register (SFR Definition 7.5). The CMX1P1-CMX1P0 bits select the Comparator1 positive input; the CMX1N1-CMX1N0 bits select the Comparator1 negative input.

**Important Note About Comparator Inputs:** The Port pins selected as comparator inputs should be configured as analog inputs in their associated Port configuration register, and configured to be skipped by the Crossbar (for details on Port configuration, see [Section “13.3. General Purpose Port I/O” on page 135](#)).

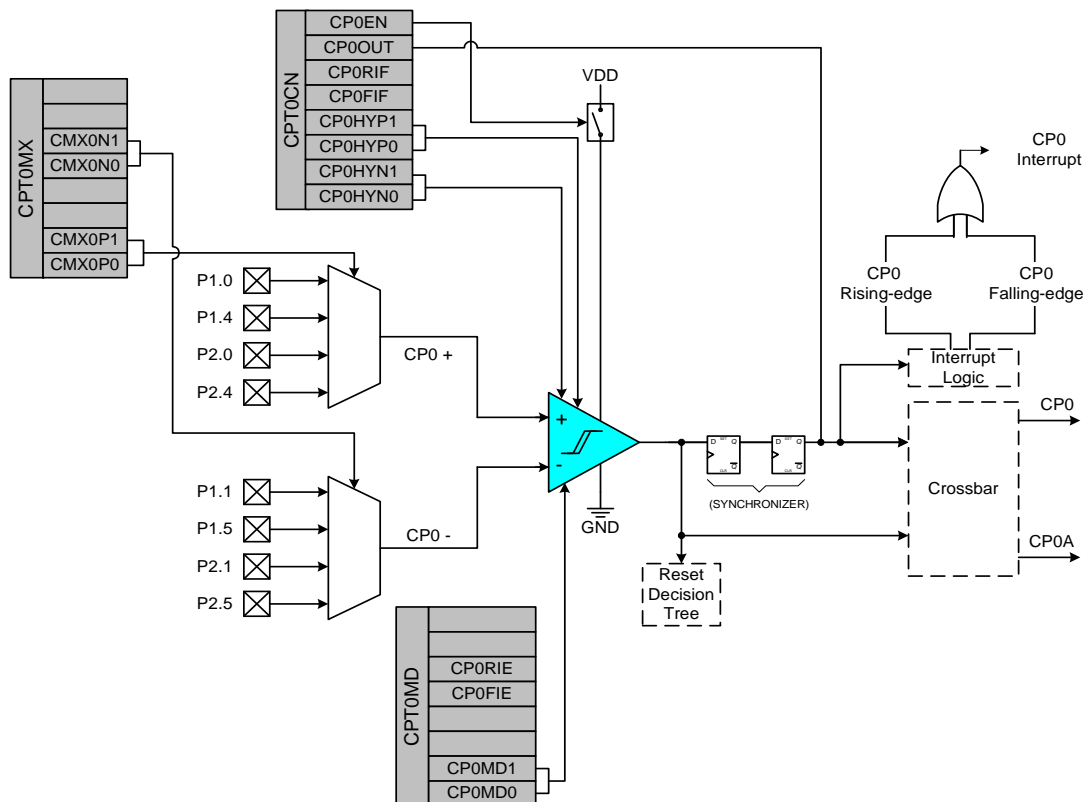
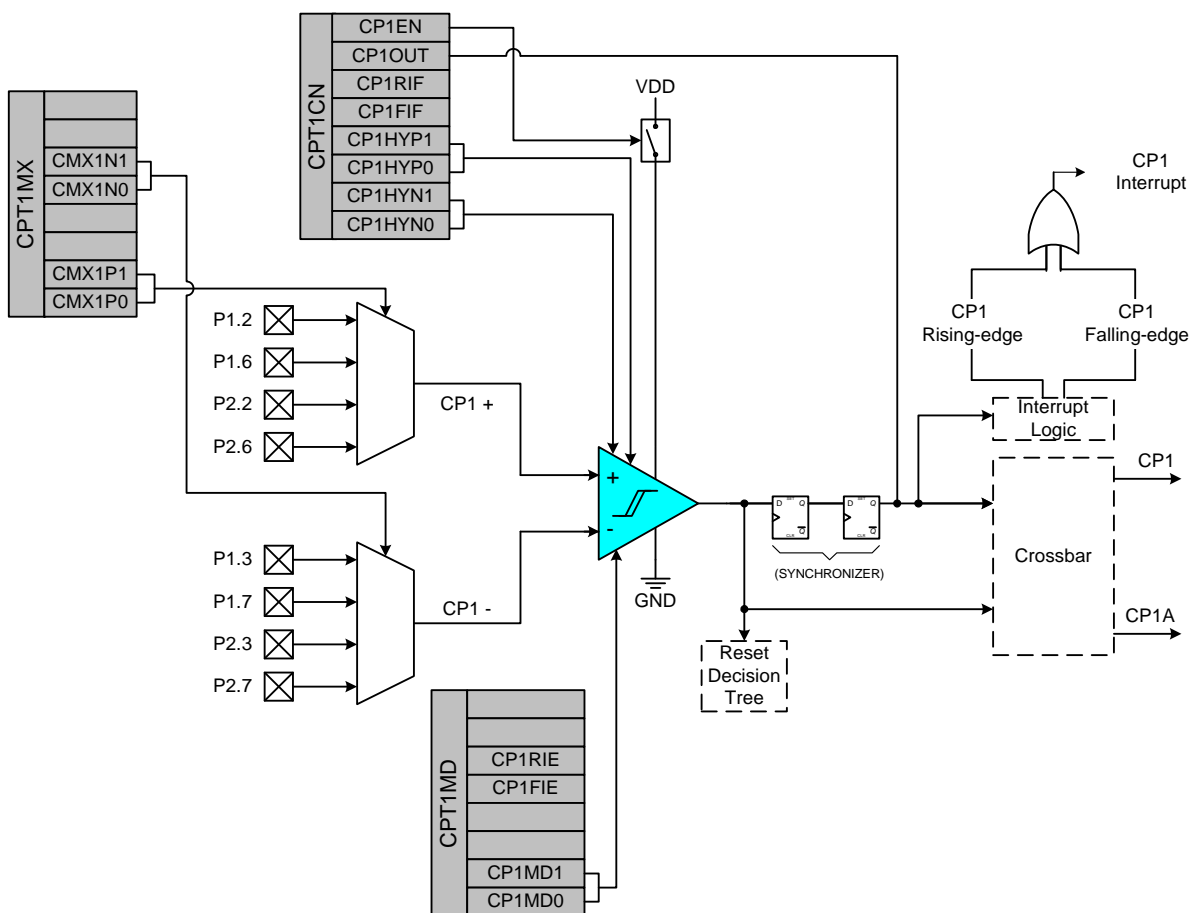


Figure 7.1. Comparator0 Functional Block Diagram

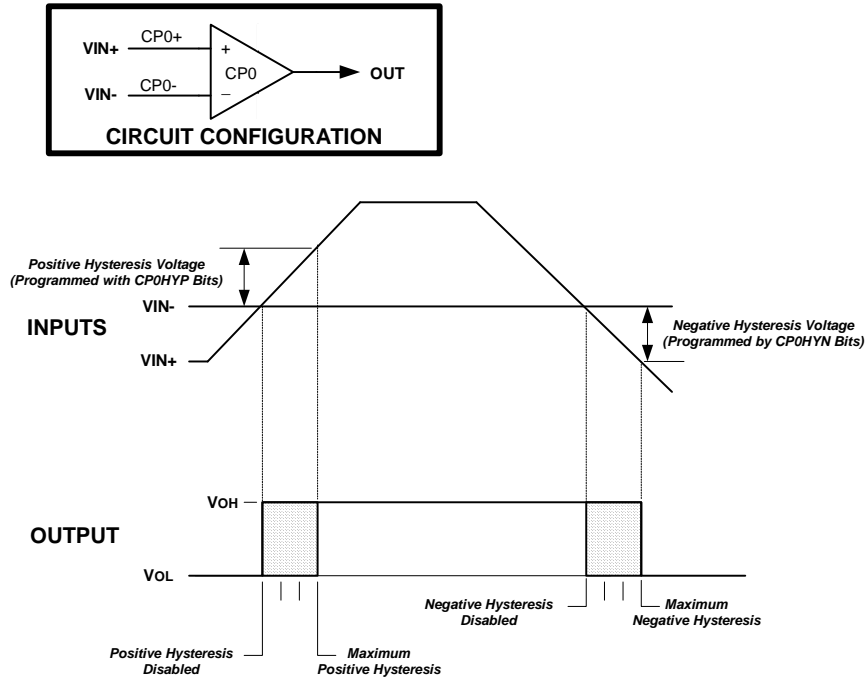
# C8051F310/1/2/3/4/5/6/7

The Comparator output can be polled in software, used as an interrupt source, and/or routed to a Port pin. When routed to a Port pin, the Comparator output is available asynchronous or synchronous to the system clock; the asynchronous output is available even in STOP mode (with no system clock active). When disabled, the Comparator output (if assigned to a Port I/O pin via the Crossbar) defaults to the logic low state, and its supply current falls to less than 100 nA. See [Section “13.1. Priority Crossbar Decoder” on page 131](#) for details on configuring Comparator outputs via the digital Crossbar. Comparator inputs can be externally driven from  $-0.25\text{ V}$  to  $(V_{DD}) + 0.25\text{ V}$  without damage or upset. The complete Comparator electrical specifications are given in Table 7.1.

The Comparator response time may be configured in software via the CPTnMD registers (see SFR Definition 7.3 and SFR Definition 7.6). Selecting a longer response time reduces the Comparator supply current. See Table 7.1 for complete timing and current consumption specifications.



**Figure 7.2. Comparator1 Functional Block Diagram**



**Figure 7.3. Comparator Hysteresis Plot**

The Comparator hysteresis is software-programmable via its Comparator Control register CPTnCN (for  $n = 0$  or  $1$ ). The user can program both the amount of hysteresis voltage (referred to the input voltage) and the positive and negative-going symmetry of this hysteresis around the threshold voltage.

The Comparator hysteresis is programmed using Bits3-0 in the Comparator Control Register CPTnCN (shown in SFR Definition 7.1 and SFR Definition 7.4). The amount of negative hysteresis voltage is determined by the settings of the CPnHYN bits. As shown in Table 7.1, settings of 20, 10 or 5 mV of negative hysteresis can be programmed, or negative hysteresis can be disabled. In a similar way, the amount of positive hysteresis is determined by the setting the CPnHYP bits.

Comparator interrupts can be generated on both rising-edge and falling-edge output transitions. (For Interrupt enable and priority control, see [Section “8.3. Interrupt Handler” on page 93](#)). The CPnFIF flag is set to logic 1 upon a Comparator falling-edge interrupt, and the CPnRIF flag is set to logic 1 upon the Comparator rising-edge interrupt. Once set, these bits remain set until cleared by software. The output state of the Comparator can be obtained at any time by reading the CPnOUT bit. The Comparator is enabled by setting the CPnEN bit to logic 1, and is disabled by clearing this bit to logic 0.

The output state of the Comparator can be obtained at any time by reading the CPnOUT bit. The Comparator is enabled by setting the CPnEN bit to logic 1, and is disabled by clearing this bit to logic 0.

Note that false rising edges and falling edges can be detected when the comparator is first powered-on or if changes are made to the hysteresis or response time control bits. Therefore, it is recommended that the rising-edge and falling-edge flags be explicitly cleared to logic 0 a short time after the comparator is enabled or its mode bits have been changed. This Power Up Time is specified in Table 7.1 on page 78.

# C8051F310/1/2/3/4/5/6/7

## SFR Definition 7.1. CPT0CN: Comparator0 Control

R/W	R	R/W	R/W	R/W	R/W	R/W	R/W	Reset Value
CP0EN	CP0OUT	CP0RIF	CP0FIF	CP0HYP1	CP0HYP0	CP0HYN1	CP0HYN0	00000000
Bit7	Bit6	Bit5	Bit4	Bit3	Bit2	Bit1	Bit0	SFR Address: 0x9B
<p>Bit7: CP0EN: Comparator0 Enable Bit. 0: Comparator0 Disabled. 1: Comparator0 Enabled.</p> <p>Bit6: CP0OUT: Comparator0 Output State Flag. 0: Voltage on CP0+ &lt; CP0-. 1: Voltage on CP0+ &gt; CP0-.</p> <p>Bit5: CP0RIF: Comparator0 Rising-Edge Interrupt Flag. 0: No Comparator0 Rising Edge Interrupt has occurred since this flag was last cleared. 1: Comparator0 Rising Edge Interrupt has occurred.</p> <p>Bit4: CP0FIF: Comparator0 Falling-Edge Interrupt Flag. 0: No Comparator0 Falling-Edge Interrupt has occurred since this flag was last cleared. 1: Comparator0 Falling-Edge Interrupt has occurred.</p> <p>Bits3–2: CP0HYP1-0: Comparator0 Positive Hysteresis Control Bits. 00: Positive Hysteresis Disabled. 01: Positive Hysteresis = 5 mV. 10: Positive Hysteresis = 10 mV. 11: Positive Hysteresis = 20 mV.</p> <p>Bits1–0: CP0HYN1-0: Comparator0 Negative Hysteresis Control Bits. 00: Negative Hysteresis Disabled. 01: Negative Hysteresis = 5 mV. 10: Negative Hysteresis = 10 mV. 11: Negative Hysteresis = 20 mV.</p>								



## SFR Definition 7.2. CPT0MX: Comparator0 MUX Selection

R/W	R/W	R/W	R/W	R/W	R/W	R/W	R/W	Reset Value
-	-	CMX0N1	CMX0N0	-	-	CMX0P1	CMX0P0	00000000
Bit7	Bit6	Bit5	Bit4	Bit3	Bit2	Bit1	Bit0	SFR Address: 0x9F

Bits7–6: UNUSED. Read = 00b, Write = don't care.

Bits5–4: CMX0N1–CMX0N0: Comparator0 Negative Input MUX Select.

These bits select which Port pin is used as the Comparator0 negative input.

CMX0N1	CMX0N0	Negative Input
0	0	P1.1
0	1	P1.5
1	0	P2.1
1	1	P2.5

Bits3–2: UNUSED. Read = 00b, Write = don't care.

Bits1–0: CMX0P1–CMX0P0: Comparator0 Positive Input MUX Select.

These bits select which Port pin is used as the Comparator0 positive input.

CMX0P1	CMX0P0	Positive Input
0	0	P1.0
0	1	P1.4
1	0	P2.0
1	1	P2.4

# C8051F310/1/2/3/4/5/6/7

## SFR Definition 7.3. CPT0MD: Comparator0 Mode Selection

R/W	R/W	R/W	R/W	R/W	R/W	R/W	R/W	Reset Value
-	-	CP0RIE	CP0FIE	-	-	CP0MD1	CP0MD0	00000010
Bit7	Bit6	Bit5	Bit4	Bit3	Bit2	Bit1	Bit0	SFR Address: 0x9D

Bits7–6: UNUSED. Read = 00b. Write = don't care.

Bit5: CP0RIE: Comparator Rising-Edge Interrupt Enable.

0: Comparator rising-edge interrupt disabled.

1: Comparator rising-edge interrupt enabled.

Bit4: CP0FIE: Comparator Falling-Edge Interrupt Enable.

0: Comparator falling-edge interrupt disabled.

1: Comparator falling-edge interrupt enabled.

Bits1–0: CP0MD1–CP0MD0: Comparator0 Mode Select

These bits select the response time for Comparator0.

Mode	CP0MD1	CP0MD0	CP0 Response Time (TYP)
0	0	0	Fastest Response Time
1	0	1	—
2	1	0	—
3	1	1	Lowest Power Consumption

## SFR Definition 7.4. CPT1CN: Comparator1 Control

	R/W	R	R/W	R/W	R/W	R/W	R/W	R/W	Reset Value
	CP1EN	CP1OUT	CP1RIF	CP1FIF	CP1HYP1	CP1HYP0	CP1HYN1	CP1HYN0	00000000
	Bit7	Bit6	Bit5	Bit4	Bit3	Bit2	Bit1	Bit0	SFR Address: 0x9A
Bit7:	CP1EN: Comparator1 Enable Bit. 0: Comparator1 Disabled. 1: Comparator1 Enabled.								
Bit6:	CP1OUT: Comparator1 Output State Flag. 0: Voltage on CP1+ < CP1-. 1: Voltage on CP1+ > CP1-.								
Bit5:	CP1RIF: Comparator1 Rising-Edge Interrupt Flag. 0: No Comparator1 Rising Edge Interrupt has occurred since this flag was last cleared. 1: Comparator1 Rising Edge Interrupt has occurred.								
Bit4:	CP1FIF: Comparator1 Falling-Edge Interrupt Flag. 0: No Comparator1 Falling-Edge Interrupt has occurred since this flag was last cleared. 1: Comparator1 Falling-Edge Interrupt has occurred.								
Bits3–2:	CP1HYP1–0: Comparator1 Positive Hysteresis Control Bits. 00: Positive Hysteresis Disabled. 01: Positive Hysteresis = 5 mV. 10: Positive Hysteresis = 10 mV. 11: Positive Hysteresis = 20 mV.								
Bits1–0:	CP1HYN1–0: Comparator1 Negative Hysteresis Control Bits. 00: Negative Hysteresis Disabled. 01: Negative Hysteresis = 5 mV. 10: Negative Hysteresis = 10 mV. 11: Negative Hysteresis = 20 mV.								

# C8051F310/1/2/3/4/5/6/7

## SFR Definition 7.5. CPT1MX: Comparator1 MUX Selection

R/W	R/W	R/W	R/W	R/W	R/W	R/W	R/W	Reset Value
-	-	CMX1N1	CMX1N0	-	-	CMX1P1	CMX1P0	00000000
Bit7	Bit6	Bit5	Bit4	Bit3	Bit2	Bit1	Bit0	SFR Address: 0x9E

Bits7–6: UNUSED. Read = 00b, Write = don't care.

Bits5–4: CMX1N1–CMX1N0: Comparator1 Negative Input MUX Select.

These bits select which Port pin is used as the Comparator1 negative input.

CMX1N1	CMX1N0	Negative Input
0	0	P1.3
0	1	P1.7
1	0	P2.3
1	1	P2.7

Bits3–2: UNUSED. Read = 00b, Write = don't care.

Bits1–0: CMX1P1–CMX1P0: Comparator1 Positive Input MUX Select.

These bits select which Port pin is used as the Comparator1 positive input.

CMX1P1	CMX1P0	Positive Input
0	0	P1.2
0	1	P1.6
1	0	P2.2
1	1	P2.6

## SFR Definition 7.6. CPT1MD: Comparator1 Mode Selection

R/W	R/W	R/W	R/W	R/W	R/W	R/W	R/W	Reset Value
-	-	CP1RIE	CP1FIE	-	-	CP1MD1	CP1MD0	00000010
Bit7	Bit6	Bit5	Bit4	Bit3	Bit2	Bit1	Bit0	SFR Address: 0x9C

Bits7–6: UNUSED. Read = 00b, Write = don't care.

Bit5: CP1RIE: Comparator Rising-Edge Interrupt Enable.

0: Comparator rising-edge interrupt disabled

1: Comparator rising-edge interrupt enabled.

Bit4: CP1FIE: Comparator Falling-Edge Interrupt Enable.

0: Comparator falling-edge interrupt disabled.

1: Comparator falling-edge interrupt enabled.

Bits1–0: CP1MD1–CP1MD0: Comparator1 Mode Select.

These bits select the response time for Comparator1.

Mode	CP1MD1	CP1MD0	CP1 Response Time (TYP)
0	0	0	Fastest Response Time
1	0	1	—
2	1	0	—
3	1	1	Lowest Power Consumption

# C8051F310/1/2/3/4/5/6/7

**Table 7.1. Comparator Electrical Characteristics**

$V_{DD} = 3.0\text{ V}$ ,  $-40$  to  $+85\text{ }^{\circ}\text{C}$  unless otherwise noted.

All specifications apply to both Comparator0 and Comparator1 unless otherwise noted.

Parameter	Conditions	Min	Typ	Max	Units
Response Time: Mode 0, $V_{cm}^1 = 1.5\text{ V}$	$CP0+ - CP0- = 100\text{ mV}$	—	100	—	ns
	$CP0+ - CP0- = -100\text{ mV}$	—	250	—	ns
Response Time: Mode 1, $V_{cm}^1 = 1.5\text{ V}$	$CP0+ - CP0- = 100\text{ mV}$	—	175	—	ns
	$CP0+ - CP0- = -100\text{ mV}$	—	500	—	ns
Response Time: Mode 2, $V_{cm}^1 = 1.5\text{ V}$	$CP0+ - CP0- = 100\text{ mV}$	—	320	—	ns
	$CP0+ - CP0- = -100\text{ mV}$	—	1100	—	ns
Response Time: Mode 3, $V_{cm}^1 = 1.5\text{ V}$	$CP0+ - CP0- = 100\text{ mV}$	—	1050	—	ns
	$CP0+ - CP0- = -100\text{ mV}$	—	5200	—	ns
Common-Mode Rejection Ratio		—	1.5	4	mV/V
Positive Hysteresis 1	$CP0HYP1-0 = 00$	—	0	1	mV
Positive Hysteresis 2	$CP0HYP1-0 = 01$	2	5	7	mV
Positive Hysteresis 3	$CP0HYP1-0 = 10$	5	10	13	mV
Positive Hysteresis 4	$CP0HYP1-0 = 11$	12	20	25	mV
Negative Hysteresis 1	$CP0HYN1-0 = 00$		0	1	mV
Negative Hysteresis 2	$CP0HYN1-0 = 01$	2	5	7	mV
Negative Hysteresis 3	$CP0HYN1-0 = 10$	5	10	13	mV
Negative Hysteresis 4	$CP0HYN1-0 = 11$	12	20	25	mV
Inverting or Non-Inverting Input Voltage Range		-0.25	—	$V_{DD} + 0.25$	V
Input Capacitance		—	7	—	pF
Input Bias Current		—	1	—	nA
Input Offset Voltage		-5	—	+5	mV
<b>Power Supply</b>					
Power Supply Rejection <sup>2</sup>		—	0.1	1	mV/V
Power-up Time		—	10	—	$\mu\text{s}$
Supply Current at DC	Mode 0	—	7.6	20	$\mu\text{A}$
	Mode 1	—	3.2	10	$\mu\text{A}$
	Mode 2	—	1.3	5	$\mu\text{A}$
	Mode 3	—	0.4	2.5	$\mu\text{A}$
<b>Notes:</b>					
1. $V_{cm}$ is the common-mode voltage on $CP0+$ and $CP0-$ .					
2. Guaranteed by design and/or characterization.					

## 8. CIP-51 Microcontroller

The MCU system controller core is the CIP-51 microcontroller. The CIP-51 is fully compatible with the MCS-51™ instruction set; standard 803x/805x assemblers and compilers can be used to develop software. The MCU family has a superset of all the peripherals included with a standard 8051. Included are four 16-bit counter/timers (see description in [Section 17](#)), an enhanced full-duplex UART (see description in [Section 15](#)), an Enhanced SPI (see description in [Section 16](#)), 256 bytes of internal RAM, 128 byte Special Function Register (SFR) address space ([Section 8.2.6](#)), and 29 Port I/O (see description in [Section 13](#)). The CIP-51 also includes on-chip debug hardware (see description in [Section 20](#)), and interfaces directly with the analog and digital subsystems providing a complete data acquisition or control-system solution in a single integrated circuit.

The CIP-51 Microcontroller core implements the standard 8051 organization and peripherals as well as additional custom peripherals and functions to extend its capability (see Figure 8.1 for a block diagram). The CIP-51 includes the following features:

- Fully Compatible with MCS-51 Instruction Set
- 25 MIPS Peak Throughput with 25 MHz Clock
- 0 to 25 MHz Clock Frequency
- 256 Bytes of Internal RAM
- 29 Port I/O
- Extended Interrupt Handler
- Reset Input
- Power Management Modes
- On-chip Debug Logic
- Program and Data Memory Security

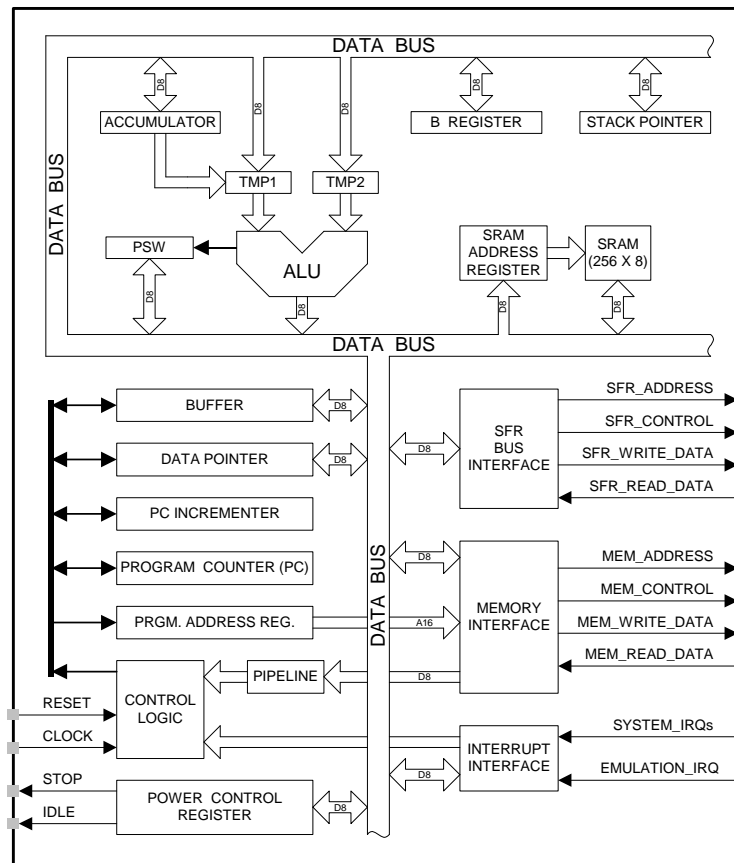


Figure 8.1. CIP-51 Block Diagram

# C8051F310/1/2/3/4/5/6/7

## Performance

The CIP-51 employs a pipelined architecture that greatly increases its instruction throughput over the standard 8051 architecture. In a standard 8051, all instructions except for MUL and DIV take 12 or 24 system clock cycles to execute, and usually have a maximum system clock of 12 MHz. By contrast, the CIP-51 core executes 70% of its instructions in one or two system clock cycles, with no instructions taking more than eight system clock cycles.

With the CIP-51's maximum system clock at 25 MHz, it has a peak throughput of 25 MIPS. The CIP-51 has a total of 109 instructions. The table below shows the total number of instructions that require each execution time.

Clocks to Execute	1	2	2/3	3	3/4	4	4/5	5	8
Number of Instructions	26	50	5	14	7	3	1	2	1

## Programming and Debugging Support

In-system programming of the Flash program memory and communication with on-chip debug support logic is accomplished via the Silicon Labs 2-Wire Development Interface (C2). The re-programmable Flash can also be read and changed a single byte at a time by the application software using the MOVC and MOVX instructions. This feature allows program memory to be used for non-volatile data storage as well as updating program code under software control.

The on-chip debug support logic facilitates full speed in-circuit debugging, allowing the setting of hardware breakpoints, starting, stopping and single stepping through program execution (including interrupt service routines), examination of the program's call stack, and reading/writing the contents of registers and memory. This method of on-chip debugging is completely non-intrusive, requiring no RAM, Stack, timers, or other on-chip resources. C2 details can be found in [Section "20. C2 Interface" on page 223](#).

The CIP-51 is supported by development tools from Silicon Labs and third party vendors. Silicon Labs provides an integrated development environment (IDE) including an editor, evaluation compiler, assembler, debugger and programmer. The IDE's debugger and programmer interface to the CIP-51 via the C2 interface to provide fast and efficient in-system device programming and debugging. Third party macro assemblers and C compilers are also available.

## 8.1. Instruction Set

The instruction set of the CIP-51 System Controller is fully compatible with the standard MCS-51™ instruction set. Standard 8051 development tools can be used to develop software for the CIP-51. All CIP-51 instructions are the binary and functional equivalent of their MCS-51™ counterparts, including opcodes, addressing modes and effect on PSW flags. However, instruction timing is different than that of the standard 8051.

### 8.1.1. Instruction and CPU Timing

In many 8051 implementations, a distinction is made between machine cycles and clock cycles, with machine cycles varying from 2 to 12 clock cycles in length. However, the CIP-51 implementation is based solely on clock cycle timing. All instruction timings are specified in terms of clock cycles.

Due to the pipelined architecture of the CIP-51, most instructions execute in the same number of clock cycles as there are program bytes in the instruction. Conditional branch instructions take one less clock cycle to complete when the branch is not taken as opposed to when the branch is taken. Table 8.1 is the



CIP-51 Instruction Set Summary, which includes the mnemonic, number of bytes, and number of clock cycles for each instruction.

## 8.1.2. MOVX Instruction and Program Memory

The MOVX instruction is typically used to access external data memory (Note: the C8051F31x does not support external data or program memory). In the CIP-51, the MOVX write instruction is used to access external RAM and the on-chip program memory space implemented as re-programmable Flash memory. The Flash access feature provides a mechanism for the CIP-51 to update program code and use the program memory space for non-volatile data storage. Refer to [Section “10. Flash Memory” on page 111](#) for further details.

**Table 8.1. CIP-51 Instruction Set Summary**

Mnemonic	Description	Bytes	Clock Cycles
<b>Arithmetic Operations</b>			
ADD A, Rn	Add register to A	1	1
ADD A, direct	Add direct byte to A	2	2
ADD A, @Ri	Add indirect RAM to A	1	2
ADD A, #data	Add immediate to A	2	2
ADDC A, Rn	Add register to A with carry	1	1
ADDC A, direct	Add direct byte to A with carry	2	2
ADDC A, @Ri	Add indirect RAM to A with carry	1	2
ADDC A, #data	Add immediate to A with carry	2	2
SUBB A, Rn	Subtract register from A with borrow	1	1
SUBB A, direct	Subtract direct byte from A with borrow	2	2
SUBB A, @Ri	Subtract indirect RAM from A with borrow	1	2
SUBB A, #data	Subtract immediate from A with borrow	2	2
INC A	Increment A	1	1
INC Rn	Increment register	1	1
INC direct	Increment direct byte	2	2
INC @Ri	Increment indirect RAM	1	2
DEC A	Decrement A	1	1
DEC Rn	Decrement register	1	1
DEC direct	Decrement direct byte	2	2
DEC @Ri	Decrement indirect RAM	1	2
INC DPTR	Increment Data Pointer	1	1
MUL AB	Multiply A and B	1	4
DIV AB	Divide A by B	1	8
DA A	Decimal adjust A	1	1
<b>Logical Operations</b>			
ANL A, Rn	AND Register to A	1	1
ANL A, direct	AND direct byte to A	2	2
ANL A, @Ri	AND indirect RAM to A	1	2
ANL A, #data	AND immediate to A	2	2
ANL direct, A	AND A to direct byte	2	2
ANL direct, #data	AND immediate to direct byte	3	3
ORL A, Rn	OR Register to A	1	1

# C8051F310/1/2/3/4/5/6/7

**Table 8.1. CIP-51 Instruction Set Summary (Continued)**

Mnemonic	Description	Bytes	Clock Cycles
ORL A, direct	OR direct byte to A	2	2
ORL A, @Ri	OR indirect RAM to A	1	2
ORL A, #data	OR immediate to A	2	2
ORL direct, A	OR A to direct byte	2	2
ORL direct, #data	OR immediate to direct byte	3	3
XRL A, Rn	Exclusive-OR Register to A	1	1
XRL A, direct	Exclusive-OR direct byte to A	2	2
XRL A, @Ri	Exclusive-OR indirect RAM to A	1	2
XRL A, #data	Exclusive-OR immediate to A	2	2
XRL direct, A	Exclusive-OR A to direct byte	2	2
XRL direct, #data	Exclusive-OR immediate to direct byte	3	3
CLR A	Clear A	1	1
CPL A	Complement A	1	1
RL A	Rotate A left	1	1
RLC A	Rotate A left through Carry	1	1
RR A	Rotate A right	1	1
RRC A	Rotate A right through Carry	1	1
SWAP A	Swap nibbles of A	1	1
<b>Data Transfer</b>			
MOV A, Rn	Move Register to A	1	1
MOV A, direct	Move direct byte to A	2	2
MOV A, @Ri	Move indirect RAM to A	1	2
MOV A, #data	Move immediate to A	2	2
MOV Rn, A	Move A to Register	1	1
MOV Rn, direct	Move direct byte to Register	2	2
MOV Rn, #data	Move immediate to Register	2	2
MOV direct, A	Move A to direct byte	2	2
MOV direct, Rn	Move Register to direct byte	2	2
MOV direct, direct	Move direct byte to direct byte	3	3
MOV direct, @Ri	Move indirect RAM to direct byte	2	2
MOV direct, #data	Move immediate to direct byte	3	3
MOV @Ri, A	Move A to indirect RAM	1	2
MOV @Ri, direct	Move direct byte to indirect RAM	2	2
MOV @Ri, #data	Move immediate to indirect RAM	2	2
MOV DPTR, #data16	Load DPTR with 16-bit constant	3	3
MOVC A, @A+DPTR	Move code byte relative DPTR to A	1	3
MOVC A, @A+PC	Move code byte relative PC to A	1	3
MOVX A, @Ri	Move external data (8-bit address) to A	1	3
MOVX @Ri, A	Move A to external data (8-bit address)	1	3
MOVX A, @DPTR	Move external data (16-bit address) to A	1	3
MOVX @DPTR, A	Move A to external data (16-bit address)	1	3
PUSH direct	Push direct byte onto stack	2	2
POP direct	Pop direct byte from stack	2	2
XCH A, Rn	Exchange Register with A	1	1
XCH A, direct	Exchange direct byte with A	2	2

**Table 8.1. CIP-51 Instruction Set Summary (Continued)**

<b>Mnemonic</b>	<b>Description</b>	<b>Bytes</b>	<b>Clock Cycles</b>
XCH A, @Ri	Exchange indirect RAM with A	1	2
XCHD A, @Ri	Exchange low nibble of indirect RAM with A	1	2
<b>Boolean Manipulation</b>			
CLR C	Clear Carry	1	1
CLR bit	Clear direct bit	2	2
SETB C	Set Carry	1	1
SETB bit	Set direct bit	2	2
CPL C	Complement Carry	1	1
CPL bit	Complement direct bit	2	2
ANL C, bit	AND direct bit to Carry	2	2
ANL C, /bit	AND complement of direct bit to Carry	2	2
ORL C, bit	OR direct bit to carry	2	2
ORL C, /bit	OR complement of direct bit to Carry	2	2
MOV C, bit	Move direct bit to Carry	2	2
MOV bit, C	Move Carry to direct bit	2	2
JC rel	Jump if Carry is set	2	2/3
JNC rel	Jump if Carry is not set	2	2/3
JB bit, rel	Jump if direct bit is set	3	3/4
JNB bit, rel	Jump if direct bit is not set	3	3/4
JBC bit, rel	Jump if direct bit is set and clear bit	3	3/4
<b>Program Branching</b>			
ACALL addr11	Absolute subroutine call	2	3
LCALL addr16	Long subroutine call	3	4
RET	Return from subroutine	1	5
RETI	Return from interrupt	1	5
AJMP addr11	Absolute jump	2	3
LJMP addr16	Long jump	3	4
SJMP rel	Short jump (relative address)	2	3
JMP @A+DPTR	Jump indirect relative to DPTR	1	3
JZ rel	Jump if A equals zero	2	2/3
JNZ rel	Jump if A does not equal zero	2	2/3
CJNE A, direct, rel	Compare direct byte to A and jump if not equal	3	3/4
CJNE A, #data, rel	Compare immediate to A and jump if not equal	3	3/4
CJNE Rn, #data, rel	Compare immediate to Register and jump if not equal	3	3/4
CJNE @Ri, #data, rel	Compare immediate to indirect and jump if not equal	3	4/5
DJNZ Rn, rel	Decrement Register and jump if not zero	2	2/3
DJNZ direct, rel	Decrement direct byte and jump if not zero	3	3/4
NOP	No operation	1	1

# C8051F310/1/2/3/4/5/6/7

## Notes on Registers, Operands and Addressing Modes:

**Rn** - Register R0–R7 of the currently selected register bank.

**@Ri** - Data RAM location addressed indirectly through R0 or R1.

**rel** - 8-bit, signed (two's complement) offset relative to the first byte of the following instruction. Used by SJMP and all conditional jumps.

**direct** - 8-bit internal data location's address. This could be a direct-access Data RAM location (0x00–0x7F) or an SFR (0x80–0xFF).

**#data** - 8-bit constant

**#data16** - 16-bit constant

**bit** - Direct-accessed bit in Data RAM or SFR

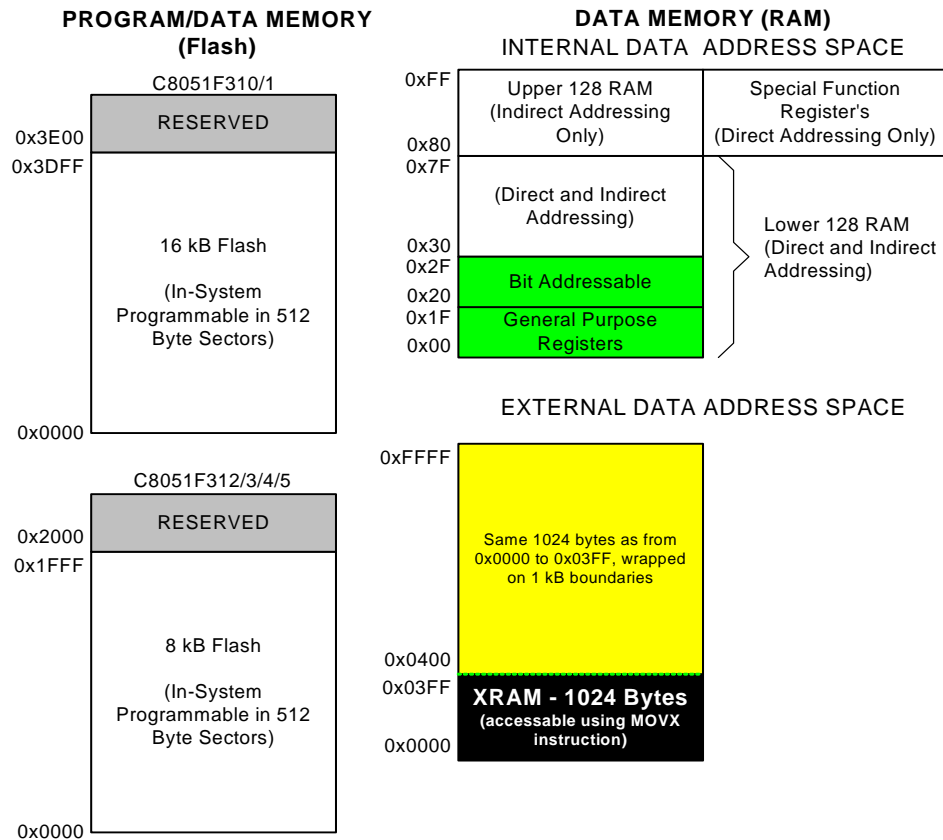
**addr11** - 11-bit destination address used by ACALL and AJMP. The destination must be within the same 2 kB page of program memory as the first byte of the following instruction.

**addr16** - 16-bit destination address used by LCALL and LJMP. The destination may be anywhere within the 8 kB program memory space.

There is one unused opcode (0xA5) that performs the same function as NOP.  
All mnemonics copyrighted © Intel Corporation 1980.

## 8.2. Memory Organization

The memory organization of the CIP-51 System Controller is similar to that of a standard 8051. There are two separate memory spaces: program memory and data memory. Program and data memory share the same address space but are accessed via different instruction types. The CIP-51 memory organization is shown in Figure 8.2.



**Figure 8.2. Memory Map**

### 8.2.1. Program Memory

The CIP-51 core has a 64k-byte program memory space. The C8051F310/1 and C8051F312/3/4/5 implement 16k and 8 kB, respectively, of this program memory space as in-system, re-programmable Flash memory, organized in a contiguous block from addresses 0x0000 to 0x3FFF or 0x0000 to 0x1FFF. Addresses above 0x3E00 are reserved on the 16 kB devices.

Program memory is normally assumed to be read-only. However, the CIP-51 can write to program memory by setting the Program Store Write Enable bit (PSCTL.0) and using the MOVX instruction. This feature provides a mechanism for the CIP-51 to update program code and use the program memory space for non-volatile data storage. Refer to [Section “10. Flash Memory” on page 111](#) for further details.

# C8051F310/1/2/3/4/5/6/7

---

## 8.2.2. Data Memory

The CIP-51 includes 256 bytes of internal RAM mapped into the data memory space from 0x00 through 0xFF. The lower 128 bytes of data memory are used for general purpose registers and scratch pad memory. Either direct or indirect addressing may be used to access the lower 128 bytes of data memory. Locations 0x00 through 0x1F are addressable as four banks of general purpose registers, each bank consisting of eight byte-wide registers. The next 16 bytes, locations 0x20 through 0x2F, may either be addressed as bytes or as 128 bit locations accessible with the direct addressing mode.

The upper 128 bytes of data memory are accessible only by indirect addressing. This region occupies the same address space as the Special Function Registers (SFR) but is physically separate from the SFR space. The addressing mode used by an instruction when accessing locations above 0x7F determines whether the CPU accesses the upper 128 bytes of data memory space or the SFRs. Instructions that use direct addressing will access the SFR space. Instructions using indirect addressing above 0x7F access the upper 128 bytes of data memory. Figure 8.2 illustrates the data memory organization of the CIP-51.

## 8.2.3. General Purpose Registers

The lower 32 bytes of data memory, locations 0x00 through 0x1F, may be addressed as four banks of general-purpose registers. Each bank consists of eight byte-wide registers designated R0 through R7. Only one of these banks may be enabled at a time. Two bits in the program status word, RS0 (PSW.3) and RS1 (PSW.4), select the active register bank (see description of the PSW in SFR Definition 8.4). This allows fast context switching when entering subroutines and interrupt service routines. Indirect addressing modes use registers R0 and R1 as index registers.

## 8.2.4. Bit Addressable Locations

In addition to direct access to data memory organized as bytes, the sixteen data memory locations at 0x20 through 0x2F are also accessible as 128 individually addressable bits. Each bit has a bit address from 0x00 to 0x7F. Bit 0 of the byte at 0x20 has bit address 0x00 while bit7 of the byte at 0x20 has bit address 0x07. Bit 7 of the byte at 0x2F has bit address 0x7F. A bit access is distinguished from a full byte access by the type of instruction used (bit source or destination operands as opposed to a byte source or destination).

The MCS-51™ assembly language allows an alternate notation for bit addressing of the form XX.B where XX is the byte address and B is the bit position within the byte. For example, the instruction:

```
MOV    C, 22.3h
```

moves the Boolean value at 0x13 (bit 3 of the byte at location 0x22) into the Carry flag.

## 8.2.5. Stack

A programmer's stack can be located anywhere in the 256-byte data memory. The stack area is designated using the Stack Pointer (SP, 0x81) SFR. The SP will point to the last location used. The next value pushed on the stack is placed at SP+1 and then SP is incremented. A reset initializes the stack pointer to location 0x07. Therefore, the first value pushed on the stack is placed at location 0x08, which is also the first register (R0) of register bank 1. Thus, if more than one register bank is to be used, the SP should be initialized to a location in the data memory not being used for data storage. The stack depth can extend up to 256 bytes.

## 8.2.6. Special Function Registers

The direct-access data memory locations from 0x80 to 0xFF constitute the special function registers (SFRs). The SFRs provide control and data exchange with the CIP-51's resources and peripherals. The CIP-51 duplicates the SFRs found in a typical 8051 implementation as well as implementing additional SFRs used to configure and access the sub-systems unique to the MCU. This allows the addition of new functionality while retaining compatibility with the MCS-51™ instruction set. Table 8.2 lists the SFRs implemented in the CIP-51 System Controller.

The SFR registers are accessed anytime the direct addressing mode is used to access memory locations from 0x80 to 0xFF. SFRs with addresses ending in 0x0 or 0x8 (e.g. P0, TCON, SCON0, IE, etc.) are bit-addressable as well as byte-addressable. All other SFRs are byte-addressable only. Unoccupied addresses in the SFR space are reserved for future use. Accessing these areas will have an indeterminate effect and should be avoided. Refer to the corresponding pages of the datasheet, as indicated in Table 8.3, for a detailed description of each register.

**Table 8.2. Special Function Register (SFR) Memory Map**

F8	SPI0CN	PCA0L	PCA0H	PCA0CPL0	PCA0CPH0	PCA0CPL4	PCA0CPH4	VDM0CN
F0	B	P0MDIN	P1MDIN	P2MDIN	P3MDIN		EIP1	
E8	ADC0CN	PCA0CPL1	PCA0CPH1	PCA0CPL2	PCA0CPH2	PCA0CPL3	PCA0CPH3	RSTSRC
E0	ACC	XBR0	XBR1		IT01CF		EIE1	
D8	PCA0CN	PCA0MD	PCA0CPM0	PCA0CPM1	PCA0CPM2	PCA0CPM3	PCA0CPM4	
D0	PSW	REF0CN			P0SKIP	P1SKIP	P2SKIP	
C8	TMR2CN		TMR2RLL	TMR2RLH	TMR2L	TMR2H		
C0	SMB0CN	SMB0CF	SMB0DAT	ADC0GTL	ADC0GTH	ADC0LTL	ADC0LTH	
B8	IP		AMX0N	AMX0P	ADC0CF	ADC0L	ADC0H	
B0	P3	OSCXCN	OSCICN	OSCICL			FLSCL	FLKEY
A8	IE	CLKSEL	EMI0CN					
A0	P2	SPI0CFG	SPI0CKR	SPI0DAT	P0MDOUT	P1MDOUT	P2MDOUT	P3MDOUT
98	SCON0	SBUF0	CPT1CN	CPT0CN	CPT1MD	CPT0MD	CPT1MX	CPT0MX
90	P1	TMR3CN	TMR3RLL	TMR3RLH	TMR3L	TMR3H		
88	TCON	TMOD	TL0	TL1	TH0	TH1	CKCON	PSCTL
80	P0	SP	DPL	DPH				PCON
	0(8)	1(9)	2(A)	3(B)	4(C)	5(D)	6(E)	7(F)
	(bit addressable)							

# C8051F310/1/2/3/4/5/6/7

**Table 8.3. Special Function Registers**

Register	Address	Description	Page
SFRs are listed in alphabetical order. All undefined SFR locations are reserved			
<b>ACC</b>	0xE0	Accumulator	92
<b>ADC0CF</b>	0xBC	ADC0 Configuration	59
<b>ADC0CN</b>	0xE8	ADC0 Control	60
<b>ADC0GTH</b>	0xC4	ADC0 Greater-Than Compare High	61
<b>ADC0GTL</b>	0xC3	ADC0 Greater-Than Compare Low	61
<b>ADC0H</b>	0xBE	ADC0 High	59
<b>ADC0L</b>	0xBD	ADC0 Low	59
<b>ADC0LTH</b>	0xC6	ADC0 Less-Than Compare Word High	62
<b>ADC0LTL</b>	0xC5	ADC0 Less-Than Compare Word Low	62
<b>AMX0N</b>	0xBA	AMUX0 Negative Channel Select	58
<b>AMX0P</b>	0xBB	AMUX0 Positive Channel Select	57
<b>B</b>	0xF0	B Register	93
<b>CKCON</b>	0x8E	Clock Control	193
<b>CLKSEL</b>	0xA9	Clock Select	123
<b>CPT0CN</b>	0x9B	Comparator0 Control	72
<b>CPT0MD</b>	0x9D	Comparator0 Mode Selection	74
<b>CPT0MX</b>	0x9F	Comparator0 MUX Selection	73
<b>CPT1CN</b>	0x9A	Comparator1 Control	75
<b>CPT1MD</b>	0x9C	Comparator1 Mode Selection	77
<b>CPT1MX</b>	0x9E	Comparator1 MUX Selection	76
<b>DPH</b>	0x83	Data Pointer High	91
<b>DPL</b>	0x82	Data Pointer Low	90
<b>EIE1</b>	0xE6	Extended Interrupt Enable 1	99
<b>EIP1</b>	0xF6	Extended Interrupt Priority 1	100
<b>EMIOCN</b>	0xAA	External Memory Interface Control	119
<b>FLKEY</b>	0xB7	Flash Lock and Key	117
<b>FLSCL</b>	0xB6	Flash Scale	117
<b>IE</b>	0xA8	Interrupt Enable	97
<b>IP</b>	0xB8	Interrupt Priority	98
<b>IT01CF</b>	0xE4	INT0/INT1 Configuration	101
<b>OSCICL</b>	0xB3	Internal Oscillator Calibration	122
<b>OSCICN</b>	0xB2	Internal Oscillator Control	122
<b>OSXCXCN</b>	0xB1	External Oscillator Control	125
<b>P0</b>	0x80	Port 0 Latch	136
<b>P0MDIN</b>	0xF1	Port 0 Input Mode Configuration	136
<b>P0MDOUT</b>	0xA4	Port 0 Output Mode Configuration	137
<b>P0SKIP</b>	0xD4	Port 0 Skip	137
<b>P1</b>	0x90	Port 1 Latch	138
<b>P1MDIN</b>	0xF2	Port 1 Input Mode Configuration	138
<b>P1MDOUT</b>	0xA5	Port 1 Output Mode Configuration	139
<b>P1SKIP</b>	0xD5	Port 1 Skip	139
<b>P2</b>	0xA0	Port 2 Latch	140
<b>P2MDIN</b>	0xF3	Port 2 Input Mode Configuration	140
<b>P2MDOUT</b>	0xA6	Port 2 Output Mode Configuration	141



**Table 8.3. Special Function Registers (Continued)**

Register	Address	Description	Page
P2SKIP	0xD6	Port 2 Skip	141
P3	0xB0	Port 3 Latch	142
P3MDIN	0xF4	Port 3 Input Mode Configuration	142
P3MDOUT	0xA7	Port 3 Output Mode Configuration	143
PCA0CN	0xD8	PCA Control	215
PCA0CPH0	0xFC	PCA Capture 0 High	219
PCA0CPH1	0xEA	PCA Capture 1 High	219
PCA0CPH2	0xEC	PCA Capture 2 High	219
PCA0CPH3	0xEE	PCA Capture 3High	219
PCA0CPH4	0xFE	PCA Capture 4 High	219
PCA0CPL0	0xFB	PCA Capture 0 Low	218
PCA0CPL1	0xE9	PCA Capture 1 Low	218
PCA0CPL2	0xEB	PCA Capture 2 Low	218
PCA0CPL3	0xED	PCA Capture 3Low	218
PCA0CPL4	0xFD	PCA Capture 4 Low	218
PCA0CPM0	0xDA	PCA Module 0 Mode	217
PCA0CPM1	0xDB	PCA Module 1 Mode	217
PCA0CPM2	0xDC	PCA Module 2 Mode	217
PCA0CPM3	0xDD	PCA Module 3 Mode	217
PCA0CPM4	0xDE	PCA Module 4 Mode	217
PCA0H	0xFA	PCA Counter High	218
PCA0L	0xF9	PCA Counter Low	218
PCA0MD	0xD9	PCA Mode	216
PCON	0x87	Power Control	103
PSCTL	0x8F	Program Store R/W Control	116
PSW	0xD0	Program Status Word	92
REF0CN	0xD1	Voltage Reference Control	68
RSTSRC	0xEF	Reset Source Configuration/Status	109
SBUF0	0x99	UART0 Data Buffer	169
SCON0	0x98	UART0 Control	168
SMB0CF	0xC1	SMBus Configuration	152
SMB0CN	0xC0	SMBus Control	154
SMB0DAT	0xC2	SMBus Data	156
SP	0x81	Stack Pointer	91
SPI0CFG	0xA1	SPI Configuration	180
SPI0CKR	0xA2	SPI Clock Rate Control	182
SPI0CN	0xF8	SPI Control	181
SPI0DAT	0xA3	SPI Data	182
TCON	0x88	Timer/Counter Control	191
TH0	0x8C	Timer/Counter 0 High	194
TH1	0x8D	Timer/Counter 1 High	194
TL0	0x8A	Timer/Counter 0 Low	194
TL1	0x8B	Timer/Counter 1 Low	194
TMOD	0x89	Timer/Counter Mode	192
TMR2CN	0xC8	Timer/Counter 2 Control	197
TMR2H	0xCD	Timer/Counter 2 High	198

# C8051F310/1/2/3/4/5/6/7

**Table 8.3. Special Function Registers (Continued)**

Register	Address	Description	Page
<b>TMR2L</b>	0xCC	Timer/Counter 2 Low	198
<b>TMR2RLH</b>	0xCB	Timer/Counter 2 Reload High	198
<b>TMR2RLL</b>	0xCA	Timer/Counter 2 Reload Low	198
<b>TMR3CN</b>	0x91	Timer/Counter 3Control	201
<b>TMR3H</b>	0x95	Timer/Counter 3 High	202
<b>TMR3L</b>	0x94	Timer/Counter 3Low	202
<b>TMR3RLH</b>	0x93	Timer/Counter 3 Reload High	202
<b>TMR3RLL</b>	0x92	Timer/Counter 3 Reload Low	202
<b>VDM0CN</b>	0xFF	V <sub>DD</sub> Monitor Control	107
<b>XBR1</b>	0xE2	Port I/O Crossbar Control 1	135
<b>XBR0</b>	0xE1	Port I/O Crossbar Control 0	134
0x84-0x86, 0x96-0x97, 0xAB-0xAF, 0xB4, 0xB9, 0xBF, 0xC7, 0xC9, 0xCE, 0xCF, 0xD2, 0xD3, 0xD7, 0xDF, 0xE3, 0xE5, 0xF5		Reserved	

## 8.2.7. Register Descriptions

Following are descriptions of SFRs related to the operation of the CIP-51 System Controller. Reserved bits should not be set to logic 1. Future product versions may use these bits to implement new features in which case the reset value of the bit will be logic 0, selecting the feature's default state. Detailed descriptions of the remaining SFRs are included in the sections of the data sheet associated with their corresponding system function.

### SFR Definition 8.1. DPL: Data Pointer Low Byte

R/W	R/W	R/W	R/W	R/W	R/W	R/W	R/W	Reset Value
								00000000
Bit7	Bit6	Bit5	Bit4	Bit3	Bit2	Bit1	Bit0	SFR Address: 0x82
<p>Bits7–0: DPL: Data Pointer Low. The DPL register is the low byte of the 16-bit DPTR. DPTR is used to access indirectly addressed Flash memory.</p>								

## SFR Definition 8.2. DPH: Data Pointer High Byte

R/W	R/W	R/W	R/W	R/W	R/W	R/W	R/W	Reset Value
								00000000
Bit7	Bit6	Bit5	Bit4	Bit3	Bit2	Bit1	Bit0	SFR Address: 0x83

Bits7–0: DPH: Data Pointer High.  
The DPH register is the high byte of the 16-bit DPTR. DPTR is used to access indirectly addressed Flash memory.

## SFR Definition 8.3. SP: Stack Pointer

R/W	R/W	R/W	R/W	R/W	R/W	R/W	R/W	Reset Value
								00000111
Bit7	Bit6	Bit5	Bit4	Bit3	Bit2	Bit1	Bit0	SFR Address: 0x81

Bits7–0: SP: Stack Pointer.  
The Stack Pointer holds the location of the top of the stack. The stack pointer is incremented before every PUSH operation. The SP register defaults to 0x07 after reset.

# C8051F310/1/2/3/4/5/6/7

## SFR Definition 8.4. PSW: Program Status Word

R/W	R/W	R/W	R/W	R/W	R/W	R/W	R	Reset Value
CY	AC	F0	RS1	RS0	OV	F1	PARITY	00000000
Bit7	Bit6	Bit5	Bit4	Bit3	Bit2	Bit1	Bit0	SFR Address: (bit addressable) 0xD0

Bit7: CY: Carry Flag.  
This bit is set when the last arithmetic operation resulted in a carry (addition) or a borrow (subtraction). It is cleared to logic 0 by all other arithmetic operations.

Bit6: AC: Auxiliary Carry Flag  
This bit is set when the last arithmetic operation resulted in a carry into (addition) or a borrow from (subtraction) the high order nibble. It is cleared to logic 0 by all other arithmetic operations.

Bit5: F0: User Flag 0.  
This is a bit-addressable, general purpose flag for use under software control.

Bits4–3: RS1–RS0: Register Bank Select.  
These bits select which register bank is used during register accesses.

RS1	RS0	Register Bank	Address
0	0	0	0x00–0x07
0	1	1	0x08–0x0F
1	0	2	0x10–0x17
1	1	3	0x18–0x1F

Bit2: OV: Overflow Flag.  
This bit is set to 1 under the following circumstances: an ADD, ADDC, or SUBB instruction causes a sign-change overflow, a MUL instruction results in an overflow (result is greater than 255), or a DIV instruction causes a divide-by-zero condition. The OV bit is cleared to 0 by the ADD, ADDC, SUBB, MUL, and DIV instructions in all other cases.

Bit1: F1: User Flag 1.  
This is a bit-addressable, general purpose flag for use under software control.

Bit0: PARITY: Parity Flag.  
This bit is set to logic 1 if the sum of the eight bits in the accumulator is odd and cleared if the sum is even.

## SFR Definition 8.5. ACC: Accumulator

R/W	R/W	R/W	R/W	R/W	R/W	R/W	R/W	Reset Value
ACC.7	ACC.6	ACC.5	ACC.4	ACC.3	ACC.2	ACC.1	ACC.0	00000000
Bit7	Bit6	Bit5	Bit4	Bit3	Bit2	Bit1	Bit0	SFR Address: (bit addressable) 0xE0

Bits7–0: ACC: Accumulator.  
This register is the accumulator for arithmetic operations.

## SFR Definition 8.6. B: B Register

R/W	R/W	R/W	R/W	R/W	R/W	R/W	R/W	Reset Value
B.7	B.6	B.5	B.4	B.3	B.2	B.1	B.0	00000000
Bit7	Bit6	Bit5	Bit4	Bit3	Bit2	Bit1	Bit0	SFR Address:
								(bit addressable) 0xF0

Bits7–0: B: B Register.  
This register serves as a second accumulator for certain arithmetic operations.

### 8.3. Interrupt Handler

The CIP-51 includes an extended interrupt system supporting a total of 14 interrupt sources with two priority levels. The allocation of interrupt sources between on-chip peripherals and external inputs pins varies according to the specific version of the device. Each interrupt source has one or more associated interrupt-pending flag(s) located in an SFR. When a peripheral or external source meets a valid interrupt condition, the associated interrupt-pending flag is set to logic 1.

If interrupts are enabled for the source, an interrupt request is generated when the interrupt-pending flag is set. As soon as execution of the current instruction is complete, the CPU generates an LCALL to a predetermined address to begin execution of an interrupt service routine (ISR). Each ISR must end with an RETI instruction, which returns program execution to the next instruction that would have been executed if the interrupt request had not occurred. If interrupts are not enabled, the interrupt-pending flag is ignored by the hardware and program execution continues as normal. (The interrupt-pending flag is set to logic 1 regardless of the interrupt's enable/disable state.)

Each interrupt source can be individually enabled or disabled through the use of an associated interrupt enable bit in an SFR (IE-EIE1). However, interrupts must first be globally enabled by setting the EA bit (IE.7) to logic 1 before the individual interrupt enables are recognized. Setting the EA bit to logic 0 disables all interrupt sources regardless of the individual interrupt-enable settings.

**Note: Any instruction that clears the EA bit should be immediately followed by an instruction that has two or more opcode bytes.** For example:

```
// in 'C':
EA = 0;    // clear EA bit
EA = 0;    // ... followed by another 2-byte opcode

; in assembly:
CLR EA    ; clear EA bit
CLR EA    ; ... followed by another 2-byte opcode
```

If an interrupt is posted during the execution phase of a "CLR EA" opcode (or any instruction which clears the EA bit), and the instruction is followed by a single-cycle instruction, the interrupt may be taken. However, a read of the EA bit will return a '0' inside the interrupt service routine. When the "CLR EA" opcode is followed by a multi-cycle instruction, the interrupt will not be taken.

Some interrupt-pending flags are automatically cleared by the hardware when the CPU vectors to the ISR. However, most are not cleared by the hardware and must be cleared by software before returning from the ISR. If an interrupt-pending flag remains set after the CPU completes the return-from-interrupt (RETI)

# C8051F310/1/2/3/4/5/6/7

---

instruction, a new interrupt request will be generated immediately and the CPU will re-enter the ISR after the completion of the next instruction.

## 8.3.1. MCU Interrupt Sources and Vectors

The MCUs support 14 interrupt sources. Software can simulate an interrupt by setting any interrupt-pending flag to logic 1. If interrupts are enabled for the flag, an interrupt request will be generated and the CPU will vector to the ISR address associated with the interrupt-pending flag. MCU interrupt sources, associated vector addresses, priority order and control bits are summarized in Table 8.4 on page 96. Refer to the datasheet section associated with a particular on-chip peripheral for information regarding valid interrupt conditions for the peripheral and the behavior of its interrupt-pending flag(s).

## 8.3.2. External Interrupts

The /INT0 and /INT1 external interrupt sources are configurable as active high or low, edge or level sensitive. The IN0PL (/INT0 Polarity) and IN1PL (/INT1 Polarity) bits in the IT01CF register select active high or active low; the IT0 and IT1 bits in TCON ([Section “17.1. Timer 0 and Timer 1” on page 187](#)) select level or edge sensitive. The table below lists the possible configurations.

IT0	IN0PL	/INT0 Interrupt
1	0	Active low, edge sensitive
1	1	Active high, edge sensitive
0	0	Active low, level sensitive
0	1	Active high, level sensitive

IT1	IN1PL	/INT1 Interrupt
1	0	Active low, edge sensitive
1	1	Active high, edge sensitive
0	0	Active low, level sensitive
0	1	Active high, level sensitive

/INT0 and /INT1 are assigned to Port pins as defined in the IT01CF register (see SFR Definition 8.11). Note that /INT0 and /INT1 Port pin assignments are independent of any Crossbar assignments. /INT0 and /INT1 will monitor their assigned Port pins without disturbing the peripheral that was assigned the Port pin via the Crossbar. To assign a Port pin only to /INT0 and/or /INT1, configure the Crossbar to skip the selected pin(s). This is accomplished by setting the associated bit in register XBR0 (see [Section “13.1. Priority Crossbar Decoder” on page 131](#) for complete details on configuring the Crossbar).

IE0 (TCON.1) and IE1 (TCON.3) serve as the interrupt-pending flags for the /INT0 and /INT1 external interrupts, respectively. If an /INT0 or /INT1 external interrupt is configured as edge-sensitive, the corresponding interrupt-pending flag is automatically cleared by the hardware when the CPU vectors to the ISR. When configured as level sensitive, the interrupt-pending flag remains logic 1 while the input is active as defined by the corresponding polarity bit (IN0PL or IN1PL); the flag remains logic 0 while the input is inactive. The external interrupt source must hold the input active until the interrupt request is recognized. It must then deactivate the interrupt request before execution of the ISR completes or another interrupt request will be generated.

## 8.3.3. Interrupt Priorities

Each interrupt source can be individually programmed to one of two priority levels: low or high. A low priority interrupt service routine can be preempted by a high priority interrupt. A high priority interrupt cannot be preempted. Each interrupt has an associated interrupt priority bit in an SFR (IP or EIP1) used to configure its priority level. Low priority is the default. If two interrupts are recognized simultaneously, the interrupt with the higher priority is serviced first. If both interrupts have the same priority level, a fixed priority order is used to arbitrate, given in Table 8.4.

## 8.3.4. Interrupt Latency

Interrupt response time depends on the state of the CPU when the interrupt occurs. Pending interrupts are sampled and priority decoded each system clock cycle. Therefore, the fastest possible response time is 5 system clock cycles: 1 clock cycle to detect the interrupt and 4 clock cycles to complete the LCALL to the ISR. If an interrupt is pending when a RETI is executed, a single instruction is executed before an LCALL is made to service the pending interrupt. Therefore, the maximum response time for an interrupt (when no other interrupt is currently being serviced or the new interrupt is of greater priority) occurs when the CPU is performing an RETI instruction followed by a DIV as the next instruction. In this case, the response time is 18 system clock cycles: 1 clock cycle to detect the interrupt, 5 clock cycles to execute the RETI, 8 clock cycles to complete the DIV instruction and 4 clock cycles to execute the LCALL to the ISR. If the CPU is executing an ISR for an interrupt with equal or higher priority, the new interrupt will not be serviced until the current ISR completes, including the RETI and following instruction.

# C8051F310/1/2/3/4/5/6/7

**Table 8.4. Interrupt Summary**

Interrupt Source	Interrupt Vector	Priority Order	Pending Flag	Bit addressable?	Cleared by HW?	Enable Flag	Priority Control
Reset	0x0000	Top	None	N/A	N/A	Always Enabled	Always Highest
External Interrupt 0 (/INT0)	0x0003	0	IE0 (TCON.1)	Y	Y	EX0 (IE.0)	PX0 (IP.0)
Timer 0 Overflow	0x000B	1	TF0 (TCON.5)	Y	Y	ET0 (IE.1)	PT0 (IP.1)
External Interrupt 1 (/INT1)	0x0013	2	IE1 (TCON.3)	Y	Y	EX1 (IE.2)	PX1 (IP.2)
Timer 1 Overflow	0x001B	3	TF1 (TCON.7)	Y	Y	ET1 (IE.3)	PT1 (IP.3)
UART0	0x0023	4	RI0 (SCON0.0) TI0 (SCON0.1)	Y	N	ES0 (IE.4)	PS0 (IP.4)
Timer 2 Overflow	0x002B	5	TF2H (TMR2CN.7) TF2L (TMR2CN.6)	Y	N	ET2 (IE.5)	PT2 (IP.5)
SPI0	0x0033	6	SPIF (SPI0CN.7) WCOL (SPI0CN.6) MODF (SPI0CN.5) RXOVRN (SPI0CN.4)	Y	N	ESPI0 (IE.6)	PSPi0 (IP.6)
SMB0	0x003B	7	SI (SMB0CN.0)	Y	N	ESMB0 (EIE1.0)	PSMB0 (EIP1.0)
<i>RESERVED</i>	<i>0x0043</i>	<i>8</i>	<i>N/A</i>	<i>N/A</i>	<i>N/A</i>	<i>N/A</i>	<i>N/A</i>
ADC0 Window Compare	0x004B	9	AD0WINT (ADC0CN.3)	Y	N	EWADC0 (EIE1.2)	PWADC0 (EIP1.2)
ADC0 Conversion Complete	0x0053	10	AD0INT (ADC0CN.5)	Y	N	EADC0 (EIE1.3)	PADC0 (EIP1.3)
Programmable Counter Array	0x005B	11	CF (PCA0CN.7) CCFn (PCA0CN.n)	Y	N	EPCA0 (EIE1.4)	PPCA0 (EIP1.4)
Comparator0	0x0063	12	CP0FIF (CPT0CN.4) CP0RIF (CPT0CN.5)	N	N	ECP0 (EIE1.5)	PCP0 (EIP1.5)
Comparator1	0x006B	13	CP1FIF (CPT1CN.4) CP1RIF (CPT1CN.5)	N	N	ECP1 (EIE1.6)	PCP1 (EIP1.6)
Timer 3 Overflow	0x0073	14	TF3H (TMR3CN.7) TF3L (TMR3CN.6)	N	N	ET3 (EIE1.7)	PT3 (EIP1.7)



## 8.3.5. Interrupt Register Descriptions

The SFRs used to enable the interrupt sources and set their priority level are described below. Refer to the data sheet section associated with a particular on-chip peripheral for information regarding valid interrupt conditions for the peripheral and the behavior of its interrupt-pending flag(s).

### SFR Definition 8.7. IE: Interrupt Enable

	R/W	R/W	R/W	R/W	R/W	R/W	R/W	Reset Value	
	EA	ESPI0	ET2	ES0	ET1	EX1	ET0	EX0	00000000
	Bit7	Bit6	Bit5	Bit4	Bit3	Bit2	Bit1	Bit0	SFR Address: (bit addressable) 0xA8
Bit7:	EA: Enable All Interrupts. This bit globally enables/disables all interrupts. It overrides the individual interrupt mask settings. 0: Disable all interrupt sources. 1: Enable each interrupt according to its individual mask setting.								
Bit6:	ESPI0: Enable Serial Peripheral Interface (SPI0) Interrupt. This bit sets the masking of the SPI0 interrupts. 0: Disable all SPI0 interrupts. 1: Enable interrupt requests generated by SPI0.								
Bit5:	ET2: Enable Timer 2 Interrupt. This bit sets the masking of the Timer 2 interrupt. 0: Disable Timer 2 interrupt. 1: Enable interrupt requests generated by the TF2L or TF2H flags.								
Bit4:	ES0: Enable UART0 Interrupt. This bit sets the masking of the UART0 interrupt. 0: Disable UART0 interrupt. 1: Enable UART0 interrupt.								
Bit3:	ET1: Enable Timer 1 Interrupt. This bit sets the masking of the Timer 1 interrupt. 0: Disable all Timer 1 interrupt. 1: Enable interrupt requests generated by the TF1 flag.								
Bit2:	EX1: Enable External Interrupt 1. This bit sets the masking of External Interrupt 1. 0: Disable external interrupt 1. 1: Enable interrupt requests generated by the /INT1 input.								
Bit1:	ET0: Enable Timer 0 Interrupt. This bit sets the masking of the Timer 0 interrupt. 0: Disable all Timer 0 interrupt. 1: Enable interrupt requests generated by the TF0 flag.								
Bit0:	EX0: Enable External Interrupt 0. This bit sets the masking of External Interrupt 0. 0: Disable external interrupt 0. 1: Enable interrupt requests generated by the /INT0 input.								

# C8051F310/1/2/3/4/5/6/7

## SFR Definition 8.8. IP: Interrupt Priority

R/W	R/W	R/W	R/W	R/W	R/W	R/W	R/W	Reset Value
-	PSPI0	PT2	PS0	PT1	PX1	PT0	PX0	10000000
Bit7	Bit6	Bit5	Bit4	Bit3	Bit2	Bit1	Bit0	SFR Address: (bit addressable) 0xB8

Bit7: UNUSED. Read = 1, Write = don't care.  
 Bit6: PSPI0: Serial Peripheral Interface (SPI0) Interrupt Priority Control.  
 This bit sets the priority of the SPI0 interrupt.  
 0: SPI0 interrupt set to low priority level.  
 1: SPI0 interrupt set to high priority level.  
 Bit5: PT2: Timer 2 Interrupt Priority Control.  
 This bit sets the priority of the Timer 2 interrupt.  
 0: Timer 2 interrupts set to low priority level.  
 1: Timer 2 interrupts set to high priority level.  
 Bit4: PS0: UART0 Interrupt Priority Control.  
 This bit sets the priority of the UART0 interrupt.  
 0: UART0 interrupts set to low priority level.  
 1: UART0 interrupts set to high priority level.  
 Bit3: PT1: Timer 1 Interrupt Priority Control.  
 This bit sets the priority of the Timer 1 interrupt.  
 0: Timer 1 interrupts set to low priority level.  
 1: Timer 1 interrupts set to high priority level.  
 Bit2: PX1: External Interrupt 1 Priority Control.  
 This bit sets the priority of the External Interrupt 1 interrupt.  
 0: External Interrupt 1 set to low priority level.  
 1: External Interrupt 1 set to high priority level.  
 Bit1: PT0: Timer 0 Interrupt Priority Control.  
 This bit sets the priority of the Timer 0 interrupt.  
 0: Timer 0 interrupt set to low priority level.  
 1: Timer 0 interrupt set to high priority level.  
 Bit0: PX0: External Interrupt 0 Priority Control.  
 This bit sets the priority of the External Interrupt 0 interrupt.  
 0: External Interrupt 0 set to low priority level.  
 1: External Interrupt 0 set to high priority level.

## SFR Definition 8.9. EIE1: Extended Interrupt Enable 1

	R/W	R/W	R/W	R/W	R/W	R/W	R/W	Reset Value	
	ET3	ECP1	ECP0	EPCA0	EADC0	EWADC0	Reserved	ESMB0	00000000
	Bit7	Bit6	Bit5	Bit4	Bit3	Bit2	Bit1	Bit0	SFR Address: 0xE6
Bit7:	<p>ET3: Enable Timer 3 Interrupt. This bit sets the masking of the Timer 3 interrupt. 0: Disable Timer 3 interrupts. 1: Enable interrupt requests generated by the TF3L or TF3H flags.</p>								
Bit6:	<p>ECP1: Enable Comparator1 (CP1) Interrupt. This bit sets the masking of the CP1 interrupt. 0: Disable CP1 interrupts. 1: Enable interrupt requests generated by the CP1RIF or CP1FIF flags.</p>								
Bit5:	<p>ECP0: Enable Comparator0 (CP0) Interrupt. This bit sets the masking of the CP0 interrupt. 0: Disable CP0 interrupts. 1: Enable interrupt requests generated by the CP0RIF or CP0FIF flags.</p>								
Bit4:	<p>EPCA0: Enable Programmable Counter Array (PCA0) Interrupt. This bit sets the masking of the PCA0 interrupts. 0: Disable all PCA0 interrupts. 1: Enable interrupt requests generated by PCA0.</p>								
Bit3:	<p>EADC0: Enable ADC0 Conversion Complete Interrupt. This bit sets the masking of the ADC0 Conversion Complete interrupt. 0: Disable ADC0 Conversion Complete interrupt. 1: Enable interrupt requests generated by the AD0INT flag.</p>								
Bit2:	<p>EWADC0: Enable Window Comparison ADC0 Interrupt. This bit sets the masking of ADC0 Window Comparison interrupt. 0: Disable ADC0 Window Comparison interrupt. 1: Enable interrupt requests generated by ADC0 Window Compare flag (ADOWINT).</p>								
Bit1:	RESERVED. Read = 0. Must Write 0.								
Bit0:	<p>ESMB0: Enable SMBus (SMB0) Interrupt. This bit sets the masking of the SMB0 interrupt. 0: Disable all SMB0 interrupts. 1: Enable interrupt requests generated by SMB0.</p>								

# C8051F310/1/2/3/4/5/6/7

## SFR Definition 8.10. EIP1: Extended Interrupt Priority 1

R/W	R/W	R/W	R/W	R/W	R/W	R/W	R/W	Reset Value
PT3	PCP1	PCP0	PCP0	PADC0	PWADC0	Reserved	PSMB0	00000000
Bit7	Bit6	Bit5	Bit4	Bit3	Bit2	Bit1	Bit0	SFR Address: 0xF6

Bit7: PT3: Timer 3 Interrupt Priority Control.  
This bit sets the priority of the Timer 3 interrupt.  
0: Timer 3 interrupts set to low priority level.  
1: Timer 3 interrupts set to high priority level.

Bit6: PCP1: Comparator1 (CP1) Interrupt Priority Control.  
This bit sets the priority of the CP1 interrupt.  
0: CP1 interrupt set to low priority level.  
1: CP1 interrupt set to high priority level.

Bit5: PCP0: Comparator0 (CP0) Interrupt Priority Control.  
This bit sets the priority of the CP0 interrupt.  
0: CP0 interrupt set to low priority level.  
1: CP0 interrupt set to high priority level.

Bit4: PPCA0: Programmable Counter Array (PCA0) Interrupt Priority Control.  
This bit sets the priority of the PCA0 interrupt.  
0: PCA0 interrupt set to low priority level.  
1: PCA0 interrupt set to high priority level.

Bit3: PADC0 ADC0 Conversion Complete Interrupt Priority Control.  
This bit sets the priority of the ADC0 Conversion Complete interrupt.  
0: ADC0 Conversion Complete interrupt set to low priority level.  
1: ADC0 Conversion Complete interrupt set to high priority level.

Bit2: PWADC0: ADC0 Window Comparator Interrupt Priority Control.  
This bit sets the priority of the ADC0 Window interrupt.  
0: ADC0 Window interrupt set to low priority level.  
1: ADC0 Window interrupt set to high priority level.

Bit1: RESERVED. Read = 0. Must Write 0.

Bit0: PSMB0: SMBus (SMB0) Interrupt Priority Control.  
This bit sets the priority of the SMB0 interrupt.  
0: SMB0 interrupt set to low priority level.  
1: SMB0 interrupt set to high priority level.

## SFR Definition 8.11. IT01CF: INT0/INT1 Configuration

R/W	R/W	R/W	R/W	R/W	R/W	R/W	R/W	Reset Value
IN1PL	IN1SL2	IN1SL1	IN1SL0	IN0PL	IN0SL2	IN0SL1	IN0SL0	00000001
Bit7	Bit6	Bit5	Bit4	Bit3	Bit2	Bit1	Bit0	SFR Address: 0xE4

**Note:** Refer to SFR Definition 17.1 for INT0/1 edge- or level-sensitive interrupt selection.

Bit7: IN1PL: /INT1 Polarity  
 0: /INT1 input is active low.  
 1: /INT1 input is active high.

Bits6–4: IN1SL2–0: /INT1 Port Pin Selection Bits  
 These bits select which Port pin is assigned to /INT1. Note that this pin assignment is independent of the Crossbar; /INT1 will monitor the assigned Port pin without disturbing the peripheral that has been assigned the Port pin via the Crossbar. The Crossbar will not assign the Port pin to a peripheral if it is configured to skip the selected pin (accomplished by setting to ‘1’ the corresponding bit in register P0SKIP).

IN1SL2–0	/INT1 Port Pin
000	P0.0
001	P0.1
010	P0.2
011	P0.3
100	P0.4
101	P0.5
110	P0.6
111	P0.7

Bit3: IN0PL: /INT0 Polarity  
 0: /INT0 interrupt is active low.  
 1: /INT0 interrupt is active high.

Bits2–0: IN0SL2–0: /INT0 Port Pin Selection Bits  
 These bits select which Port pin is assigned to /INT0. Note that this pin assignment is independent of the Crossbar. /INT0 will monitor the assigned Port pin without disturbing the peripheral that has been assigned the Port pin via the Crossbar. The Crossbar will not assign the Port pin to a peripheral if it is configured to skip the selected pin (accomplished by setting to ‘1’ the corresponding bit in register P0SKIP).

IN0SL2–0	/INT0 Port Pin
000	P0.0
001	P0.1
010	P0.2
011	P0.3
100	P0.4
101	P0.5
110	P0.6
111	P0.7

# C8051F310/1/2/3/4/5/6/7

## 8.4. Power Management Modes

The CIP-51 core has two software programmable power management modes: Idle and Stop. Idle mode halts the CPU while leaving the peripherals and clocks active. In Stop mode, the CPU is halted, all interrupts and timers (except the Missing Clock Detector) are inactive, and the internal oscillator is stopped (analog peripherals remain in their selected states; the external oscillator is not effected). Since clocks are running in Idle mode, power consumption is dependent upon the system clock frequency and the number of peripherals left in active mode before entering Idle. Stop mode consumes the least power. SFR Definition 8.12 describes the Power Control Register (PCON) used to control the CIP-51's power management modes.

Although the CIP-51 has Idle and Stop modes built in (as with any standard 8051 architecture), power management of the entire MCU is better accomplished by enabling/disabling individual peripherals as needed. Each analog peripheral can be disabled when not in use and placed in low power mode. Digital peripherals, such as timers or serial buses, draw little power when they are not in use. Turning off the oscillators lowers power consumption considerably; however, a reset is required to restart the MCU.

### 8.4.1. Idle Mode

Setting the Idle Mode Select bit (PCON.0) causes the CIP-51 to halt the CPU and enter Idle mode as soon as the instruction that sets the bit completes execution. All internal registers and memory maintain their original data. All analog and digital peripherals can remain active during Idle mode.

Idle mode is terminated when an enabled interrupt is asserted or a reset occurs. The assertion of an enabled interrupt will cause the Idle Mode Selection bit (PCON.0) to be cleared and the CPU to resume operation. The pending interrupt will be serviced and the next instruction to be executed after the return from interrupt (RETI) will be the instruction immediately following the one that set the Idle Mode Select bit. If Idle mode is terminated by an internal or external reset, the CIP-51 performs a normal reset sequence and begins program execution at address 0x0000.

If enabled, the Watchdog Timer (WDT) will eventually cause an internal watchdog reset and thereby terminate the Idle mode. This feature protects the system from an unintended permanent shutdown in the event of an inadvertent write to the PCON register. If this behavior is not desired, the WDT may be disabled by software prior to entering the Idle mode if the WDT was initially configured to allow this operation. This provides the opportunity for additional power savings, allowing the system to remain in the Idle mode indefinitely, waiting for an external stimulus to wake up the system. Refer to [Section "9.6. PCA Watchdog Timer Reset" on page 108](#) for more information on the use and configuration of the WDT.

**Note:** Any instruction that sets the IDLE bit should be immediately followed by an instruction that has 2 or more opcode bytes. For example:

```
// in 'C':
PCON |= 0x01; // set IDLE bit
PCON = PCON; // ... followed by a 3-cycle dummy instruction

; in assembly:
ORL PCON, #01h ; set IDLE bit
MOV PCON, PCON; ... followed by a 3-cycle dummy instruction
```

If the instruction following the write of the IDLE bit is a single-byte instruction and an interrupt occurs during the execution phase of the instruction that sets the IDLE bit, the CPU may not wake from IDLE mode when a future interrupt occurs.

## 8.4.2. Stop Mode

Setting the Stop Mode Select bit (PCON.1) causes the CIP-51 to enter Stop mode as soon as the instruction that sets the bit completes execution. In Stop mode the internal oscillator, CPU, and all digital peripherals are stopped; the state of the external oscillator circuit is not affected. Each analog peripheral (including the external oscillator circuit) may be shut down individually prior to entering Stop Mode. Stop mode can only be terminated by an internal or external reset. On reset, the CIP-51 performs the normal reset sequence and begins program execution at address 0x0000.

If enabled, the Missing Clock Detector will cause an internal reset and thereby terminate the Stop mode. The Missing Clock Detector should be disabled if the CPU is to be put in STOP mode for longer than the MCD timeout of 100  $\mu$ sec.

### SFR Definition 8.12. PCON: Power Control

R/W	R/W	R/W	R/W	R/W	R/W	R/W	R/W	Reset Value
GF5	GF4	GF3	GF2	GF1	GF0	STOP	IDLE	00000000
Bit7	Bit6	Bit5	Bit4	Bit3	Bit2	Bit1	Bit0	SFR Address: 0x87

Bits7–2: GF5–GF0: General Purpose Flags 5–0.  
These are general purpose flags for use under software control.

Bit1: STOP: Stop Mode Select.  
Setting this bit will place the CIP-51 in Stop mode. This bit will always be read as 0.  
1: CPU goes into Stop mode (internal oscillator stopped).

Bit0: IDLE: Idle Mode Select.  
Setting this bit will place the CIP-51 in Idle mode. This bit will always be read as 0.  
1: CPU goes into Idle mode. (Shuts off clock to CPU, but clock to Timers, Interrupts, Serial Ports, and Analog Peripherals are still active.)

# C8051F310/1/2/3/4/5/6/7

---

**NOTES:**



## 9. Reset Sources

Reset circuitry allows the controller to be easily placed in a predefined default condition. On entry to this reset state, the following occur:

- CIP-51 halts program execution
- Special Function Registers (SFRs) are initialized to their defined reset values
- External Port pins are forced to a known state
- Interrupts and timers are disabled.

All SFRs are reset to the predefined values noted in the SFR detailed descriptions. The contents of internal data memory are unaffected during a reset; any previously stored data is preserved. However, since the stack pointer SFR is reset, the stack is effectively lost, even though the data on the stack is not altered.

The Port I/O latches are reset to 0xFF (all logic ones) in open-drain mode. Weak pullups are enabled during and after the reset. For  $V_{DD}$  Monitor and power-on resets, the  $\overline{RST}$  pin is driven low until the device exits the reset state.

On exit from the reset state, the program counter (PC) is reset, and the system clock defaults to the internal oscillator. Refer to [Section “12. Oscillators” on page 121](#) for information on selecting and configuring the system clock source. The Watchdog Timer is enabled with the system clock divided by 12 as its clock source ([Section “18.3. Watchdog Timer Mode” on page 212](#) details the use of the Watchdog Timer). Program execution begins at location 0x0000.

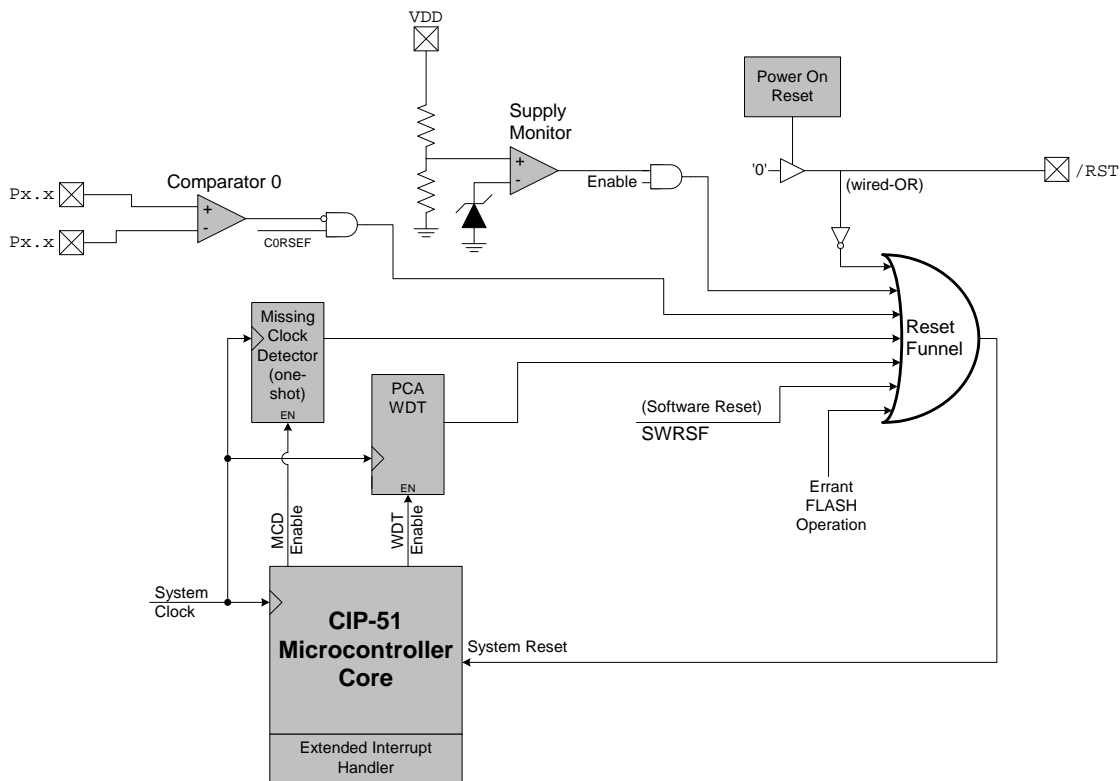


Figure 9.1. Reset Sources

# C8051F310/1/2/3/4/5/6/7

## 9.1. Power-On Reset

During power-up, the device is held in a reset state and the  $\overline{\text{RST}}$  pin is driven low until  $V_{\text{DD}}$  settles above  $V_{\text{RST}}$ . An additional delay occurs before the device is released from reset; the delay decreases as the  $V_{\text{DD}}$  ramp time increases ( $V_{\text{DD}}$  ramp time is defined as how fast  $V_{\text{DD}}$  ramps from 0 V to  $V_{\text{RST}}$ ). Figure 9.2. plots the power-on and  $V_{\text{DD}}$  monitor reset timing. For valid ramp times (less than 1 ms), the power-on reset delay ( $T_{\text{PORDelay}}$ ) is typically less than 0.3 ms.

Note: The maximum  $V_{\text{DD}}$  ramp time is 1 ms; slower ramp times may cause the device to be released from reset before  $V_{\text{DD}}$  reaches the  $V_{\text{RST}}$  level.

On exit from a power-on reset, the PORSF flag (RSTSRC.1) is set by hardware to logic 1. When PORSF is set, all of the other reset flags in the RSTSRC Register are indeterminate (PORSF is cleared by all other resets). Since all resets cause program execution to begin at the same location (0x0000) software can read the PORSF flag to determine if a power-up was the cause of reset. The content of internal data memory should be assumed to be undefined after a power-on reset. The  $V_{\text{DD}}$  monitor is disabled following a power-on reset.

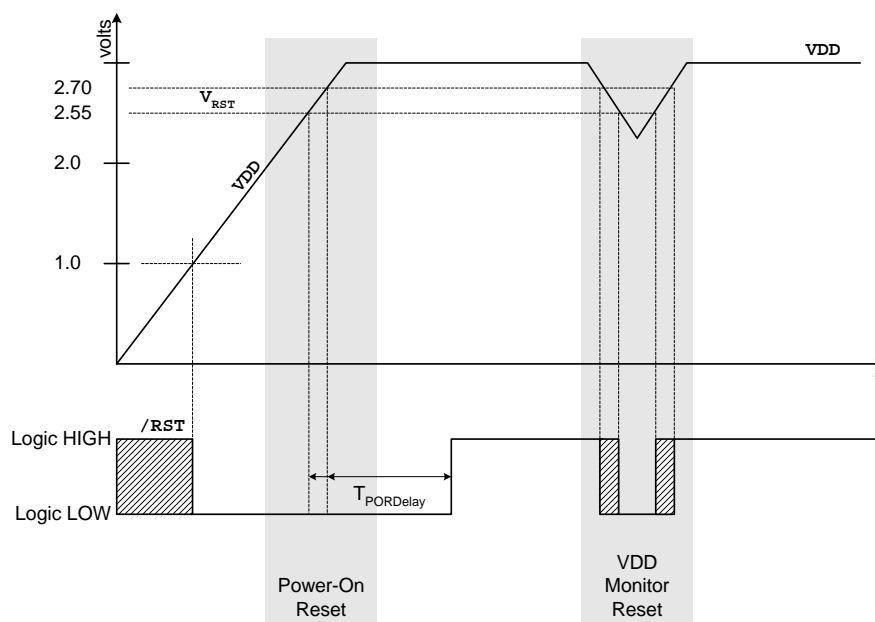


Figure 9.2. Power-On and  $V_{\text{DD}}$  Monitor Reset Timing

## 9.2. Power-Fail Reset / $V_{\text{DD}}$ Monitor

When a power-down transition or power irregularity causes  $V_{\text{DD}}$  to drop below  $V_{\text{RST}}$ , the power supply monitor will drive the  $\overline{\text{RST}}$  pin low and hold the CIP-51 in a reset state (see Figure 9.2). When  $V_{\text{DD}}$  returns to a level above  $V_{\text{RST}}$ , the CIP-51 will be released from the reset state. Note that even though internal data memory contents are not altered by the power-fail reset, it is impossible to determine if  $V_{\text{DD}}$  dropped below the level required for data retention. If the PORSF flag reads '1', the data may no longer be valid. The  $V_{\text{DD}}$  monitor is disabled after power-on resets; however its defined state (enabled/disabled) is not altered by

any other reset source. For example, if the  $V_{DD}$  monitor is enabled and a software reset is performed, the  $V_{DD}$  monitor will still be enabled after the reset.

**Important Note:** The  $V_{DD}$  monitor must be enabled before it is selected as a reset source. Selecting the  $V_{DD}$  monitor as a reset source before it is enabled and stabilized may cause a system reset. The procedure for configuring the  $V_{DD}$  monitor as a reset source is shown below:

- Step 1. Enable the  $V_{DD}$  monitor (VDMEN bit in VDM0CN = '1').
- Step 2. Wait for the  $V_{DD}$  monitor to stabilize (see Table 9.1 for the  $V_{DD}$  Monitor turn-on time).  
Note: This delay should be omitted if software contains routines that erase or write Flash memory.
- Step 3. Select the  $V_{DD}$  monitor as a reset source (PORSF bit in RSTSRC = '1').

See Figure 9.2 for  $V_{DD}$  monitor timing; note that the reset delay is not incurred after a  $V_{DD}$  monitor reset. See Table 9.1 for complete electrical characteristics of the  $V_{DD}$  monitor.

## SFR Definition 9.1. VDM0CN: $V_{DD}$ Monitor Control

R/W	R	R	R	R	R	R	R	Reset Value
VDMEN	VDDSTAT	Reserved	Reserved	Reserved	Reserved	Reserved	Reserved	Variable
Bit7	Bit6	Bit5	Bit4	Bit3	Bit2	Bit1	Bit0	

SFR Address: 0xFF

Bit7: VDMEN:  $V_{DD}$  Monitor Enable.  
This bit is turns the  $V_{DD}$  monitor circuit on/off. The  $V_{DD}$  Monitor cannot generate system resets until it is also selected as a reset source in register RSTSRC (Figure 9.2). The  $V_{DD}$  Monitor must be allowed to stabilize before it is selected as a reset source. **Selecting the  $V_{DD}$  monitor as a reset source before it has stabilized may generate a system reset.** See Table 9.1 for the minimum  $V_{DD}$  Monitor turn-on time.  
0:  $V_{DD}$  Monitor Disabled.  
1:  $V_{DD}$  Monitor Enabled.

Bit6: VDD STAT:  $V_{DD}$  Status.  
This bit indicates the current power supply status ( $V_{DD}$  Monitor output).  
0:  $V_{DD}$  is at or below the  $V_{DD}$  monitor threshold.  
1:  $V_{DD}$  is above the  $V_{DD}$  monitor threshold.

Bits5–0: Reserved. Read = Variable. Write = don't care.

### 9.3. External Reset

The external  $\overline{RST}$  pin provides a means for external circuitry to force the device into a reset state. Asserting an active-low signal on the  $\overline{RST}$  pin generates a reset; an external pullup and/or decoupling of the  $\overline{RST}$  pin may be necessary to avoid erroneous noise-induced resets. See Table 9.1 for complete  $\overline{RST}$  pin specifications. The PINRSF flag (RSTSRC.0) is set on exit from an external reset.

# C8051F310/1/2/3/4/5/6/7

---

## 9.4. Missing Clock Detector Reset

The Missing Clock Detector (MCD) is a one-shot circuit that is triggered by the system clock. If the system clock remains high or low for more than 100  $\mu$ s, the one-shot will time out and generate a reset. After a MCD reset, the MCDRSF flag (RSTSRC.2) will read '1', signifying the MCD as the reset source; otherwise, this bit reads '0'. Writing a '1' to the MCDRSF bit enables the Missing Clock Detector; writing a '0' disables it. The state of the  $\overline{\text{RST}}$  pin is unaffected by this reset.

## 9.5. Comparator0 Reset

Comparator0 can be configured as a reset source by writing a '1' to the CORSEF flag (RSTSRC.5). Comparator0 should be enabled and allowed to settle prior to writing to CORSEF to prevent any turn-on chatter on the output from generating an unwanted reset. The Comparator0 reset is active-low: if the non-inverting input voltage (on CP0+) is less than the inverting input voltage (on CP0-), the device is put into the reset state. After a Comparator0 reset, the CORSEF flag (RSTSRC.5) will read '1' signifying Comparator0 as the reset source; otherwise, this bit reads '0'. The state of the  $\overline{\text{RST}}$  pin is unaffected by this reset.

## 9.6. PCA Watchdog Timer Reset

The programmable Watchdog Timer (WDT) function of the Programmable Counter Array (PCA) can be used to prevent software from running out of control during a system malfunction. The PCA WDT function can be enabled or disabled by software as described in [Section "18.3. Watchdog Timer Mode" on page 212](#); the WDT is enabled and clocked by SYSCLK / 12 following any reset. If a system malfunction prevents user software from updating the WDT, a reset is generated and the WDTRSF bit (RSTSRC.5) is set to '1'. The state of the  $\overline{\text{RST}}$  pin is unaffected by this reset.

## 9.7. Flash Error Reset

If a Flash read/write/erase or program read targets an illegal address, a system reset is generated. This may occur due to any of the following:

- A Flash write or erase is attempted above user code space. This occurs when PSWE is set to '1' and a MOVX write operation targets an address above address 0x3DFF for C8051F310/1 or 0x1FFF for C8051F312/3/4/5.
- A Flash read is attempted above user code space. This occurs when a MOVC operation targets an address above address 0x3DFF for C8051F310/1 or 0x1FFF for C8051F312/3/4/5.
- A Program read is attempted above user code space. This occurs when user code attempts to branch to an address above 0x3DFF for C8051F310/1 or 0x1FFF for C8051F312/3/4/5.
- A Flash read, write or erase attempt is restricted due to a Flash security setting (see [Section "10.3. Security Options" on page 113](#)).

The FERROR bit (RSTSRC.6) is set following a Flash error reset. The state of the  $\overline{\text{RST}}$  pin is unaffected by this reset.

## 9.8. Software Reset

Software may force a reset by writing a '1' to the SWRSF bit (RSTSRC.4). The SWRSF bit will read '1' following a software forced reset. The state of the  $\overline{\text{RST}}$  pin is unaffected by this reset.

## SFR Definition 9.2. RSTSRC: Reset Source

R	R	R/W	R/W	R	R/W	R/W	R	Reset Value
-	FERROR	CORSEF	SWRSF	WDTRSF	MCDRSF	PORSF	PINRSF	Variable
Bit7	Bit6	Bit5	Bit4	Bit3	Bit2	Bit1	Bit0	

SFR Address: 0xEF

Bit7: UNUSED. Read = 0. Write = don't care.

Bit6: FERROR: Flash Error Indicator.  
0: Source of last reset was not a Flash read/write/erase error.  
1: Source of last reset was a Flash read/write/erase error.

Bit5: CORSEF: Comparator0 Reset Enable and Flag.  
0: **Read:** Source of last reset was not Comparator0. **Write:** Comparator0 is not a reset source.  
1: **Read:** Source of last reset was Comparator0. **Write:** Comparator0 is a reset source (active-low).

Bit4: SWRSF: Software Reset Force and Flag.  
0: **Read:** Source of last reset was not a write to the SWRSF bit. **Write:** No Effect.  
1: **Read:** Source of last was a write to the SWRSF bit. **Write:** Forces a system reset.

Bit3: WDTRSF: Watchdog Timer Reset Flag.  
0: Source of last reset was not a WDT timeout.  
1: Source of last reset was a WDT timeout.

Bit2: MCDRSF: Missing Clock Detector Flag.  
0: **Read:** Source of last reset was not a Missing Clock Detector timeout. **Write:** Missing Clock Detector disabled.  
1: **Read:** Source of last reset was a Missing Clock Detector timeout. **Write:** Missing Clock Detector enabled; triggers a reset if a missing clock condition is detected.

Bit1: PORSF: Power-On Reset Force and Flag.  
This bit is set anytime a power-on reset occurs. Writing this bit enables/disables the  $V_{DD}$  monitor as a reset source. **Note: writing '1' to this bit before the  $V_{DD}$  monitor is enabled and stabilized may cause a system reset.** See register VDM0CN (Figure 9.1)  
0: **Read:** Last reset was not a power-on or  $V_{DD}$  monitor reset. **Write:**  $V_{DD}$  monitor is not a reset source.  
1: **Read:** Last reset was a power-on or  $V_{DD}$  monitor reset; all other reset flags indeterminate. **Write:**  $V_{DD}$  monitor is a reset source.

Bit0: PINRSF: HW Pin Reset Flag.  
0: Source of last reset was not RST pin.  
1: Source of last reset was RST pin.

**Note:** For bits that act as both reset source enables (on a write) and reset indicator flags (on a read), read-modify-write instructions read and modify the source enable only. This applies to bits: CORSEF, SWRSF, MCDRSF, PORSF.

# C8051F310/1/2/3/4/5/6/7

**Table 9.1. Reset Electrical Characteristics**

–40 to +85 °C unless otherwise specified.

Parameter	Conditions	Min	Typ	Max	Units
$\overline{\text{RST}}$ Output Low Voltage	$I_{OL} = 8.5 \text{ mA}$ , $V_{DD} = 2.7 \text{ to } 3.6 \text{ V}$	—	—	0.6	V
$\overline{\text{RST}}$ Input High Voltage		$0.7 \times V_{DD}$	—	—	V
$\overline{\text{RST}}$ Input Low Voltage		—	—	$0.3 \times V_{DD}$	
$\overline{\text{RST}}$ Input Pullup Current	$\overline{\text{RST}} = 0.0 \text{ V}$	—	25	40	$\mu\text{A}$
$V_{DD}$ Monitor Threshold ( $V_{RST}$ )		2.40	2.55	2.70	V
Missing Clock Detector Timeout	Time from last system clock rising edge to reset initiation	100	220	600	$\mu\text{s}$
Reset Time Delay	Delay between release of any reset source and code execution at location 0x0000	5.0	—	—	$\mu\text{s}$
Minimum $\overline{\text{RST}}$ Low Time to Generate a System Reset		15	—	—	$\mu\text{s}$
$V_{DD}$ Monitor Turn-on Time		100	—	—	$\mu\text{s}$
$V_{DD}$ Monitor Supply Current		—	20	50	$\mu\text{A}$
$V_{DD}$ Ramp Time	$V_{DD} = 0 \text{ V}$ to $V_{DD} = 2.7 \text{ V}$	—	—	1	ms

---

## 10. Flash Memory

On-chip, re-programmable Flash memory is included for program code and non-volatile data storage. The Flash memory can be programmed in-system, a single byte at a time, through the C2 interface or by software using the MOVX instruction. Once cleared to logic 0, a Flash bit must be erased to set it back to logic 1. Flash bytes would typically be erased (set to 0xFF) before being reprogrammed. The write and erase operations are automatically timed by hardware for proper execution; data polling to determine the end of the write/erase operation is not required. Code execution is stalled during a Flash write/erase operation. Refer to Table 10.1 for complete Flash memory electrical characteristics.

### 10.1. Programming The Flash Memory

The simplest means of programming the Flash memory is through the C2 interface using programming tools provided by Silicon Labs or a third party vendor. This is the only means for programming a non-initialized device. For details on the C2 commands to program Flash memory, see [Section “20. C2 Interface” on page 223](#).

**To ensure the integrity of Flash contents, it is strongly recommended that the on-chip  $V_{DD}$  Monitor be enabled in any system that includes code that writes and/or erases Flash memory from software.**

#### 10.1.1. Flash Lock and Key Functions

Flash writes and erases by user software are protected with a lock and key function. The Flash Lock and Key Register (FLKEY) must be written with the correct key codes, in sequence, before Flash operations may be performed. The key codes are: 0xA5, 0xF1. The timing does not matter, but the codes must be written in order. If the key codes are written out of order, or the wrong codes are written, Flash writes and erases will be disabled until the next system reset. Flash writes and erases will also be disabled if a Flash write or erase is attempted before the key codes have been written properly. The Flash lock resets after each write or erase; the key codes must be written again before a following Flash operation can be performed. The FLKEY register is detailed in SFR Definition 10.2.

#### 10.1.2. Flash Erase Procedure

The Flash memory can be programmed from software using the MOVX write instruction with the address and data byte to be programmed provided as normal operands. Before writing to Flash memory using MOVX, Flash write operations must be enabled by: (1) setting the PSWE Program Store Write Enable bit (PSCTL.0) to logic 1 (this directs the MOVX writes to target Flash memory); and (2) Writing the Flash key codes in sequence to the Flash Lock register (FLKEY). The PSWE bit remains set until cleared by software.

A write to Flash memory can clear bits to logic 0 but cannot set them; only an erase operation can set bits to logic 1 in Flash. **A byte location to be programmed should be erased before a new value is written.** The Flash memory is organized in 512-byte pages. The erase operation applies to an entire page (setting all bytes in the page to 0xFF). To erase an entire 512-byte page, perform the following steps:

- Step 1. Disable interrupts (recommended).
- Step 2. Set the PSEE bit (register PSCTL).
- Step 3. Set the PSWE bit (register PSCTL).
- Step 4. Write the first key code to FLKEY: 0xA5.
- Step 5. Write the second key code to FLKEY: 0xF1.
- Step 6. Using the MOVX instruction, write a data byte to any location within the 512-byte page to be erased.

# C8051F310/1/2/3/4/5/6/7

## 10.1.3. Flash Write Procedure

Flash bytes are programmed by software with the following sequence:

- Step 1. Disable interrupts (recommended).
- Step 2. Erase the 512-byte Flash page containing the target location, as described in [Section 10.1.2](#).
- Step 3. Set the PSWE bit (register PSCTL).
- Step 4. Clear the PSEE bit (register PSCTL).
- Step 5. Write the first key code to FLKEY: 0xA5.
- Step 6. Write the second key code to FLKEY: 0xF1.
- Step 7. Using the MOVX instruction, write a single data byte to the desired location within the 512 byte sector.

Steps 5–7 must be repeated for each byte to be written. After Flash writes are complete, PSWE should be cleared so that MOVX instructions do not target program memory.

**Table 10.1. Flash Electrical Characteristics**

$V_{DD} = 2.7$  to  $3.6$  V;  $-40$  to  $+85$  °C unless otherwise specified.

Parameter	Conditions	Min	Typ	Max	Units
Flash Size	C8051F310/1/6/7	16384*	—	—	bytes
	C8051F312/3/4/5	8192	—	—	
Endurance		20 k	100 k	—	Erase/Write
Erase Cycle Time	25 MHz System Clock	10	15	20	ms
Write Cycle Time	25 MHz System Clock	40	55	70	µs

\*Note: 512 bytes at locations 0x3E00 (C8051F310/1) are reserved.

## 10.2. Non-volatile Data Storage

The Flash memory can be used for non-volatile data storage as well as program code. This allows data such as calibration coefficients to be calculated and stored at run time. Data is written using the MOVX write instruction and read using the MOVC instruction. Note: MOVX read instructions always target XRAM.



## 10.3. Security Options

The CIP-51 provides security options to protect the Flash memory from inadvertent modification by software as well as to prevent the viewing of proprietary program code and constants. The Program Store Write Enable (bit PSWE in register PSCTL) and the Program Store Erase Enable (bit PSEE in register PSCTL) bits protect the Flash memory from accidental modification by software. PSWE must be explicitly set to '1' before software can modify the Flash memory; both PSWE and PSEE must be set to '1' before software can erase Flash memory. Additional security features prevent proprietary program code and data constants from being read or altered across the C2 interface.

A Security Lock Byte located at the last byte of Flash user space offers protection of the Flash program memory from access (reads, writes, or erases) by unprotected code or the C2 interface. The Flash security mechanism allows the user to lock  $n$  512-byte Flash pages, starting at page 0 (addresses 0x0000 to 0x01FF), where  $n$  is the 1's complement number represented by the Security Lock Byte. **Note that the page containing the Flash Security Lock Byte is unlocked when no other Flash pages are locked (all bits of the Lock Byte are '1') and locked when any other Flash pages are locked (any bit of the Lock Byte is '0').** See the example below.

Security Lock Byte:	11111101b
1's Complement:	00000010b
<hr/>	
Flash pages locked:	3 (First two Flash pages + Lock Byte Page)

Addresses locked: 0x0000 to 0x03FF (first two Flash pages)  
and 0x3C00 to 0x3DFF or 0x1E00 to 0x1FFF (Lock Byte Page)

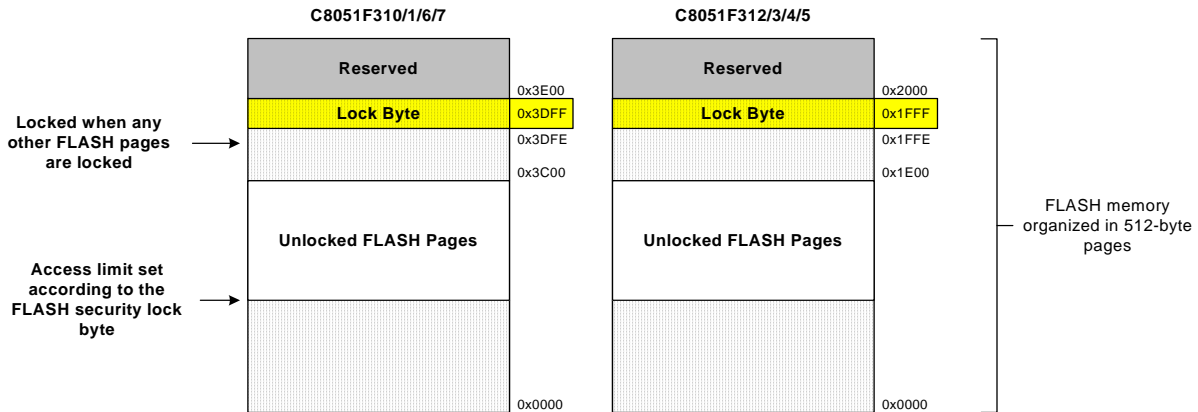


Figure 10.1. Flash Program Memory Map

# C8051F310/1/2/3/4/5/6/7

The level of Flash security depends on the Flash access method. The three Flash access methods that can be restricted are reads, writes, and erases from the C2 debug interface, user firmware executing on unlocked pages, and user firmware executing on locked pages. Table 10.2 summarizes the Flash security features of the C8051F31x devices.

**Table 10.2. Flash Security Summary**

Action	C2 Debug Interface	User Firmware executing from:	
		an unlocked page	a locked page
Read, Write or Erase unlocked pages (except page with Lock Byte)	Permitted	Permitted	Permitted
Read, Write or Erase locked pages (except page with Lock Byte)	Not Permitted	Flash Error Reset	Permitted
Read or Write page containing Lock Byte (if no pages are locked)	Permitted	Permitted	Permitted
Read or Write page containing Lock Byte (if any page is locked)	Not Permitted	Flash Error Reset	Permitted
Read contents of Lock Byte (if no pages are locked)	Permitted	Permitted	Permitted
Read contents of Lock Byte (if any page is locked)	Not Permitted	Flash Error Reset	Permitted
Erase page containing Lock Byte (if no pages are locked)	Permitted	Flash Error Reset	Flash Error Reset
Erase page containing Lock Byte - Unlock all pages (if any page is locked)	C2 Device Erase Only	Flash Error Reset	Flash Error Reset
Lock additional pages (change '1's to '0's in the Lock Byte)	Not Permitted	Flash Error Reset	Flash Error Reset
Unlock individual pages (change '0's to '1's in the Lock Byte)	Not Permitted	Flash Error Reset	Flash Error Reset
Read, Write or Erase Reserved Area	Not Permitted	Flash Error Reset	Flash Error Reset

C2 Device Erase - Erases all Flash pages including the page containing the Lock Byte.

Flash Error Reset - Not permitted; Causes Flash Error Device Reset (FERROR bit in RSTSRC is '1' after reset).

- All prohibited operations that are performed via the C2 interface are ignored (do not cause device reset).
- Locking any Flash page also locks the page containing the Lock Byte.
- Once written to, the Lock Byte cannot be modified except by performing a C2 Device Erase.
- If user code writes to the Lock Byte, the Lock does not take effect until the next device reset.

---

## 10.4. Flash Write and Erase Guidelines

Any system which contains routines which write or erase Flash memory from software involves some risk that the write or erase routines will execute unintentionally if the CPU is operating outside its specified operating range of  $V_{DD}$ , system clock frequency, or temperature. This accidental execution of Flash modifying code can result in alteration of Flash memory contents causing a system failure that is only recoverable by re-Flashing the code in the device.

The following guidelines are recommended for any system that contains routines which write or erase Flash from code.

### 10.4.1. $V_{DD}$ Maintenance and the $V_{DD}$ Monitor

1. If the system power supply is subject to voltage or current "spikes," add sufficient transient protection devices to the power supply to ensure that the supply voltages listed in the Absolute Maximum Ratings table are not exceeded.
2. Make certain that the minimum  $V_{DD}$  rise time specification of 1 ms is met. If the system cannot meet this rise time specification, then add an external  $V_{DD}$  brownout circuit to the RST pin of the device that holds the device in reset until  $V_{DD}$  reaches 2.7 V and re-asserts RST if  $V_{DD}$  drops below 2.7 V.
3. Enable the on-chip  $V_{DD}$  monitor and enable the  $V_{DD}$  monitor as a reset source as early in code as possible. This should be the first set of instructions executed after the Reset Vector. For 'C'-based systems, this will involve modifying the startup code added by the 'C' compiler. See your compiler documentation for more details. Make certain that there are no delays in software between enabling the  $V_{DD}$  monitor and enabling the  $V_{DD}$  monitor as a reset source. Code examples showing this can be found in "AN201: Writing to Flash from Firmware", available from the Silicon Laboratories web site.
4. As an added precaution, explicitly enable the  $V_{DD}$  monitor and enable the  $V_{DD}$  monitor as a reset source inside the functions that write and erase Flash memory. The  $V_{DD}$  monitor enable instructions should be placed just after the instruction to set PSWE to a '1', but before the Flash write or erase operation instruction.
5. Make certain that all writes to the RSTSRC (Reset Sources) register use direct assignment operators and explicitly DO NOT use the bit-wise operators (such as AND or OR). For example, "RSTSRC = 0x02" is correct. "RSTSRC |= 0x02" is incorrect.
6. Make certain that all writes to the RSTSRC register explicitly set the PORSF bit to a '1'. Areas to check are initialization code which enables other reset sources, such as the Missing Clock Detector or Comparator, for example, and instructions which force a Software Reset. A global search on "RSTSRC" can quickly verify this.

### 10.4.2. PSWE Maintenance

7. Reduce the number of places in code where the PSWE bit (b0 in PSCTL) is set to a '1'. There should be exactly one routine in code that sets PSWE to a '1' to write Flash bytes and one routine in code that sets PSWE and PSEE both to a '1' to erase Flash pages.
8. Minimize the number of variable accesses while PSWE is set to a '1'. Handle pointer address updates and loop variable maintenance outside the "PSWE = 1; ... PSWE = 0;" area. Code examples showing this can be found in AN201, "Writing to Flash from Firmware", available from the Silicon Laboratories web site.
9. Disable interrupts prior to setting PSWE to a '1' and leave them disabled until after PSWE has been reset to '0'. Any interrupts posted during the Flash write or erase operation will be serviced in priority order after the Flash operation has been completed and interrupts have been re-enabled by software.

# C8051F310/1/2/3/4/5/6/7

10. Make certain that the Flash write and erase pointer variables are not located in XRAM. See your compiler documentation for instructions regarding how to explicitly locate variables in different memory areas.
11. Add address bounds checking to the routines that write or erase Flash memory to ensure that a routine called with an illegal address does not result in modification of the Flash.

## 10.4.3. System Clock

12. If operating from an external crystal, be advised that crystal performance is susceptible to electrical interference and is sensitive to layout and to changes in temperature. If the system is operating in an electrically noisy environment, use the internal oscillator or use an external CMOS clock.
13. If operating from the external oscillator, switch to the internal oscillator during Flash write or erase operations. The external oscillator can continue to run, and the CPU can switch back to the external oscillator after the Flash operation has completed.

Additional Flash recommendations and example code can be found in AN201, "Writing to Flash from Firmware", available from the Silicon Laboratories web site.

### SFR Definition 10.1. PSCTL: Program Store R/W Control

R/W	R/W	R/W	R/W	R/W	R/W	R/W	R/W	Reset Value
-	-	-	-	-	-	PSEE	PSWE	00000000
Bit7	Bit6	Bit5	Bit4	Bit3	Bit2	Bit1	Bit0	SFR Address: 0x8F

Bits7–2: UNUSED: Read = 000000b, Write = don't care.

Bit1: PSEE: Program Store Erase Enable  
Setting this bit (in combination with PSWE) allows an entire page of Flash program memory to be erased. If this bit is logic 1 and Flash writes are enabled (PSWE is logic 1), a write to Flash memory using the MOVX instruction will erase the entire page that contains the location addressed by the MOVX instruction. The value of the data byte written does not matter.  
0: Flash program memory erasure disabled.  
1: Flash program memory erasure enabled.

Bit0: PSWE: Program Store Write Enable  
Setting this bit allows writing a byte of data to the Flash program memory using the MOVX write instruction. The Flash location should be erased before writing data.  
0: Writes to Flash program memory disabled.  
1: Writes to Flash program memory enabled; the MOVX write instruction targets Flash memory.

## SFR Definition 10.2. FLKEY: Flash Lock and Key

R/W	R/W	R/W	R/W	R/W	R/W	R/W	R/W	Reset Value
								00000000
Bit7	Bit6	Bit5	Bit4	Bit3	Bit2	Bit1	Bit0	SFR Address: 0xB7

Bits7–0: FLKEY: Flash Lock and Key Register

Write:  
This register must be written to before Flash writes or erases can be performed. Flash remains locked until this register is written to with the following key codes: 0xA5, 0xF1. The timing of the writes does not matter, as long as the codes are written in order. The key codes must be written for each Flash write or erase operation. Flash will be locked until the next system reset if the wrong codes are written or if a Flash operation is attempted before the codes have been written correctly.

Read:  
When read, bits 1-0 indicate the current Flash lock state.

00: Flash is write/erase locked.  
01: The first key code has been written (0xA5).  
10: Flash is unlocked (writes/erases allowed).  
11: Flash writes/erases disabled until the next reset.

## SFR Definition 10.3. FLSC: Flash Scale

R/W	R/W	R/W	R/W	R/W	R/W	R/W	R/W	Reset Value
FOSE	Reserved	Reserved	Reserved	Reserved	Reserved	Reserved	Reserved	10000000
Bit7	Bit6	Bit5	Bit4	Bit3	Bit2	Bit1	Bit0	SFR Address: 0xB6

Bits7: FOSE: Flash One-shot Enable  
This bit enables the Flash read one-shot. When the Flash one-shot disabled, the Flash sense amps are enabled for a full clock cycle during Flash reads. At system clock frequencies below 10 MHz, disabling the Flash one-shot will increase system power consumption.  
0: Flash one-shot disabled.  
1: Flash one-shot enabled.

Bits6–0: RESERVED. Read = 0. Must Write 0.

# C8051F310/1/2/3/4/5/6/7

---

**NOTES:**

## 11. External RAM

The C8051F31x devices include 1024 bytes of RAM mapped into the external data memory space. All of these address locations may be accessed using the external move instruction (MOVX) and the data pointer (DPTR), or using MOVX indirect addressing mode. If the MOVX instruction is used with an 8-bit address operand (such as @R1), then the high byte of the 16-bit address is provided by the External Memory Interface Control Register (EMI0CN as shown in SFR Definition 11.1). Note: the MOVX instruction is also used for writes to the Flash memory. See [Section “10. Flash Memory” on page 111](#) for details. The MOVX instruction accesses XRAM by default.

For a 16-bit MOVX operation (@DPTR), the upper 6-bits of the 16-bit external data memory address word are "don't cares." As a result, the 1024 byte RAM is mapped modulo style over the entire 64 k external data memory address range. For example, the XRAM byte at address 0x0000 is shadowed at addresses 0x0400, 0x0800, 0x0C00, 0x1000, etc. This is a useful feature when performing a linear memory fill, as the address pointer doesn't have to be reset when reaching the RAM block boundary.

### SFR Definition 11.1. EMI0CN: External Memory Interface Control

R/W	R/W	R/W	R/W	R/W	R/W	R/W	R/W	Reset Value
						PGSEL		00000000
Bit7	Bit6	Bit5	Bit4	Bit3	Bit2	Bit1	Bit0	
								SFR Address: 0xAA

Bits 7–2: UNUSED. Read = 000000b. Write = don't care.  
 Bits 1–0: PGSEL: XRAM Page Select.  
 The EMI0CN register provides the high byte of the 16-bit external data memory address when using an 8-bit MOVX command, effectively selecting a 256-byte page of RAM. Since the upper (unused) bits of the register are always zero, the PGSEL determines which page of XRAM is accessed.

For Example: If EMI0CN = 0x01, addresses 0x0100 through 0x01FF will be accessed.

# C8051F310/1/2/3/4/5/6/7

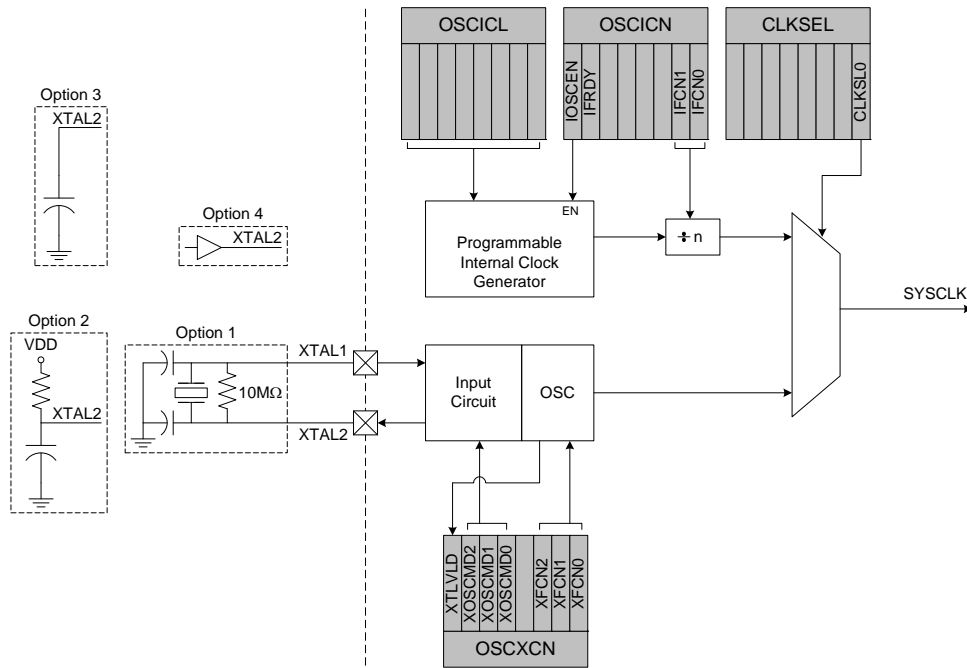
---

**NOTES:**



## 12. Oscillators

C8051F31x devices include a programmable internal oscillator and an external oscillator drive circuit. The internal oscillator can be enabled/disabled and calibrated using the OSCICL and OSCICN registers, as shown in Figure 12.1. The system clock can be sourced by the external oscillator circuit, the internal oscillator, or a scaled version of the internal oscillator. The internal oscillator's electrical specifications are given in Table 12.1 on page 123.



**Figure 12.1. Oscillator Diagram**

### 12.1. Programmable Internal Oscillator

All C8051F31x devices include a programmable internal oscillator that defaults as the system clock after a system reset. The internal oscillator period can be programmed via the OSCICL register as defined by SFR Definition 12.1 OSCICL is factor calibrated to obtain a 24.5 MHz frequency.

Electrical specifications for the precision internal oscillator are given in Table 12.1 on page 123. Note that the system clock may be derived from the programmed internal oscillator divided by 1, 2, 4, or 8, as defined by the IFCN bits in register OSCICN. The divide value defaults to 8 following a reset.

# C8051F310/1/2/3/4/5/6/7

## SFR Definition 12.1. OSCICL: Internal Oscillator Calibration

R/W	R/W	R/W	R/W	R/W	R/W	R/W	R/W	Reset Value
								Variable
Bit7	Bit6	Bit5	Bit4	Bit3	Bit2	Bit1	Bit0	SFR Address: 0xB3

Bit7: UNUSED. Read = 0. Write = don't care.  
 Bits 6–0: OSCICL: Internal Oscillator Calibration Register.  
 This register determines the internal oscillator period. This reset value for OSCICL determines the oscillator base frequency. The reset value is factory calibrated to generate an internal oscillator frequency of 24.5 MHz.

## SFR Definition 12.2. OSCICN: Internal Oscillator Control

R/W	R	R/W	R/W	R/W	R/W	R/W	R/W	Reset Value
IOSCEN	IFRDY					IFCN1	IFCN0	11000000
Bit7	Bit6	Bit5	Bit4	Bit3	Bit2	Bit1	Bit0	SFR Address: 0xB2

Bit7: IOSCEN: Internal Oscillator Enable Bit.  
 0: Internal Oscillator Disabled.  
 1: Internal Oscillator Enabled.  
 Bit6: IFRDY: Internal Oscillator Frequency Ready Flag.  
 0: Internal Oscillator is not running at programmed frequency.  
 1: Internal Oscillator is running at programmed frequency.  
 Bits5–2: UNUSED. Read = 0000b, Write = don't care.  
 Bits1–0: IFCN1-0: Internal Oscillator Frequency Control Bits.  
 00: SYSCLK derived from Internal Oscillator divided by 8.  
 01: SYSCLK derived from Internal Oscillator divided by 4.  
 10: SYSCLK derived from Internal Oscillator divided by 2.  
 11: SYSCLK derived from Internal Oscillator divided by 1.

## SFR Definition 12.3. CLKSEL: Clock Select

R/W	R/W	R/W	R/W	R/W	R/W	R/W	R/W	Reset Value
Reserved	Reserved	Reserved	Reserved	Reserved	Reserved	Reserved	CLKSL0	00000000
Bit7	Bit6	Bit5	Bit4	Bit3	Bit2	Bit1	Bit0	SFR Address: 0xA9

Bits7–1: Reserved. Read = 0000000b, Must Write = 0000000.

Bit0: CLKSL0: System Clock Source Select Bit.  
 0: SYSCLK derived from the Internal Oscillator, and scales per the IFCN bits in register OSCICN.  
 1: SYSCLK derived from the External Oscillator circuit.

**Table 12.1. Internal Oscillator Electrical Characteristics**

$V_{DD} = 2.7$  to  $3.6$  V;  $-40$  to  $+85$  °C unless otherwise specified.

Parameter	Conditions	Min	Typ	Max	Units
Internal Oscillator Frequency		24	24.5	25	MHz
Internal Oscillator Supply Current (from $V_{DD}$ )	OSCICN.7 = 1	—	450	1000	$\mu$ A

## 12.2. External Oscillator Drive Circuit

The external oscillator circuit may drive an external crystal, ceramic resonator, capacitor, or RC network. A CMOS clock may also provide a clock input. For a crystal or ceramic resonator configuration, the crystal/resonator must be wired across the XTAL1 and XTAL2 pins as shown in Option 1 of Figure 12.1. A 10 M $\Omega$  resistor also must be wired across the XTAL2 and XTAL1 pins for the crystal/resonator configuration. In RC, capacitor, or CMOS clock configuration, the clock source should be wired to the XTAL2 pin as shown in Option 2, 3, or 4 of Figure 12.1. The type of external oscillator must be selected in the OSCXCN register, and the frequency control bits (XFCN) must be selected appropriately (see SFR Definition 12.4).

**Important Note on External Oscillator Usage:** Port pins must be configured when using the external oscillator circuit. When the external oscillator drive circuit is enabled in crystal/resonator mode, Port pins P0.2 and P0.3 are used as XTAL1 and XTAL2 respectively. When the external oscillator drive circuit is enabled in capacitor, RC, or CMOS clock mode, Port pin P0.3 is used as XTAL2. The Port I/O Crossbar should be configured to skip the Port pins used by the oscillator circuit; see [Section “13.1. Priority Crossbar Decoder” on page 131](#) for Crossbar configuration. Additionally, when using the external oscillator circuit in crystal/resonator, capacitor, or RC mode, the associated Port pins should be configured as **analog inputs**. In CMOS clock mode, the associated pin should be configured as a **digital input**. See [Section “13.2. Port I/O Initialization” on page 133](#) for details on Port input mode selection.

## 12.3. System Clock Selection

The CLKSL0 bit in register CLKSEL selects which oscillator is used as the system clock. CLKSL0 must be set to ‘1’ for the system clock to run from the external oscillator; however the external oscillator may still clock certain peripherals (timers, PCA) when the internal oscillator is selected as the system clock. The system clock may be switched on-the-fly between the internal and external oscillator, so long as the selected oscillator is enabled and has settled. The internal oscillator requires little start-up time and may be selected as the system clock immediately following the OSCICN write that enables the internal oscillator. External crystals and ceramic resonators typically require a start-up time before they are settled and ready for use as the system clock. The Crystal Valid Flag (XTLVLD in register OSCXCN) is set to ‘1’ by hardware when the external oscillator is settled. **To avoid reading a false XTLVLD, in crystal mode software should delay at least 1 ms between enabling the external oscillator and checking XTLVLD.** RC and C modes typically require no startup time.

## SFR Definition 12.4. OSCXCN: External Oscillator Control

R	R/W	R/W	R/W	R	R/W	R/W	R/W	Reset Value
XTLVLD	XOSCMD2	XOSCMD1	XOSCMD0		XFCN2	XFCN1	XFCN0	00000000
Bit7	Bit6	Bit5	Bit4	Bit3	Bit2	Bit1	Bit0	SFR Address: 0xB1

- Bit7: XTLVLD: Crystal Oscillator Valid Flag.  
(Read only when XOSCMD = 11x.)  
0: Crystal Oscillator is unused or not yet stable.  
1: Crystal Oscillator is running and stable.
- Bits6–4: XOSCMD2-0: External Oscillator Mode Bits.  
00x: External Oscillator circuit off.  
010: External CMOS Clock Mode.  
011: External CMOS Clock Mode with divide by 2 stage.  
100: RC Oscillator Mode.  
101: Capacitor Oscillator Mode.  
110: Crystal Oscillator Mode.  
111: Crystal Oscillator Mode with divide by 2 stage.
- Bit3: RESERVED. Read = 0, Write = don't care.
- Bits2–0: XFCN2-0: External Oscillator Frequency Control Bits.  
000-111: See table below:

XFCN	Crystal (XOSCMD = 11x)	RC (XOSCMD = 10x)	C (XOSCMD = 10x)
000	$f \leq 32 \text{ kHz}$	$f \leq 25 \text{ kHz}$	K Factor = 0.87
001	$32 \text{ kHz} < f \leq 84 \text{ kHz}$	$25 \text{ kHz} < f \leq 50 \text{ kHz}$	K Factor = 2.6
010	$84 \text{ kHz} < f \leq 225 \text{ kHz}$	$50 \text{ kHz} < f \leq 100 \text{ kHz}$	K Factor = 7.7
011	$225 \text{ kHz} < f \leq 590 \text{ kHz}$	$100 \text{ kHz} < f \leq 200 \text{ kHz}$	K Factor = 22
100	$590 \text{ kHz} < f \leq 1.5 \text{ MHz}$	$200 \text{ kHz} < f \leq 400 \text{ kHz}$	K Factor = 65
101	$1.5 \text{ MHz} < f \leq 4 \text{ MHz}$	$400 \text{ kHz} < f \leq 800 \text{ kHz}$	K Factor = 180
110	$4 \text{ MHz} < f \leq 10 \text{ MHz}$	$800 \text{ kHz} < f \leq 1.6 \text{ MHz}$	K Factor = 664
111	$10 \text{ MHz} < f \leq 30 \text{ MHz}$	$1.6 \text{ MHz} < f \leq 3.2 \text{ MHz}$	K Factor = 1590

**CRYSTAL MODE** (Circuit from Figure 12.1, Option 1; XOSCMD = 11x)  
Choose XFCN value to match crystal frequency.

**RC MODE** (Circuit from Figure 12.1, Option 2; XOSCMD = 10x)  
Choose XFCN value to match frequency range:  
 $f = 1.23(10^3) / (R \times C)$ , where  
f = frequency of clock in MHz  
C = capacitor value in pF  
R = Pullup resistor value in kΩ

**C MODE** (Circuit from Figure 12.1, Option 3; XOSCMD = 10x)  
Choose K Factor (KF) for the oscillation frequency desired:  
 $f = KF / (C \times V_{DD})$ , where  
f = frequency of clock in MHz  
C = capacitor value the XTAL2 pin in pF  
 $V_{DD}$  = Power Supply on MCU in volts

# C8051F310/1/2/3/4/5/6/7

## 12.4. External Crystal Example

If a crystal or ceramic resonator is used as an external oscillator source for the MCU, the circuit should be configured as shown in Figure 12.1, Option 1. The External Oscillator Frequency Control value (XFCN) should be chosen from the Crystal column of the table in SFR Definition 12.4. For example, an 11.0592 MHz crystal requires an XFCN setting of 111b.

When the crystal oscillator is first enabled, the oscillator amplitude detection circuit requires a settling time to achieve proper bias. Introducing a delay of 1 ms between enabling the oscillator and checking the XTLVLD bit will prevent a premature switch to the external oscillator as the system clock. Switching to the external oscillator before the crystal oscillator has stabilized can result in unpredictable behavior. The recommended procedure is:

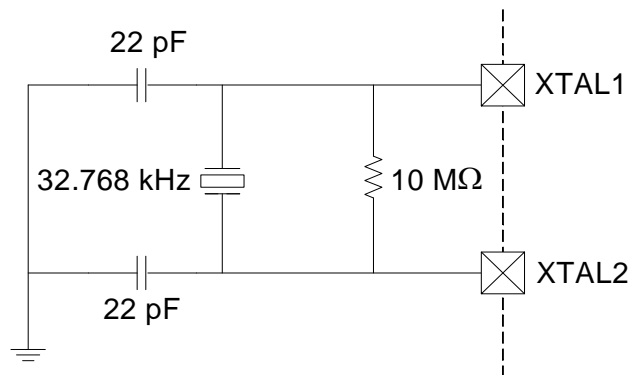
- Step 1. Force the XTAL1 and XTAL2 pins low by writing 0s to the port latch.
- Step 2. Configure XTAL1 and XTAL2 as analog inputs.
- Step 3. Enable the external oscillator.
- Step 4. Wait at least 1 ms.
- Step 5. Poll for XTLVLD => '1'.
- Step 6. Switch the system clock to the external oscillator.

**Note:** Tuning-fork crystals may require additional settling time before XTLVLD returns a valid result.

The capacitors shown in the external crystal configuration provide the load capacitance required by the crystal for correct oscillation. These capacitors are "in series" as seen by the crystal and "in parallel" with the stray capacitance of the XTAL1 and XTAL2 pins.

**Note:** The load capacitance depends upon the crystal and the manufacturer. Please refer to the crystal data sheet when completing these calculations.

For example, a tuning-fork crystal of 32.768 kHz with a recommended load capacitance of 12.5 pF should use the configuration shown in Figure 12.1, Option 1. The total value of the capacitors and the stray capacitance of the XTAL pins should equal 25 pF. With a stray capacitance of 3 pF per pin, the 22 pF capacitors yield an equivalent capacitance of 12.5 pF across the crystal, as shown in Figure 12.2.



**Figure 12.2. 32.768 kHz External Crystal Example**

**Important Note on External Crystals:** Crystal oscillator circuits are quite sensitive to PCB layout. The crystal should be placed as close as possible to the XTAL pins on the device. The traces should be as short as possible and shielded with ground plane from any other traces which could introduce noise or interference.

---

## 12.5. External RC Example

If an RC network is used as an external oscillator source for the MCU, the circuit should be configured as shown in Figure 12.1, Option 2. The capacitor should be no greater than 100 pF; however, for very small capacitors, the total capacitance may be dominated by parasitic capacitance in the PCB layout. To determine the required External Oscillator Frequency Control value (XFCN) in the OSCXCN Register, first select the RC network value to produce the desired frequency of oscillation. If the frequency desired is 100 kHz, let  $R = 246 \text{ k}\Omega$  and  $C = 50 \text{ pF}$ :

$$f = 1.23(10^3) / RC = 1.23(10^3) / [246 \times 50] = 0.1 \text{ MHz} = 100 \text{ kHz}$$

Referring to the table in SFR Definition 12.4, the required XFCN setting is 010b.

## 12.6. External Capacitor Example

If a capacitor is used as an external oscillator for the MCU, the circuit should be configured as shown in Figure 12.1, Option 3. The capacitor should be no greater than 100 pF; however for very small capacitors, the total capacitance may be dominated by parasitic capacitance in the PCB layout. To determine the required External Oscillator Frequency Control value (XFCN) in the OSCXCN Register, select the capacitor to be used and find the frequency of oscillation from the equations below. Assume  $V_{DD} = 3.0 \text{ V}$  and  $C = 50 \text{ pF}$ :

$$f = KF / (C \times V_{DD}) = KF / (50 \times 3) \text{ MHz}$$

$$f = KF / 150 \text{ MHz}$$

If a frequency of roughly 150 kHz is desired, select the K Factor from the table in SFR Definition 12.4 as  $KF = 22$ :

$$f = 22 / 150 = 0.146 \text{ MHz, or } 146 \text{ kHz}$$

Therefore, the XFCN value to use in this example is 011b.

# C8051F310/1/2/3/4/5/6/7

---

**NOTES:**



## 13. Port Input/Output

Digital and analog resources are available through 29 I/O pins (C8051F310/2/4), or 25 I/O pins (C8051F311/3/5), or 21 I/O pins (C8051F316/7). Port pins are organized as three byte-wide Ports and one 5-bit-wide (C8051F310/2/4) or 1-bit-wide (C8051F311/3/5) Port. In the C8051F316/7, the port pins are organized as one byte-wide Port, two 6-bit-wide Ports and one 1-bit-wide Port. Each of the Port pins can be defined as general-purpose I/O (GPIO) or analog input; Port pins P0.0-P2.3 can be assigned to one of the internal digital resources as shown in Figure 13.3. The designer has complete control over which functions are assigned, limited only by the number of physical I/O pins. This resource assignment flexibility is achieved through the use of a Priority Crossbar Decoder. The state of a Port I/O pin can always be read in the corresponding Port latch, regardless of the Crossbar settings.

The Crossbar assigns the selected internal digital resources to the I/O pins based on the Priority Decoder (Figure 13.3 and Figure 13.4). The registers XBR0 and XBR1, defined in SFR Definition 13.1 and SFR Definition 13.2, are used to select internal digital functions.

All Port I/Os are 5 V tolerant (refer to Figure 13.2 for the Port cell circuit). The Port I/O cells are configured as either push-pull or open-drain in the Port Output Mode registers (PnMDOOUT, where n = 0,1,2,3). Complete Electrical Specifications for Port I/O are given in Table 13.1 on page 143.

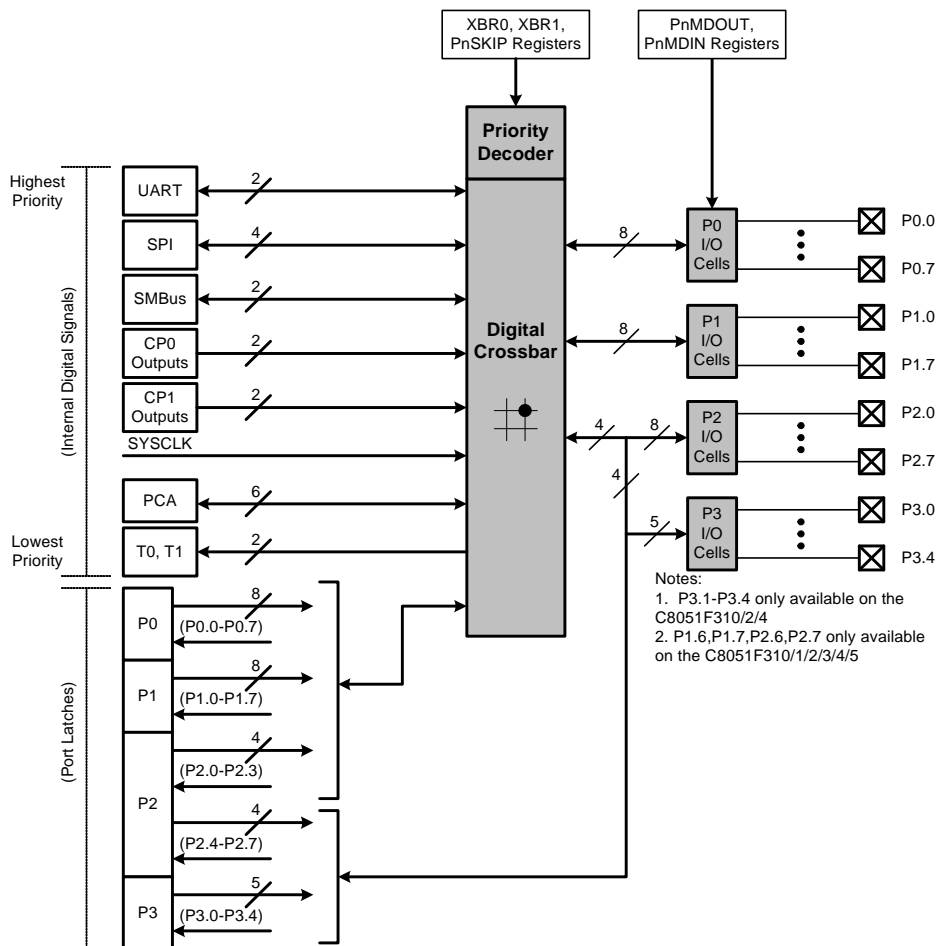
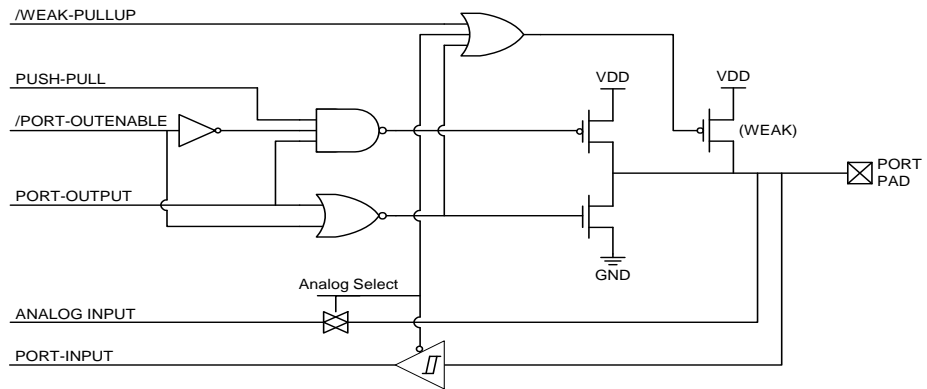


Figure 13.1. Port I/O Functional Block Diagram

# C8051F310/1/2/3/4/5/6/7



**Figure 13.2. Port I/O Cell Block Diagram**





---

## 13.2. Port I/O Initialization

Port I/O initialization consists of the following steps:

- Step 1. Select the input mode (analog or digital) for all Port pins, using the Port Input Mode register (PnMDIN).
- Step 2. Select the output mode (open-drain or push-pull) for all Port pins, using the Port Output Mode register (PnMDOUT).
- Step 3. Select any pins to be skipped by the I/O Crossbar using the Port Skip registers (PnSKIP).
- Step 4. Assign Port pins to desired peripherals.
- Step 5. Enable the Crossbar (XBARE = '1').

All Port pins must be configured as either analog or digital inputs. Any pins to be used as Comparator or ADC inputs should be configured as an analog inputs. When a pin is configured as an analog input, its weak pullup, digital driver, and digital receiver are disabled. This process saves power and reduces noise on the analog input. Pins configured as digital inputs may still be used by analog peripherals; however this practice is not recommended.

Additionally, all analog input pins should be configured to be skipped by the Crossbar (accomplished by setting the associated bits in PnSKIP). Port input mode is set in the PnMDIN register, where a '1' indicates a digital input, and a '0' indicates an analog input. All pins default to digital inputs on reset. See SFR Definition 13.4 for the PnMDIN register details.

The output driver characteristics of the I/O pins are defined using the Port Output Mode registers (PnMDOUT). Each Port Output driver can be configured as either open drain or push-pull. This selection is required even for the digital resources selected in the XBRn registers, and is not automatic. The only exception to this is the SMBus (SDA, SCL) pins, which are configured as open-drain regardless of the PnMDOUT settings. When the WEAKPUD bit in XBR1 is '0', a weak pullup is enabled for all Port I/O configured as open-drain. WEAKPUD does not affect the push-pull Port I/O. Furthermore, the weak pullup is turned off on an output that is driving a '0' to avoid unnecessary power dissipation.

Registers XBR0 and XBR1 must be loaded with the appropriate values to select the digital I/O functions required by the design. Setting the XBARE bit in XBR1 to '1' enables the Crossbar. Until the Crossbar is enabled, the external pins remain as standard Port I/O (in input mode), regardless of the XBRn Register settings. For given XBRn Register settings, one can determine the I/O pin-out using the Priority Decode Table; as an alternative, the Configuration Wizard utility of the Silicon Labs IDE software will determine the Port I/O pin-assignments based on the XBRn Register settings.

**The Crossbar must be enabled to use Port pins as standard Port I/O in output mode. Port output drivers are disabled while the Crossbar is disabled.**

# C8051F310/1/2/3/4/5/6/7

## SFR Definition 13.1. XBR0: Port I/O Crossbar Register 0

R/W	R/W	R/W	R/W	R/W	R/W	R/W	R/W	Reset Value
CP1AE	CP1E	CP0AE	CP0E	SYSCKE	SMB0E	SPI0E	URT0E	00000000
Bit7	Bit6	Bit5	Bit4	Bit3	Bit2	Bit1	Bit0	SFR Address: 0xE1
Bit7:	CP1AE: Comparator1 Asynchronous Output Enable 0: Asynchronous CP1 unavailable at Port pin. 1: Asynchronous CP1 routed to Port pin.							
Bit6:	CP1E: Comparator1 Output Enable 0: CP1 unavailable at Port pin. 1: CP1 routed to Port pin.							
Bit5:	CP0AE: Comparator0 Asynchronous Output Enable 0: Asynchronous CP0 unavailable at Port pin. 1: Asynchronous CP0 routed to Port pin.							
Bit4:	CP0E: Comparator0 Output Enable 0: CP0 unavailable at Port pin. 1: CP0 routed to Port pin.							
Bit3:	SYSCKE: /SYSCLK Output Enable 0: /SYSCLK unavailable at Port pin. 1: /SYSCLK output routed to Port pin.							
Bit2:	SMB0E: SMBus I/O Enable 0: SMBus I/O unavailable at Port pins. 1: SMBus I/O routed to Port pins.							
Bit1:	SPI0E: SPI I/O Enable 0: SPI I/O unavailable at Port pins. 1: SPI I/O routed to Port pins.							
Bit0:	URT0E: UART I/O Output Enable 0: UART I/O unavailable at Port pin. 1: UART TX0, RX0 routed to Port pins P0.4 and P0.5.							

## SFR Definition 13.2. XBR1: Port I/O Crossbar Register 1

R/W	R/W	R/W	R/W	R/W	R/W	R/W	R/W	Reset Value
WEAKPUD	XBARE	T1E	T0E	ECIE	PCA0ME			00000000
Bit7	Bit6	Bit5	Bit4	Bit3	Bit2	Bit1	Bit0	SFR Address: 0xE2
<p>Bit7: WEAKPUD: Port I/O Weak Pullup Disable. 0: Weak Pullups enabled (except for Ports whose I/O are configured as analog input). 1: Weak Pullups disabled.</p> <p>Bit6: XBARE: Crossbar Enable. 0: Crossbar disabled. 1: Crossbar enabled.</p> <p>Bit5: T1E: T1 Enable 0: T1 unavailable at Port pin. 1: T1 routed to Port pin.</p> <p>Bit4: T0E: T0 Enable 0: T0 unavailable at Port pin. 1: T0 routed to Port pin.</p> <p>Bit3: ECIE: PCA0 External Counter Input Enable 0: ECI unavailable at Port pin. 1: ECI routed to Port pin.</p> <p>Bits2–0: PCA0ME: PCA Module I/O Enable Bits. 000: All PCA I/O unavailable at Port pins. 001: CEX0 routed to Port pin. 010: CEX0, CEX1 routed to Port pins. 011: CEX0, CEX1, CEX2 routed to Port pins. 100: CEX0, CEX1, CEX2, CEX3 routed to Port pins. 101: CEX0, CEX1, CEX2, CEX3, CEX4 routed to Port pins.</p>								

### 13.3. General Purpose Port I/O

Port pins that remain unassigned by the Crossbar and are not used by analog peripherals can be used for general purpose I/O. Ports3-0 are accessed through corresponding special function registers (SFRs) that are both byte addressable and bit addressable. When writing to a Port, the value written to the SFR is latched to maintain the output data value at each pin. When reading, the logic levels of the Port's input pins are returned regardless of the XBRn settings (i.e., even when the pin is assigned to another signal by the Crossbar, the Port register can always read its corresponding Port I/O pin). The exception to this is the execution of the read-modify-write instructions. The read-modify-write instructions when operating on a Port SFR are the following: ANL, ORL, XRL, JBC, CPL, INC, DEC, DJNZ and MOV, CLR or SET, when the destination is an individual bit in a Port SFR. For these instructions, the value of the register (not the pin) is read, modified, and written back to the SFR.

# C8051F310/1/2/3/4/5/6/7

## SFR Definition 13.3. P0: Port0

R/W	R/W	R/W	R/W	R/W	R/W	R/W	R/W	Reset Value
P0.7	P0.6	P0.5	P0.4	P0.3	P0.2	P0.1	P0.0	11111111
Bit7	Bit6	Bit5	Bit4	Bit3	Bit2	Bit1	Bit0	SFR Address: (bit addressable) 0x80

Bits7–0: P0.[7:0]  
 Write - Output appears on I/O pins per Crossbar Registers.  
 0: Logic Low Output.  
 1: Logic High Output (high impedance if corresponding P0MDOUT.n bit = 0).  
 Read - Always reads '1' if selected as analog input in register P0MDIN. Directly reads Port pin when configured as digital input.  
 0: P0.n pin is logic low.  
 1: P0.n pin is logic high.

## SFR Definition 13.4. P0MDIN: Port0 Input Mode

R/W	R/W	R/W	R/W	R/W	R/W	R/W	R/W	Reset Value
								11111111
Bit7	Bit6	Bit5	Bit4	Bit3	Bit2	Bit1	Bit0	SFR Address: 0xF1

Bits7–0: Analog Input Configuration Bits for P0.7–P0.0 (respectively).  
 Port pins configured as analog inputs have their weak pullup, digital driver, and digital receiver disabled.  
 0: Corresponding P0.n pin is configured as an analog input.  
 1: Corresponding P0.n pin is not configured as an analog input.



## SFR Definition 13.5. P0MDOUT: Port0 Output Mode

R/W	R/W	R/W	R/W	R/W	R/W	R/W	R/W	Reset Value
								00000000
Bit7	Bit6	Bit5	Bit4	Bit3	Bit2	Bit1	Bit0	SFR Address: 0xA4

Bits7–0: Output Configuration Bits for P0.7–P0.0 (respectively): ignored if corresponding bit in register P0MDIN is logic 0.  
 0: Corresponding P0.n Output is open-drain.  
 1: Corresponding P0.n Output is push-pull.

**Note:** When SDA and SCL appear on any of the Port I/O, each are open-drain regardless of the value of P0MDOUT.

## SFR Definition 13.6. P0SKIP: Port0 Skip

R/W	R/W	R/W	R/W	R/W	R/W	R/W	R/W	Reset Value
								00000000
Bit7	Bit6	Bit5	Bit4	Bit3	Bit2	Bit1	Bit0	SFR Address: 0xD4

Bits7–0: P0SKIP[7:0]: Port0 Crossbar Skip Enable Bits.  
 These bits select Port pins to be skipped by the Crossbar Decoder. Port pins used as analog inputs (for ADC or Comparator) or used as special functions (VREF input, external oscillator circuit, CNVSTR input) should be skipped by the Crossbar.  
 0: Corresponding P0.n pin is not skipped by the Crossbar.  
 1: Corresponding P0.n pin is skipped by the Crossbar.

# C8051F310/1/2/3/4/5/6/7

## SFR Definition 13.7. P1: Port1

R/W	R/W	R/W	R/W	R/W	R/W	R/W	R/W	Reset Value
P1.7	P1.6	P1.5	P1.4	P1.3	P1.2	P1.1	P1.0	11111111
Bit7	Bit6	Bit5	Bit4	Bit3	Bit2	Bit1	Bit0	SFR Address: (bit addressable) 0x90

Bits7–0: P1.[7:0]  
 Write - Output appears on I/O pins per Crossbar Registers.  
 0: Logic Low Output.  
 1: Logic High Output (high impedance if corresponding P1MDOUT.n bit = 0).  
 Read - Always reads '1' if selected as analog input in register P1MDIN. Directly reads Port pin when configured as digital input.  
 0: P1.n pin is logic low.  
 1: P1.n pin is logic high.

**Note:** Only P1.0–P1.5 are associated with Port pins on the C8051F316/7 devices.

## SFR Definition 13.8. P1MDIN: Port1 Input Mode

R/W	R/W	R/W	R/W	R/W	R/W	R/W	R/W	Reset Value
								11111111
Bit7	Bit6	Bit5	Bit4	Bit3	Bit2	Bit1	Bit0	SFR Address: 0xF2

Bits7–0: Analog Input Configuration Bits for P1.7-P1.0 (respectively).  
 Port pins configured as analog inputs have their weak pullup, digital driver, and digital receiver disabled.  
 0: Corresponding P1.n pin is configured as an analog input.  
 1: Corresponding P1.n pin is not configured as an analog input.

**Note:** Only P1.0–P1.5 are associated with Port pins on the C8051F316/7 devices.

## SFR Definition 13.9. P1MDOUT: Port1 Output Mode

R/W	R/W	R/W	R/W	R/W	R/W	R/W	R/W	Reset Value
								00000000
Bit7	Bit6	Bit5	Bit4	Bit3	Bit2	Bit1	Bit0	SFR Address: 0xA5

Bits7–0: Output Configuration Bits for P1.7-P1.0 (respectively): ignored if corresponding bit in register P1MDIN is logic 0.  
 0: Corresponding P1.n Output is open-drain.  
 1: Corresponding P1.n Output is push-pull.

**Note:** Only P1.0–P1.5 are associated with Port pins on the C8051F316/7 devices.

## SFR Definition 13.10. P1SKIP: Port1 Skip

R/W	R/W	R/W	R/W	R/W	R/W	R/W	R/W	Reset Value
								'F310/1/2/3/4/5: 00000000
Bit7	Bit6	Bit5	Bit4	Bit3	Bit2	Bit1	Bit0	'F316/7: 11000000
								SFR Address: 0xD5

Bits7–0: P1SKIP[7:0]: Port1 Crossbar Skip Enable Bits.  
 These bits select Port pins to be skipped by the Crossbar Decoder. Port pins used as analog inputs (for ADC or Comparator) or used as special functions (VREF input, external oscillator circuit, CNVSTR input) should be skipped by the Crossbar.  
 0: Corresponding P1.n pin is not skipped by the Crossbar.  
 1: Corresponding P1.n pin is skipped by the Crossbar.

**Note:** Only P1.0–P1.5 are associated with Port pins on the C8051F316/7 devices. Hence, in C8051F316/7 devices, user code writing to this SFR should always set P1SKIP[7:6] = 11b so that those two pins are skipped by the crossbar decoder.

# C8051F310/1/2/3/4/5/6/7

## SFR Definition 13.11. P2: Port2

R/W	R/W	R/W	R/W	R/W	R/W	R/W	R/W	Reset Value
P2.7	P2.6	P2.5	P2.4	P2.3	P2.2	P2.1	P2.0	11111111
Bit7	Bit6	Bit5	Bit4	Bit3	Bit2	Bit1	Bit0	SFR Address: (bit addressable) 0xA0

Bits7–0: P2.[7:0]  
 Write - Output appears on I/O pins per Crossbar Registers.  
 0: Logic Low Output.  
 1: Logic High Output (high impedance if corresponding P2MDOUT.n bit = 0).  
 Read - Always reads '1' if selected as analog input in register P2MDIN. Directly reads Port pin when configured as digital input.  
 0: P2.n pin is logic low.  
 1: P2.n pin is logic high.

**Note:** Only P2.0–P2.5 are associated with Port pins on the C8051F316/7 devices.

## SFR Definition 13.12. P2MDIN: Port2 Input Mode

R/W	R/W	R/W	R/W	R/W	R/W	R/W	R/W	Reset Value
								11111111
Bit7	Bit6	Bit5	Bit4	Bit3	Bit2	Bit1	Bit0	SFR Address: 0xF3

Bits7–0: Analog Input Configuration Bits for P2.7–P2.0 (respectively).  
 Port pins configured as analog inputs have their weak pullup, digital driver, and digital receiver disabled.  
 0: Corresponding P2.n pin is configured as an analog input.  
 1: Corresponding P2.n pin is not configured as an analog input.

**Note:** Only P2.0–P2.5 are associated with Port pins on the C8051F316/7 devices.

## SFR Definition 13.13. P2MDOUT: Port2 Output Mode

R/W	R/W	R/W	R/W	R/W	R/W	R/W	R/W	Reset Value
								00000000
Bit7	Bit6	Bit5	Bit4	Bit3	Bit2	Bit1	Bit0	SFR Address: 0xA6

Bits7–0: Output Configuration Bits for P2.7–P2.0 (respectively): ignored if corresponding bit in register P2MDIN is logic 0.  
 0: Corresponding P2.n Output is open-drain.  
 1: Corresponding P2.n Output is push-pull.

**Note:** Only P2.0–P2.5 are associated with Port pins on the C8051F316/7 devices.

## SFR Definition 13.14. P2SKIP: Port2 Skip

R/W	R/W	R/W	R/W	R/W	R/W	R/W	R/W	Reset Value
-	-	-	-					00000000
Bit7	Bit6	Bit5	Bit4	Bit3	Bit2	Bit1	Bit0	SFR Address: 0xD6

Bits7–0: P2SKIP[7:0]: Port2 Crossbar Skip Enable Bits.  
 These bits select Port pins to be skipped by the Crossbar Decoder. Port pins used as analog inputs (for ADC or Comparator) or used as special functions (VREF input, external oscillator circuit, CNVSTR input) should be skipped by the Crossbar.  
 0: Corresponding P2.n pin is not skipped by the Crossbar.  
 1: Corresponding P2.n pin is skipped by the Crossbar.

**Note:** Only P2.0–P2.3 are associated with the Crossbar.

# C8051F310/1/2/3/4/5/6/7

## SFR Definition 13.15. P3: Port3

R/W	R/W	R/W	R/W	R/W	R/W	R/W	R/W	Reset Value
P3.7	P3.6	P3.5	P3.4	P3.3	P3.2	P3.1	P3.0	11111111
Bit7	Bit6	Bit5	Bit4	Bit3	Bit2	Bit1	Bit0	SFR Address: (bit addressable) 0xB0

Bits7–0: P3.[7:0]  
 Write - Output appears on I/O pins.  
 0: Logic Low Output.  
 1: Logic High Output (high impedance if corresponding P3MDOUT.n bit = 0).  
 Read - Always reads '1' if selected as analog input in register P3MDIN. Directly reads Port pin when configured as digital input.  
 0: P3.n pin is logic low.  
 1: P3.n pin is logic high.

**Note:** Only P3.0–P3.4 are associated with Port pins on C8051F310/2/4 devices; Only P3.0 is associated with a Port pin on C8051F311/3/5/6/7 devices.

## SFR Definition 13.16. P3MDIN: Port3 Input Mode

R/W	R/W	R/W	R/W	R/W	R/W	R/W	R/W	Reset Value
-	-	-						11111111
Bit7	Bit6	Bit5	Bit4	Bit3	Bit2	Bit1	Bit0	SFR Address: 0xF4

Bits7–5: UNUSED. Read = 000b; Write = don't care.  
 Bits4–0: Input Configuration Bits for P3.4–P3.0 (respectively).  
 Port pins configured as analog inputs have their weak pullup, digital driver, and digital receiver disabled.  
 0: Corresponding P3.n pin is configured as an analog input.  
 1: Corresponding P3.n pin is not configured as an analog input.

**Note:** Only P3.0–P3.4 are associated with Port pins on C8051F310/2/4 devices; Only P3.0 is associated with a Port pin on C8051F311/3/5/6/7 devices.

## SFR Definition 13.17. P3MDOUT: Port3 Output Mode

R/W	R/W	R/W	R/W	R/W	R/W	R/W	R/W	Reset Value
-	-	-						00000000
Bit7	Bit6	Bit5	Bit4	Bit3	Bit2	Bit1	Bit0	SFR Address: 0xA7

Bits7–5: UNUSED. Read = 000b; Write - don't care.  
 Bits4–0: Output Configuration Bits for P3.4–P3.0 (respectively): ignored if corresponding bit in register P3MDIN is logic 0.  
 0: Corresponding P3.n Output is open-drain.  
 1: Corresponding P3.n Output is push-pull.

**Note:** Only P3.0–P3.4 are associated with Port pins on C8051F310/2/4 devices; Only P3.0 is associated with a Port pin on C8051F311/3/5/6/7 devices.

**Table 13.1. Port I/O DC Electrical Characteristics**

$V_{DD} = 2.7$  to  $3.6$  V,  $-40$  to  $+85$  °C unless otherwise specified

Parameters	Conditions	Min	Typ	Max	Units
Output High Voltage	$I_{OH} = -3$ mA, Port I/O push-pull	$V_{DD} - 0.7$	—	—	V
	$I_{OH} = -10$ $\mu$ A, Port I/O push-pull	$V_{DD} - 0.1$	—	—	
	$I_{OH} = -10$ mA, Port I/O push-pull	—	$V_{DD} - 0.8$	—	
Output Low Voltage	$I_{OL} = 8.5$ mA	—	—	0.6	V
	$I_{OL} = 10$ $\mu$ A	—	—	0.1	
	$I_{OL} = 25$ mA	—	1.0	—	
Input High Voltage		2.0	—	—	V
Input Low Voltage		—	—	0.8	V
Input Leakage Current	Weak Pullup Off	—	—	$\pm 1$	$\mu$ A
	Weak Pullup On, $V_{IN} = 0$ V	—	25	40	

# C8051F310/1/2/3/4/5/6/7

---

NOTES:



## 14. SMBus

The SMBus I/O interface is a two-wire, bi-directional serial bus. The SMBus is compliant with the System Management Bus Specification, version 1.1, and compatible with the I2C serial bus. Reads and writes to the interface by the system controller are byte oriented with the SMBus interface autonomously controlling the serial transfer of the data. Data can be transferred at up to 1/10th of the system clock as a master or slave (this can be faster than allowed by the SMBus specification, depending on the system clock used). A method of extending the clock-low duration is available to accommodate devices with different speed capabilities on the same bus.

The SMBus interface may operate as a master and/or slave, and may function on a bus with multiple masters. The SMBus provides control of SDA (serial data), SCL (serial clock) generation and synchronization, arbitration logic, and START/STOP control and generation. Three SFRs are associated with the SMBus: SMB0CF configures the SMBus; SMB0CN controls the status of the SMBus; and SMB0DAT is the data register, used for both transmitting and receiving SMBus data and slave addresses.

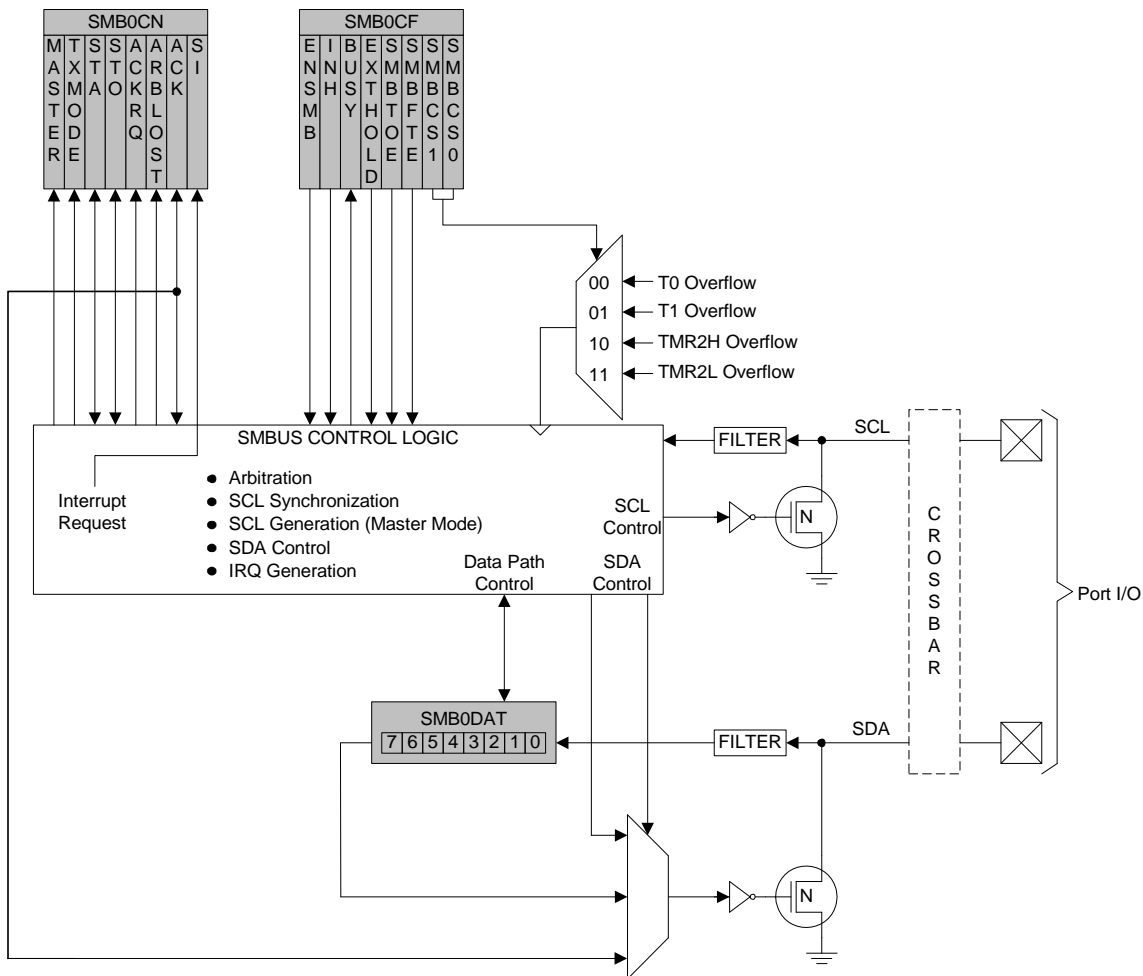


Figure 14.1. SMBus Block Diagram

# C8051F310/1/2/3/4/5/6/7

## 14.1. Supporting Documents

It is assumed the reader is familiar with or has access to the following supporting documents:

- The I2C-Bus and How to Use It (including specifications), Philips Semiconductor.
- The I2C-Bus Specification—Version 2.0, Philips Semiconductor.
- System Management Bus Specification—Version 1.1, SBS Implementers Forum.

## 14.2. SMBus Configuration

Figure 14.2 shows a typical SMBus configuration. The SMBus specification allows any recessive voltage between 3.0 V and 5.0 V; different devices on the bus may operate at different voltage levels. The bi-directional SCL (serial clock) and SDA (serial data) lines must be connected to a positive power supply voltage through a pullup resistor or similar circuit. Every device connected to the bus must have an open-drain or open-collector output for both the SCL and SDA lines, so that both are pulled high (recessive state) when the bus is free. The maximum number of devices on the bus is limited only by the requirement that the rise and fall times on the bus not exceed 300 ns and 1000 ns, respectively.

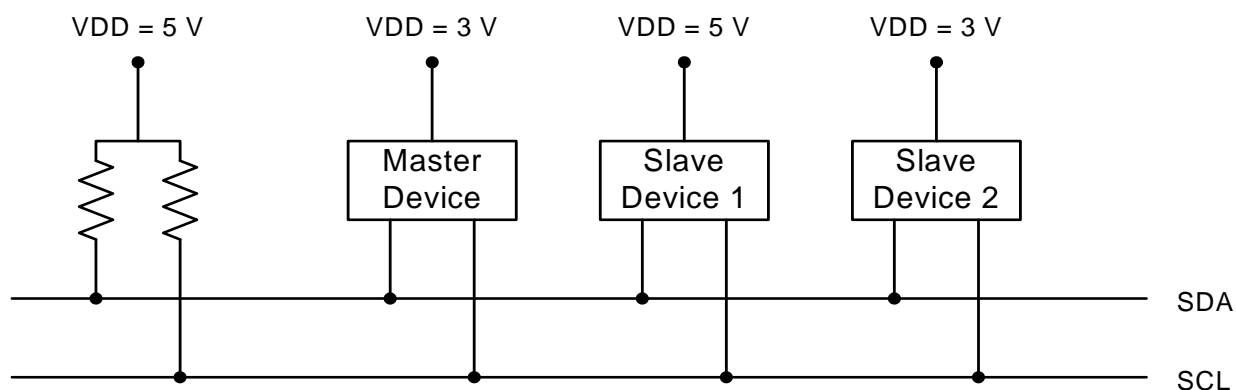


Figure 14.2. Typical SMBus Configuration

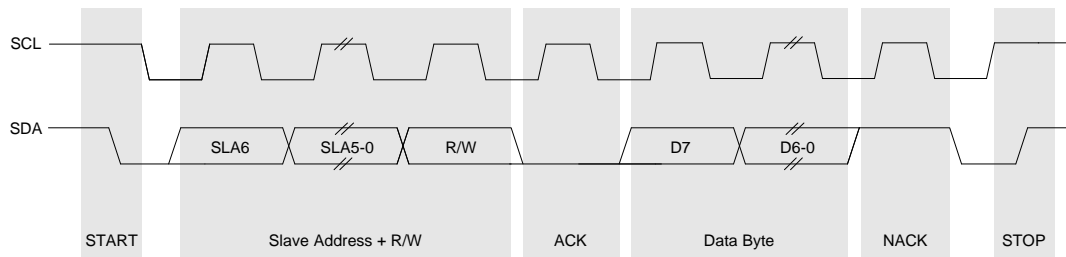
## 14.3. SMBus Operation

Two types of data transfers are possible: data transfers from a master transmitter to an addressed slave receiver (WRITE), and data transfers from an addressed slave transmitter to a master receiver (READ). The master device initiates both types of data transfers and provides the serial clock pulses on SCL. The SMBus interface may operate as a master or a slave, and multiple master devices on the same bus are supported. If two or more masters attempt to initiate a data transfer simultaneously, an arbitration scheme is employed with a single master always winning the arbitration. Note that it is not necessary to specify one device as the Master in a system; any device who transmits a START and a slave address becomes the master for the duration of that transfer.

A typical SMBus transaction consists of a START condition followed by an address byte (Bits7–1: 7-bit slave address; Bit0: R/W direction bit), one or more bytes of data, and a STOP condition. Each byte that is received (by a master or slave) must be acknowledged (ACK) with a low SDA during a high SCL (see Figure 14.3). If the receiving device does not ACK, the transmitting device will read a NACK (not acknowledge), which is a high SDA during a high SCL.

The direction bit (R/W) occupies the least-significant bit position of the address byte. The direction bit is set to logic 1 to indicate a "READ" operation and cleared to logic 0 to indicate a "WRITE" operation.

All transactions are initiated by a master, with one or more addressed slave devices as the target. The master generates the START condition and then transmits the slave address and direction bit. If the transaction is a WRITE operation from the master to the slave, the master transmits the data a byte at a time waiting for an ACK from the slave at the end of each byte. For READ operations, the slave transmits the data waiting for an ACK from the master at the end of each byte. At the end of the data transfer, the master generates a STOP condition to terminate the transaction and free the bus. Figure 14.3 illustrates a typical SMBus transaction.



**Figure 14.3. SMBus Transaction**

### 14.3.1. Arbitration

A master may start a transfer only if the bus is free. The bus is free after a STOP condition or after the SCL and SDA lines remain high for a specified time (see [Section "14.3.4. SCL High \(SMBus Free\) Timeout" on page 148](#)). In the event that two or more devices attempt to begin a transfer at the same time, an arbitration scheme is employed to force one master to give up the bus. The master devices continue transmitting until one attempts a HIGH while the other transmits a LOW. Since the bus is open-drain, the bus will be pulled LOW. The master attempting the HIGH will detect a LOW SDA and lose the arbitration. The winning master continues its transmission without interruption; the losing master becomes a slave and receives the rest of the transfer if addressed. This arbitration scheme is non-destructive: one device always wins, and no data is lost.

## 14.3.2. Clock Low Extension

SMBus provides a clock synchronization mechanism, similar to I2C, which allows devices with different speed capabilities to coexist on the bus. A clock-low extension is used during a transfer in order to allow slower slave devices to communicate with faster masters. The slave may temporarily hold the SCL line LOW to extend the clock low period, effectively decreasing the serial clock frequency.

## 14.3.3. SCL Low Timeout

If the SCL line is held low by a slave device on the bus, no further communication is possible. Furthermore, the master cannot force the SCL line high to correct the error condition. To solve this problem, the SMBus protocol specifies that devices participating in a transfer must detect any clock cycle held low longer than 25 ms as a “timeout” condition. Devices that have detected the timeout condition must reset the communication no later than 10 ms after detecting the timeout condition.

When the SMBTOE bit in SMB0CF is set, Timer 3 is used to detect SCL low timeouts. Timer 3 is forced to reload when SCL is high, and allowed to count when SCL is low. With Timer 3 enabled and configured to overflow after 25 ms (and SMBTOE set), the Timer 3 interrupt service routine can be used to reset (disable and re-enable) the SMBus in the event of an SCL low timeout.

## 14.3.4. SCL High (SMBus Free) Timeout

The SMBus specification stipulates that if the SCL and SDA lines remain high for more than 50  $\mu$ s, the bus is designated as free. When the SMBFTE bit in SMB0CF is set, the bus will be considered free if SCL and SDA remain high for more than 10 SMBus clock source periods. If the SMBus is waiting to generate a Master START, the START will be generated following this timeout. Note that a clock source is required for free timeout detection, even in a slave-only implementation.

---

## 14.4. Using the SMBus

The SMBus can operate in both Master and Slave modes. The interface provides timing and shifting control for serial transfers; higher level protocol is determined by user software. The SMBus interface provides the following application-independent features:

- Byte-wise serial data transfers
- Clock signal generation on SCL (Master Mode only) and SDA data synchronization
- Timeout/bus error recognition, as defined by the SMB0CF configuration register
- START/STOP timing, detection, and generation
- Bus arbitration
- Interrupt generation
- Status information

SMBus interrupts are generated for each data byte or slave address that is transferred. When transmitting, this interrupt is generated after the ACK cycle so that software may read the received ACK value; when receiving data, this interrupt is generated before the ACK cycle so that software may define the outgoing ACK value. See [Section “14.5. SMBus Transfer Modes” on page 157](#) for more details on transmission sequences.

Interrupts are also generated to indicate the beginning of a transfer when a master (START generated), or the end of a transfer when a slave (STOP detected). Software should read the SMB0CN (SMBus Control register) to find the cause of the SMBus interrupt. The SMB0CN register is described in [Section “14.4.2. SMB0CN Control Register” on page 153](#); Table 14.4 provides a quick SMB0CN decoding reference.

SMBus configuration options include:

- Timeout detection (SCL Low Timeout and/or Bus Free Timeout)
- SDA setup and hold time extensions
- Slave event enable/disable
- Clock source selection

These options are selected in the SMB0CF register, as described in [Section “14.4.1. SMBus Configuration Register” on page 150](#).

# C8051F310/1/2/3/4/5/6/7

## 14.4.1. SMBus Configuration Register

The SMBus Configuration register (SMB0CF) is used to enable the SMBus Master and/or Slave modes, select the SMBus clock source, and select the SMBus timing and timeout options. When the ENSMB bit is set, the SMBus is enabled for all master and slave events. Slave events may be disabled by setting the INH bit. With slave events inhibited, the SMBus interface will still monitor the SCL and SDA pins; however, the interface will NACK all received addresses and will not generate any slave interrupts. When the INH bit is set, all slave events will be inhibited following the next START (interrupts will continue for the duration of the current transfer).

**Table 14.1. SMBus Clock Source Selection**

SMBCS1	SMBCS0	SMBus Clock Source
0	0	Timer 0 Overflow
0	1	Timer 1 Overflow
1	0	Timer 2 High Byte Overflow
1	1	Timer 2 Low Byte Overflow

The SMBCS1-0 bits select the SMBus clock source, which is used only when operating as a master or when the Free Timeout detection is enabled. When operating as a master, overflows from the selected source determine the absolute minimum SCL low and high times as defined in Equation 14.1. Note that the selected clock source may be shared by other peripherals so long as the timer is left running at all times. For example, Timer 1 overflows may generate the SMBus and UART baud rates simultaneously. Timer configuration is covered in [Section “17. Timers” on page 187](#).

### Equation 14.1. Minimum SCL High and Low Times

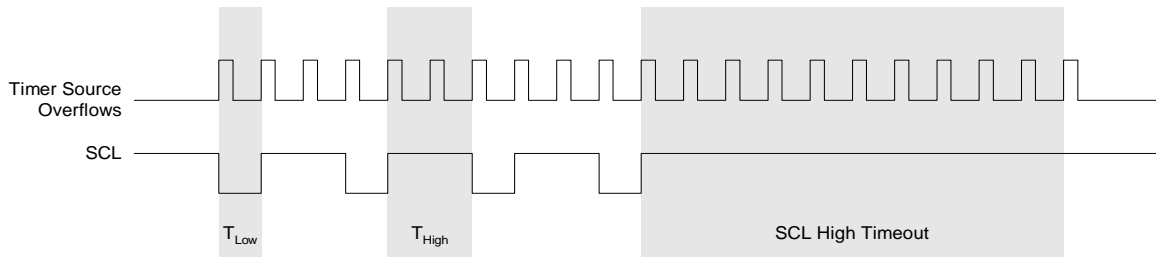
$$T_{HighMin} = T_{LowMin} = \frac{1}{f_{ClockSourceOverflow}}$$

The selected clock source should be configured to establish the minimum SCL High and Low times as per Equation 14.1. When the interface is operating as a master (and SCL is not driven or extended by any other devices on the bus), the typical SMBus bit rate is approximated by Equation 14.2.

### Equation 14.2. Typical SMBus Bit Rate

$$BitRate = \frac{f_{ClockSourceOverflow}}{3}$$

Figure 14.4 shows the typical SCL generation described by Equation 14.2. Notice that  $T_{HIGH}$  is typically twice as large as  $T_{LOW}$ . The actual SCL output may vary due to other devices on the bus (SCL may be extended low by slower slave devices, or driven low by contending master devices). The bit rate when operating as a master will never exceed the limits defined by equation Equation 14.1.



**Figure 14.4. Typical SMBus SCL Generation**

Setting the EXTHOLD bit extends the minimum setup and hold times for the SDA line. The minimum SDA setup time defines the absolute minimum time that SDA is stable before SCL transitions from low-to-high. The minimum SDA hold time defines the absolute minimum time that the current SDA value remains stable after SCL transitions from high-to-low. EXTHOLD should be set so that the minimum setup and hold times meet the SMBus Specification requirements of 250 ns and 300 ns, respectively. Table 14.2 shows the minimum setup and hold times for the two EXTHOLD settings. Setup and hold time extensions are typically necessary when SYSCLK is above 10 MHz.

**Table 14.2. Minimum SDA Setup and Hold Times**

EXTHOLD	Minimum SDA Setup Time	Minimum SDA Hold Time
0	$T_{LOW} - 4$ system clocks OR 1 system clock + s/w delay*	3 system clocks
1	11 system clocks	12 system clocks

**\*Note:** Setup Time for ACK bit transmissions and the MSB of all data transfers. The s/w delay occurs between the time SMB0DAT or ACK is written and when SI is cleared. Note that if SI is cleared in the same write that defines the outgoing ACK value, s/w delay is zero.

With the SMBTOE bit set, Timer 3 should be configured to overflow after 25 ms in order to detect SCL low timeouts (see [Section “14.3.3. SCL Low Timeout” on page 148](#)). The SMBus interface will force Timer 3 to reload while SCL is high, and allow Timer 3 to count when SCL is low. The Timer 3 interrupt service routine should be used to reset SMBus communication by disabling and re-enabling the SMBus.

SMBus Free Timeout detection can be enabled by setting the SMBFTE bit. When this bit is set, the bus will be considered free if SDA and SCL remain high for more than 10 SMBus clock source periods (see Figure 14.4). When a Free Timeout is detected, the interface will respond as if a STOP was detected (an interrupt will be generated, and STO will be set).

# C8051F310/1/2/3/4/5/6/7

## SFR Definition 14.1. SMB0CF: SMBus Clock/Configuration

R/W	R/W	R	R/W	R/W	R/W	R/W	R/W	Reset Value
ENSMB	INH	BUSY	EXTHOLD	SMBTOE	SMBFTE	SMBCS1	SMBCS0	00000000
Bit7	Bit6	Bit5	Bit4	Bit3	Bit2	Bit1	Bit0	

SFR Address: 0xC1

Bit7: **ENSMB: SMBus Enable.**  
 This bit enables/disables the SMBus interface. When enabled, the interface constantly monitors the SDA and SCL pins.  
 0: SMBus interface disabled.  
 1: SMBus interface enabled.

Bit6: **INH: SMBus Slave Inhibit.**  
 When this bit is set to logic 1, the SMBus does not generate an interrupt when slave events occur. This effectively removes the SMBus slave from the bus. Master Mode interrupts are not affected.  
 0: SMBus Slave Mode enabled.  
 1: SMBus Slave Mode inhibited.

Bit5: **BUSY: SMBus Busy Indicator.**  
 This bit is set to logic 1 by hardware when a transfer is in progress. It is cleared to logic 0 when a STOP or free-timeout is sensed.

Bit4: **EXTHOLD: SMBus Setup and Hold Time Extension Enable.**  
 This bit controls the SDA setup and hold times according to Table 14.2.  
 0: SDA Extended Setup and Hold Times disabled.  
 1: SDA Extended Setup and Hold Times enabled.

Bit3: **SMBTOE: SMBus SCL Timeout Detection Enable.**  
 This bit enables SCL low timeout detection. If set to logic 1, the SMBus forces Timer 3 to reload while SCL is high and allows Timer 3 to count when SCL goes low. If Timer 3 is configured in split mode (T3SPLIT is set), only the high byte of Timer 3 is held in reload while SCL is high. Timer 3 should be programmed to generate interrupts at 25 ms, and the Timer 3 interrupt service routine should reset SMBus communication.

Bit2: **SMBFTE: SMBus Free Timeout Detection Enable.**  
 When this bit is set to logic 1, the bus will be considered free if SCL and SDA remain high for more than 10 SMBus clock source periods.

Bits1–0: **SMBCS1-SMBCS0: SMBus Clock Source Selection.**  
 These two bits select the SMBus clock source, which is used to generate the SMBus bit rate. The selected device should be configured according to Equation 14.1.

SMBCS1	SMBCS0	SMBus Clock Source
0	0	Timer 0 Overflow
0	1	Timer 1 Overflow
1	0	Timer 2 High Byte Overflow
1	1	Timer 2 Low Byte Overflow



---

## 14.4.2. SMB0CN Control Register

SMB0CN is used to control the interface and to provide status information (see SFR Definition 14.2). The higher four bits of SMB0CN (MASTER, TXMODE, STA, and STO) form a status vector that can be used to jump to service routines. MASTER and TXMODE indicate the master/slave state and transmit/receive modes, respectively.

STA and STO indicate that a START and/or STOP has been detected or generated since the last SMBus interrupt. STA and STO are also used to generate START and STOP conditions when operating as a master. Writing a '1' to STA will cause the SMBus interface to enter Master Mode and generate a START when the bus becomes free (STA is not cleared by hardware after the START is generated). Writing a '1' to STO while in Master Mode will cause the interface to generate a STOP and end the current transfer after the next ACK cycle. If STO and STA are both set (while in Master Mode), a STOP followed by a START will be generated.

As a receiver, writing the ACK bit defines the outgoing ACK value; as a transmitter, reading the ACK bit indicates the value received on the last ACK cycle. ACKRQ is set each time a byte is received, indicating that an outgoing ACK value is needed. When ACKRQ is set, software should write the desired outgoing value to the ACK bit before clearing SI. A NACK will be generated if software does not write the ACK bit before clearing SI. SDA will reflect the defined ACK value immediately following a write to the ACK bit; however SCL will remain low until SI is cleared. If a received slave address is not acknowledged, further slave events will be ignored until the next START is detected.

The ARBLOST bit indicates that the interface has lost an arbitration. This may occur anytime the interface is transmitting (master or slave). A lost arbitration while operating as a slave indicates a bus error condition. ARBLOST is cleared by hardware each time SI is cleared.

The SI bit (SMBus Interrupt Flag) is set at the beginning and end of each transfer, after each byte frame, or when an arbitration is lost; see Table 14.3 for more details.

**Important Note About the SI Bit:** The SMBus interface is stalled while SI is set; thus SCL is held low, and the bus is stalled until software clears SI.

Table 14.3 lists all sources for hardware changes to the SMB0CN bits. Refer to Table 14.4 for SMBus status decoding using the SMB0CN register.

# C8051F310/1/2/3/4/5/6/7

## SFR Definition 14.2. SMB0CN: SMBus Control

R	R	R/W	R/W	R	R	R/W	R/W	Reset Value
MASTER	TXMODE	STA	STO	ACKRQ	ARBLOST	ACK	SI	00000000
Bit7	Bit6	Bit5	Bit4	Bit3	Bit2	Bit1	Bit0	Bit Addressable
								SFR Address: 0xC0

Bit7: MASTER: SMBus Master/Slave Indicator.  
This read-only bit indicates when the SMBus is operating as a master.  
0: SMBus operating in Slave Mode.  
1: SMBus operating in Master Mode.

Bit6: TXMODE: SMBus Transmit Mode Indicator.  
This read-only bit indicates when the SMBus is operating as a transmitter.  
0: SMBus in Receiver Mode.  
1: SMBus in Transmitter Mode.

Bit5: STA: SMBus Start Flag.  
Write:  
0: No Start generated.  
1: When operating as a master, a START condition is transmitted if the bus is free (If the bus is not free, the START is transmitted after a STOP is received or a timeout is detected). If STA is set by software as an active Master, a repeated START will be generated after the next ACK cycle.  
Read:  
0: No Start or repeated Start detected.  
1: Start or repeated Start detected.

Bit4: STO: SMBus Stop Flag.  
Write:  
0: No STOP condition is transmitted.  
1: Setting STO to logic 1 causes a STOP condition to be transmitted after the next ACK cycle. When the STOP condition is generated, hardware clears STO to logic 0. If both STA and STO are set, a STOP condition is transmitted followed by a START condition.  
Read:  
0: No Stop condition detected.  
1: Stop condition detected (if in Slave Mode) or pending (if in Master Mode).

Bit3: ACKRQ: SMBus Acknowledge Request  
This read-only bit is set to logic 1 when the SMBus has received a byte and needs the ACK bit to be written with the correct ACK response value.

Bit2: ARBLOST: SMBus Arbitration Lost Indicator.  
This read-only bit is set to logic 1 when the SMBus loses arbitration while operating as a transmitter. A lost arbitration while a slave indicates a bus error condition.

Bit1: ACK: SMBus Acknowledge Flag.  
This bit defines the out-going ACK level and records incoming ACK levels. It should be written each time a byte is received (when ACKRQ=1), or read after each byte is transmitted.  
0: A "not acknowledge" has been received (if in Transmitter Mode) OR will be transmitted (if in Receiver Mode).  
1: An "acknowledge" has been received (if in Transmitter Mode) OR will be transmitted (if in Receiver Mode).

Bit0: SI: SMBus Interrupt Flag.  
This bit is set by hardware under the conditions listed in Table 14.3. SI must be cleared by software. While SI is set, SCL is held low and the SMBus is stalled.

**Table 14.3. Sources for Hardware Changes to SMB0CN**

Bit	Set by Hardware When...	Cleared by Hardware When...
MASTER	<ul style="list-style-type: none"> <li>• A START is generated.</li> </ul>	<ul style="list-style-type: none"> <li>• A STOP is generated.</li> <li>• Arbitration is lost.</li> </ul>
TXMODE	<ul style="list-style-type: none"> <li>• START is generated.</li> <li>• SMB0DAT is written before the start of an SMBus frame.</li> </ul>	<ul style="list-style-type: none"> <li>• A START is detected.</li> <li>• Arbitration is lost.</li> <li>• SMB0DAT is not written before the start of an SMBus frame.</li> </ul>
STA	<ul style="list-style-type: none"> <li>• A START followed by an address byte is received.</li> </ul>	<ul style="list-style-type: none"> <li>• Must be cleared by software.</li> </ul>
STO	<ul style="list-style-type: none"> <li>• A STOP is detected while addressed as a slave.</li> <li>• Arbitration is lost due to a detected STOP.</li> </ul>	<ul style="list-style-type: none"> <li>• A pending STOP is generated.</li> </ul>
ACKRQ	<ul style="list-style-type: none"> <li>• A byte has been received and an ACK response value is needed.</li> </ul>	<ul style="list-style-type: none"> <li>• After each ACK cycle.</li> </ul>
ARBLOST	<ul style="list-style-type: none"> <li>• A repeated START is detected as a MASTER when STA is low (unwanted repeated START).</li> <li>• SCL is sensed low while attempting to generate a STOP or repeated START condition.</li> <li>• SDA is sensed low while transmitting a '1' (excluding ACK bits).</li> </ul>	<ul style="list-style-type: none"> <li>• Each time SI is cleared.</li> </ul>
ACK	<ul style="list-style-type: none"> <li>• The incoming ACK value is low (ACKNOWLEDGE).</li> </ul>	<ul style="list-style-type: none"> <li>• The incoming ACK value is high (NOT ACKNOWLEDGE).</li> </ul>
SI	<ul style="list-style-type: none"> <li>• A START has been generated.</li> <li>• Lost arbitration.</li> <li>• A byte has been transmitted and an ACK/NACK received.</li> <li>• A byte has been received.</li> <li>• A START or repeated START followed by a slave address + R/W has been received.</li> <li>• A STOP has been received.</li> </ul>	<ul style="list-style-type: none"> <li>• Must be cleared by software.</li> </ul>

# C8051F310/1/2/3/4/5/6/7

## 14.4.3. Data Register

The SMBus Data register SMB0DAT holds a byte of serial data to be transmitted or one that has just been received. Software may safely read or write to the data register when the SI flag is set. Software should not attempt to access the SMB0DAT register when the SMBus is enabled and the SI flag is cleared to logic 0, as the interface may be in the process of shifting a byte of data into or out of the register.

Data in SMB0DAT is always shifted out MSB first. After a byte has been received, the first bit of received data is located at the MSB of SMB0DAT. While data is being shifted out, data on the bus is simultaneously being shifted in. SMB0DAT always contains the last data byte present on the bus. In the event of lost arbitration, the transition from master transmitter to slave receiver is made with the correct data or address in SMB0DAT.

### SFR Definition 14.3. SMB0DAT: SMBus Data

R/W	R/W	R/W	R/W	R/W	R/W	R/W	R/W	Reset Value
								00000000
Bit7	Bit6	Bit5	Bit4	Bit3	Bit2	Bit1	Bit0	

SFR Address: 0xC2

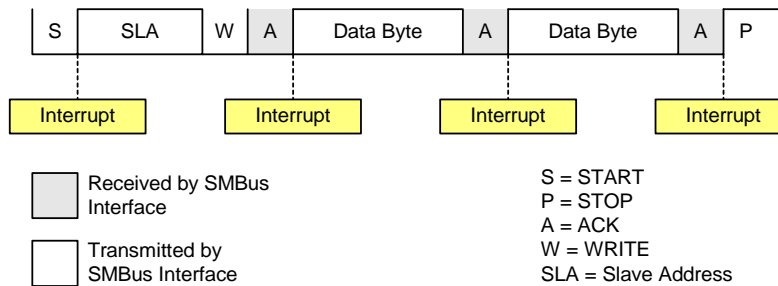
Bits7–0: SMB0DAT: SMBus Data.  
The SMB0DAT register contains a byte of data to be transmitted on the SMBus serial interface or a byte that has just been received on the SMBus serial interface. The CPU can read from or write to this register whenever the SI serial interrupt flag (SMB0CN.0) is set to logic 1. The serial data in the register remains stable as long as the SI flag is set. When the SI flag is not set, the system may be in the process of shifting data in/out and the CPU should not attempt to access this register.

## 14.5. SMBus Transfer Modes

The SMBus interface may be configured to operate as master and/or slave. At any particular time, it will be operating in one of the following four modes: Master Transmitter, Master Receiver, Slave Transmitter, or Slave Receiver. The SMBus interface enters Master Mode any time a START is generated, and remains in Master Mode until it loses an arbitration or generates a STOP. An SMBus interrupt is generated at the end of all SMBus byte frames; however, note that the interrupt is generated before the ACK cycle when operating as a receiver, and after the ACK cycle when operating as a transmitter.

### 14.5.1. Master Transmitter Mode

Serial data is transmitted on SDA while the serial clock is output on SCL. The SMBus interface generates the START condition and transmits the first byte containing the address of the target slave and the data direction bit. In this case the data direction bit (R/W) will be logic 0 (WRITE). The master then transmits one or more bytes of serial data. After each byte is transmitted, an acknowledge bit is generated by the slave. The transfer is ended when the STO bit is set and a STOP is generated. Note that the interface will switch to Master Receiver Mode if SMB0DAT is not written following a Master Transmitter interrupt. Figure 14.5 shows a typical Master Transmitter sequence. Two transmit data bytes are shown, though any number of bytes may be transmitted. Notice that the ‘data byte transferred’ interrupts occur **after** the ACK cycle in this mode.

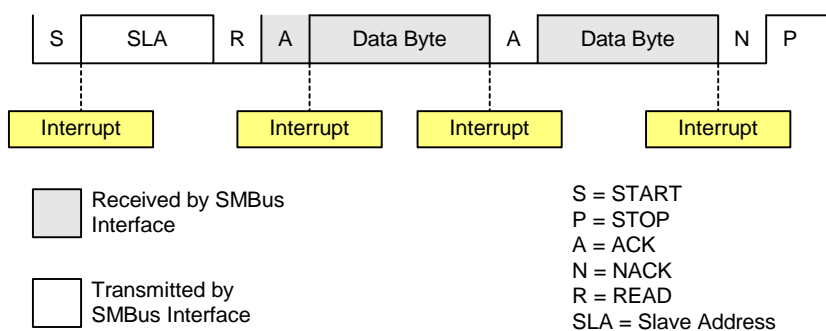


**Figure 14.5. Typical Master Transmitter Sequence**

# C8051F310/1/2/3/4/5/6/7

## 14.5.2. Master Receiver Mode

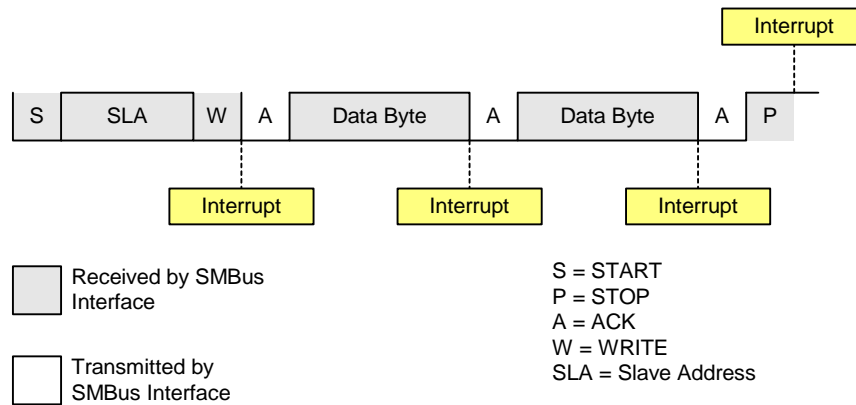
Serial data is received on SDA while the serial clock is output on SCL. The SMBus interface generates the START condition and transmits the first byte containing the address of the target slave and the data direction bit. In this case the data direction bit (R/W) will be logic 1 (READ). Serial data is then received from the slave on SDA while the SMBus outputs the serial clock. The slave transmits one or more bytes of serial data. After each byte is received, ACKRQ is set to '1' and an interrupt is generated. Software must write the ACK bit (SMB0CN.1) to define the outgoing acknowledge value (Note: writing a '1' to the ACK bit generates an ACK; writing a '0' generates a NACK). Software should write a '0' to the ACK bit after the last byte is received, to transmit a NACK. The interface exits Master Receiver Mode after the STO bit is set and a STOP is generated. Note that the interface will switch to Master Transmitter Mode if SMB0DAT is written while an active Master Receiver. Figure 14.6 shows a typical Master Receiver sequence. Two received data bytes are shown, though any number of bytes may be received. Notice that the 'data byte transferred' interrupts occur **before** the ACK cycle in this mode.



**Figure 14.6. Typical Master Receiver Sequence**

## 14.5.3. Slave Receiver Mode

Serial data is received on SDA and the clock is received on SCL. When slave events are enabled (INH = 0), the interface enters Slave Receiver Mode when a START followed by a slave address and direction bit (WRITE in this case) is received. Upon entering Slave Receiver Mode, an interrupt is generated and the ACKRQ bit is set. Software responds to the received slave address with an ACK, or ignores the received slave address with a NACK. If the received slave address is ignored, slave interrupts will be inhibited until the next START is detected. If the received slave address is acknowledged, zero or more data bytes are received. Software must write the ACK bit after each received byte to ACK or NACK the received byte. The interface exits Slave Receiver Mode after receiving a STOP. Note that the interface will switch to Slave Transmitter Mode if SMB0DAT is written while an active Slave Receiver. Figure 14.7 shows a typical Slave Receiver sequence. Two received data bytes are shown, though any number of bytes may be received. Notice that the 'data byte transferred' interrupts occur **before** the ACK cycle in this mode.



**Figure 14.7. Typical Slave Receiver Sequence**

# C8051F310/1/2/3/4/5/6/7

## 14.5.4. Slave Transmitter Mode

Serial data is transmitted on SDA and the clock is received on SCL. When slave events are enabled (INH = 0), the interface enters Slave Receiver Mode (to receive the slave address) when a START followed by a slave address and direction bit (READ in this case) is received. Upon entering Slave Transmitter Mode, an interrupt is generated and the ACKRQ bit is set. Software responds to the received slave address with an ACK, or ignores the received slave address with a NACK. If the received slave address is ignored, slave interrupts will be inhibited until a START is detected. If the received slave address is acknowledged, data should be written to SMBODAT to be transmitted. The interface enters Slave Transmitter Mode, and transmits one or more bytes of data. After each byte is transmitted, the master sends an acknowledge bit; if the acknowledge bit is an ACK, SMBODAT should be written with the next data byte. If the acknowledge bit is a NACK, SMBODAT should not be written to before SI is cleared (Note: an error condition may be generated if SMBODAT is written following a received NACK while in Slave Transmitter Mode). The interface exits Slave Transmitter Mode after receiving a STOP. Note that the interface will switch to Slave Receiver Mode if SMBODAT is not written following a Slave Transmitter interrupt. Figure 14.8 shows a typical Slave Transmitter sequence. Two transmitted data bytes are shown, though any number of bytes may be transmitted. Notice that the 'data byte transferred' interrupts occur **after** the ACK cycle in this mode.

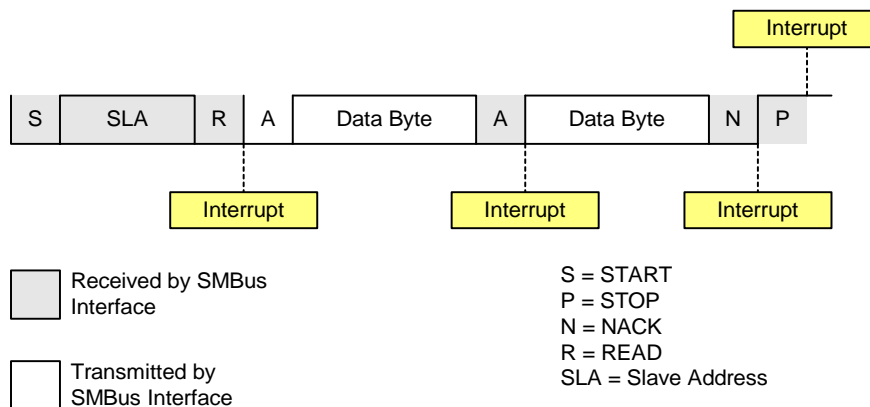


Figure 14.8. Typical Slave Transmitter Sequence



## 14.6. SMBus Status Decoding

The current SMBus status can be easily decoded using the SMB0CN register. In the table below, STATUS VECTOR refers to the four upper bits of SMB0CN: MASTER, TXMODE, STA, and STO. Note that the shown response options are only the typical responses; application-specific procedures are allowed as long as they conform to the SMBus specification. Highlighted responses are allowed but do not conform to the SMBus specification.

**Table 14.4. SMBus Status Decoding**

Mode	Values Read			Current SMBus State	Typical Response Options	Values Written			
	Status Vector	ACKRQ	ARBLOST			ACK	STA	STO	ACK
Master Transmitter	1110	0	0	X	A master START was generated.	Load slave address + R/W into SMB0DAT.	0	0	X
	1100	0	0	0	A master data or address byte was transmitted; NACK received.	Set STA to restart transfer.	1	0	X
						Abort transfer.	0	1	X
		0	0	1	A master data or address byte was transmitted; ACK received.	Load next data byte into SMB0-DAT.	0	0	X
						End transfer with STOP.	0	1	X
						End transfer with STOP and start another transfer.	1	1	X
	0	0	1	Send repeated START.	1	0	X		
0	0	1	Switch to Master Receiver Mode (clear SI without writing new data to SMB0DAT).	0	0	X			
Master Receiver	1000	1	0	X	A master data byte was received; ACK requested.	Acknowledge received byte; Read SMB0DAT.	0	0	1
						Send NACK to indicate last byte, and send STOP.	0	1	0
						Send NACK to indicate last byte, and send STOP followed by START.	1	1	0
						Send ACK followed by repeated START.	1	0	1
						Send NACK to indicate last byte, and send repeated START.	1	0	0
						Send ACK and switch to Master Transmitter Mode (write to SMB0-DAT before clearing SI).	0	0	1
						Send NACK and switch to Master Transmitter Mode (write to SMB0-DAT before clearing SI).	0	0	0

# C8051F310/1/2/3/4/5/6/7

**Table 14.4. SMBus Status Decoding (Continued)**

Mode	Values Read			Current SMBus State	Typical Response Options	Values Written			
	Status Vector	ACKRQ	ARBLOST			ACK	STA	STO	ACK
Slave Transmitter	0100	0	0	0	A slave byte was transmitted; NACK received.	No action required (expecting STOP condition).	0	0	X
		0	0	1	A slave byte was transmitted; ACK received.	Load SMB0DAT with next data byte to transmit.	0	0	X
		0	1	X	A Slave byte was transmitted; error detected.	No action required (expecting Master to end transfer).	0	0	X
	0101	0	X	X	A STOP was detected while an addressed Slave Transmitter.	No action required (transfer complete).	0	0	X
Slave Receiver	0010	1	0	X	A slave address was received; ACK requested.	Acknowledge received address.	0	0	1
						Do not acknowledge received address.	0	0	0
		1	1	X	Lost arbitration as master; slave address received; ACK requested.	Acknowledge received address.	0	0	1
						Do not acknowledge received address.	0	0	0
	0010	0	1	X	Lost arbitration while attempting a repeated START.	Abort failed transfer.	0	0	X
						Reschedule failed transfer.	1	0	X
	0001	1	1	X	Lost arbitration while attempting a STOP.	No action required (transfer complete/aborted).	0	0	0
						0	0	X	A STOP was detected while an addressed slave receiver.
		0	1	X	Lost arbitration due to a detected STOP.				
	Reschedule failed transfer.					1	0	X	
	0000	1	0	X	A slave byte was received; ACK requested.	Acknowledge received byte; Read SMB0DAT.	0	0	1
						Do not acknowledge received byte.	0	0	0
1		1	X	Lost arbitration while transmitting a data byte as master.	Abort failed transfer.	0	0	0	
	Reschedule failed transfer.				1	0	0		

## 15. UART0

UART0 is an asynchronous, full duplex serial port offering modes 1 and 3 of the standard 8051 UART. Enhanced baud rate support allows a wide range of clock sources to generate standard baud rates (details in [Section “15.1. Enhanced Baud Rate Generation” on page 164](#)). Received data buffering allows UART0 to start reception of a second incoming data byte before software has finished reading the previous data byte.

UART0 has two associated SFRs: Serial Control Register 0 (SCON0) and Serial Data Buffer 0 (SBUF0). The single SBUF0 location provides access to both transmit and receive registers. **Writes to SBUF0 always access the Transmit register. Reads of SBUF0 always access the buffered Receive register; it is not possible to read data from the Transmit register.**

With UART0 interrupts enabled, an interrupt is generated each time a transmit is completed (TI0 is set in SCON0), or a data byte has been received (RI0 is set in SCON0). The UART0 interrupt flags are not cleared by hardware when the CPU vectors to the interrupt service routine. They must be cleared manually by software, allowing software to determine the cause of the UART0 interrupt (transmit complete or receive complete).

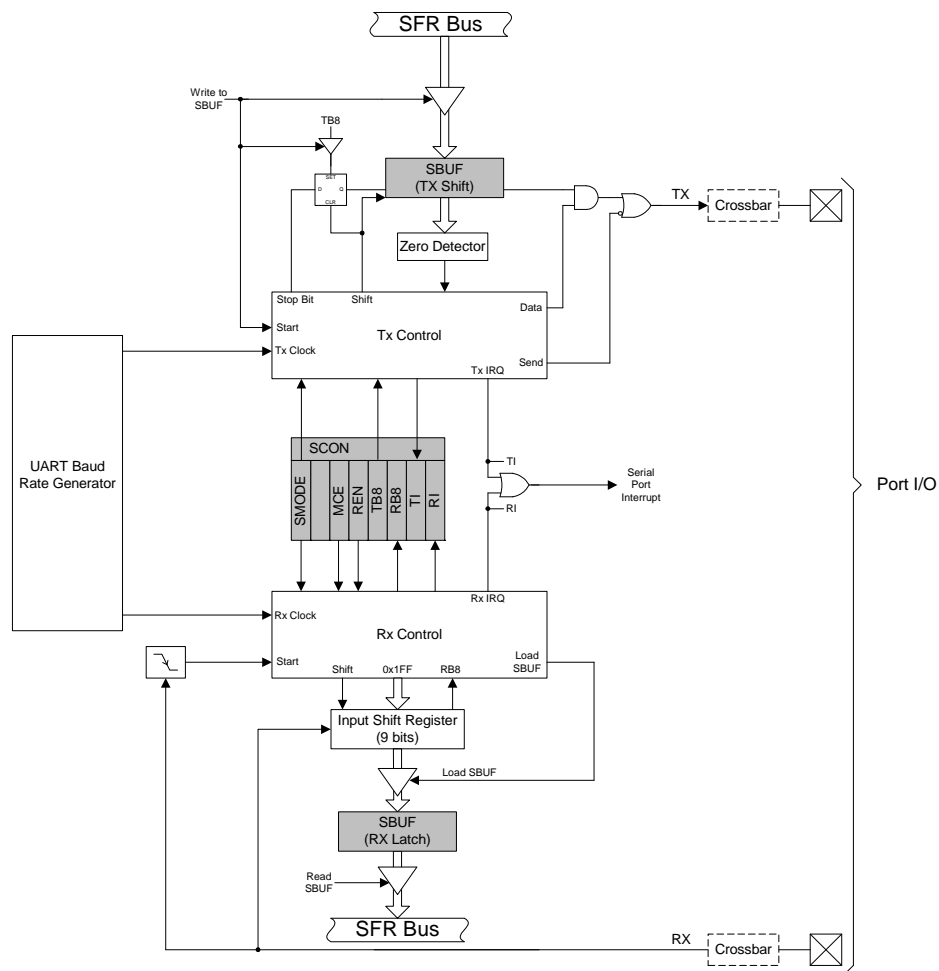
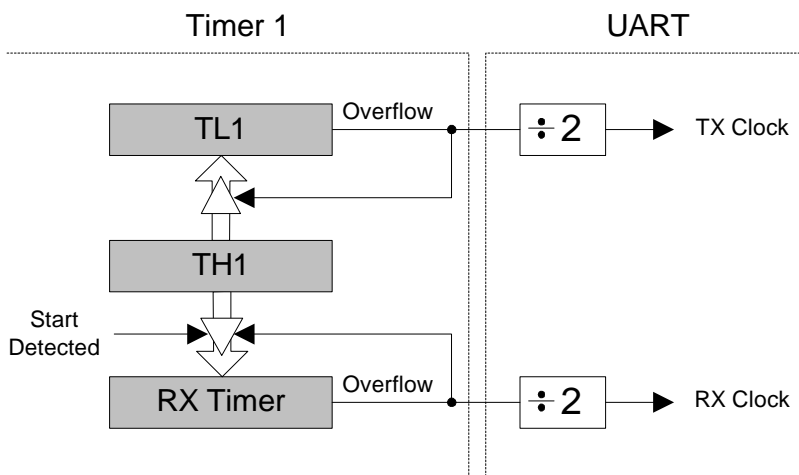


Figure 15.1. UART0 Block Diagram

## 15.1. Enhanced Baud Rate Generation

The UART0 baud rate is generated by Timer 1 in 8-bit auto-reload mode. The TX clock is generated by TL1; the RX clock is generated by a copy of TL1 (shown as RX Timer in Figure 15.2), which is not user-accessible. Both TX and RX Timer overflows are divided by two to generate the TX and RX baud rates. The RX Timer runs when Timer 1 is enabled, and uses the same reload value (TH1). However, an RX Timer reload is forced when a START condition is detected on the RX pin. This allows a receive to begin any time a START is detected, independent of the TX Timer state.



**Figure 15.2. UART0 Baud Rate Logic**

Timer 1 should be configured for Mode 2, 8-bit auto-reload (see [Section “17.1.3. Mode 2: 8-bit Counter/Timer with Auto-Reload” on page 189](#)). The Timer 1 reload value should be set so that overflows will occur at two times the desired UART baud rate frequency. Note that Timer 1 may be clocked by one of six sources: SYSCLK, SYSCLK / 4, SYSCLK / 12, SYSCLK / 48, the external oscillator clock / 8, or an external input T1. For any given Timer 1 clock source, the UART0 baud rate is determined by Equation 15.1.

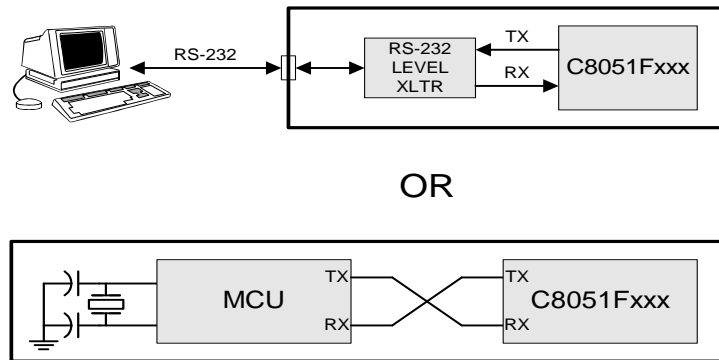
### Equation 15.1. UART0 Baud Rate

$$UartBaudRate = \frac{T1_{CLK}}{(256 - T1H)} \times \frac{1}{2}$$

Where  $T1_{CLK}$  is the frequency of the clock supplied to Timer 1, and  $T1H$  is the high byte of Timer 1 (reload value). Timer 1 clock frequency is selected as described in [Section “17. Timers” on page 187](#). A quick reference for typical baud rates and system clock frequencies is given in Table 15.1 through Table 15.6. Note that the internal oscillator may still generate the system clock when the external oscillator is driving Timer 1.

## 15.2. Operational Modes

UART0 provides standard asynchronous, full duplex communication. The UART mode (8-bit or 9-bit) is selected by the S0MODE bit (SCON0.7). Typical UART connection options are shown in Figure 15.3.



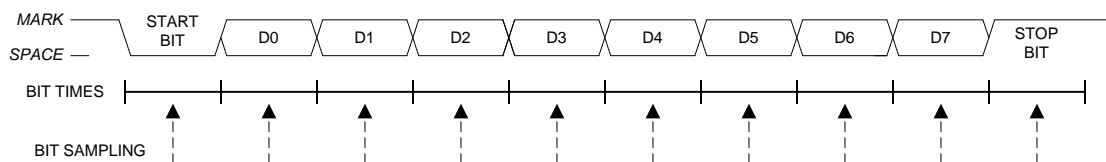
**Figure 15.3. UART Interconnect Diagram**

### 15.2.1. 8-Bit UART

8-Bit UART mode uses a total of 10 bits per data byte: one start bit, eight data bits (LSB first), and one stop bit. Data are transmitted LSB first from the TX0 pin and received at the RX0 pin. On receive, the eight data bits are stored in SBUF0 and the stop bit goes into RB80 (SCON0.2).

Data transmission begins when software writes a data byte to the SBUF0 register. The T10 Transmit Interrupt Flag (SCON0.1) is set at the end of the transmission (the beginning of the stop-bit time). Data reception can begin any time after the REN0 Receive Enable bit (SCON0.4) is set to logic 1. After the stop bit is received, the data byte will be loaded into the SBUF0 receive register if the following conditions are met: RI0 must be logic 0, and if MCE0 is logic 1, the stop bit must be logic 1. In the event of a receive data overrun, the first received 8 bits are latched into the SBUF0 receive register and the following overrun data bits are lost.

If these conditions are met, the eight bits of data is stored in SBUF0, the stop bit is stored in RB80 and the RI0 flag is set. If these conditions are not met, SBUF0 and RB80 will not be loaded and the RI0 flag will not be set. An interrupt will occur if enabled when either T10 or RI0 is set.



**Figure 15.4. 8-Bit UART Timing Diagram**

# C8051F310/1/2/3/4/5/6/7

## 15.2.2. 9-Bit UART

9-bit UART mode uses a total of eleven bits per data byte: a start bit, 8 data bits (LSB first), a programmable ninth data bit, and a stop bit. The state of the ninth transmit data bit is determined by the value in TB80 (SCON0.3), which is assigned by user software. It can be assigned the value of the parity flag (bit P in register PSW) for error detection, or used in multiprocessor communications. On receive, the ninth data bit goes into RB80 (SCON0.2) and the stop bit is ignored.

Data transmission begins when an instruction writes a data byte to the SBUF0 register. The T10 Transmit Interrupt Flag (SCON0.1) is set at the end of the transmission (the beginning of the stop-bit time). Data reception can begin any time after the REN0 Receive Enable bit (SCON0.4) is set to '1'. After the stop bit is received, the data byte will be loaded into the SBUF0 receive register if the following conditions are met: (1) RI0 must be logic 0, and (2) if MCE0 is logic 1, the 9th bit must be logic 1 (when MCE0 is logic 0, the state of the ninth data bit is unimportant). If these conditions are met, the eight bits of data are stored in SBUF0, the ninth bit is stored in RB80, and the RI0 flag is set to '1'. If the above conditions are not met, SBUF0 and RB80 will not be loaded and the RI0 flag will not be set to '1'. A UART0 interrupt will occur if enabled when either T10 or RI0 is set to '1'.

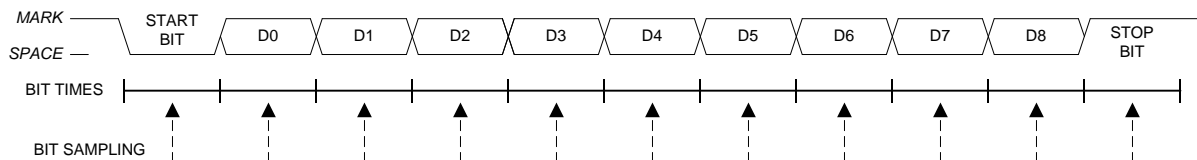


Figure 15.5. 9-Bit UART Timing Diagram

## 15.3. Multiprocessor Communications

9-Bit UART mode supports multiprocessor communication between a master processor and one or more slave processors by special use of the ninth data bit. When a master processor wants to transmit to one or more slaves, it first sends an address byte to select the target(s). An address byte differs from a data byte in that its ninth bit is logic 1; in a data byte, the ninth bit is always set to logic 0.

Setting the MCE0 bit (SCON0.5) of a slave processor configures its UART such that when a stop bit is received, the UART will generate an interrupt only if the ninth bit is logic 1 (RB80 = 1) signifying an address byte has been received. In the UART interrupt handler, software will compare the received address with the slave's own assigned 8-bit address. If the addresses match, the slave will clear its MCE0 bit to enable interrupts on the reception of the following data byte(s). Slaves that weren't addressed leave their MCE0 bits set and do not generate interrupts on the reception of the following data bytes, thereby ignoring the data. Once the entire message is received, the addressed slave resets its MCE0 bit to ignore all transmissions until it receives the next address byte.

Multiple addresses can be assigned to a single slave and/or a single address can be assigned to multiple slaves, thereby enabling "broadcast" transmissions to more than one slave simultaneously. The master processor can be configured to receive all transmissions or a protocol can be implemented such that the master/slave role is temporarily reversed to enable half-duplex transmission between the original master and slave(s).

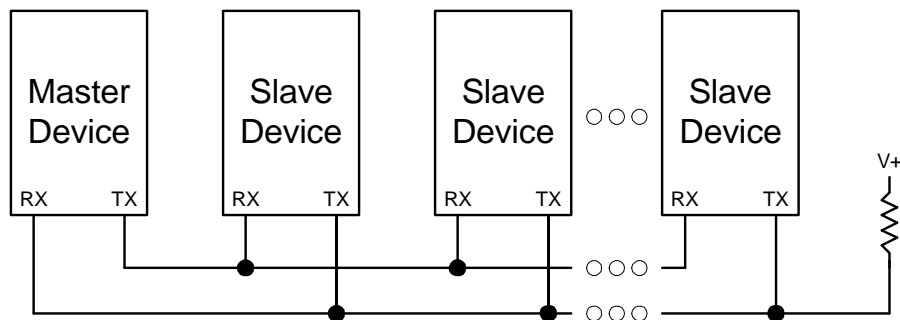


Figure 15.6. UART Multi-Processor Mode Interconnect Diagram

# C8051F310/1/2/3/4/5/6/7

## SFR Definition 15.1. SCON0: Serial Port 0 Control

R/W	R	R/W	R/W	R/W	R/W	R/W	R/W	Reset Value
S0MODE		MCE0	REN0	TB80	RB80	T10	RI0	01000000
Bit7	Bit6	Bit5	Bit4	Bit3	Bit2	Bit1	Bit0	Bit Addressable

SFR Address: 0x98

Bit7: S0MODE: Serial Port 0 Operation Mode.  
This bit selects the UART0 Operation Mode.  
0: 8-bit UART with Variable Baud Rate.  
1: 9-bit UART with Variable Baud Rate.

Bit6: UNUSED. Read = 1b. Write = don't care.

Bit5: MCE0: Multiprocessor Communication Enable.  
The function of this bit is dependent on the Serial Port 0 Operation Mode.  
S0MODE = 0: Checks for valid stop bit.  
0: Logic level of stop bit is ignored.  
1: RI0 will only be activated if stop bit is logic level 1.  
S0MODE = 1: Multiprocessor Communications Enable.  
0: Logic level of ninth bit is ignored.  
1: RI0 is set and an interrupt is generated only when the ninth bit is logic 1.

Bit4: REN0: Receive Enable.  
This bit enables/disables the UART receiver.  
0: UART0 reception disabled.  
1: UART0 reception enabled.

Bit3: TB80: Ninth Transmission Bit.  
The logic level of this bit will be assigned to the ninth transmission bit in 9-bit UART Mode. It is not used in 8-bit UART Mode. Set or cleared by software as required.

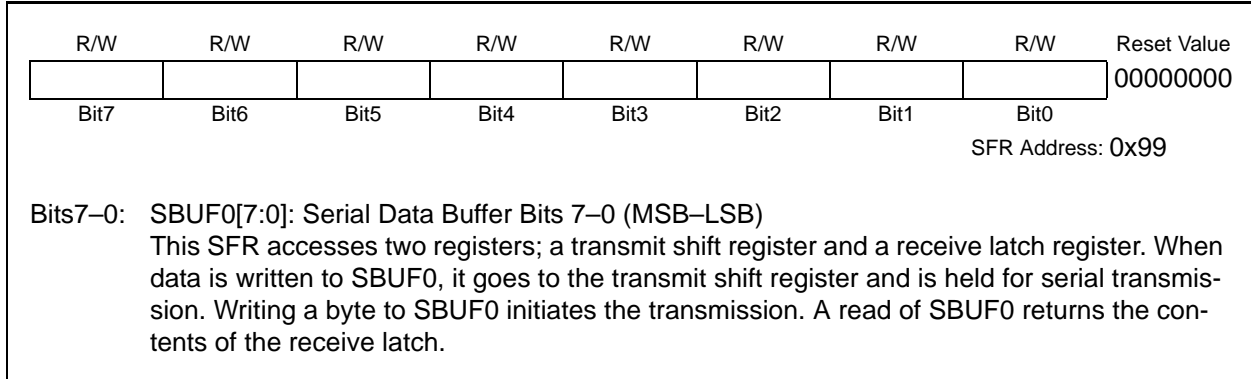
Bit2: RB80: Ninth Receive Bit.  
RB80 is assigned the value of the STOP bit in Mode 0; it is assigned the value of the 9th data bit in Mode 1.

Bit1: T10: Transmit Interrupt Flag.  
Set by hardware when a byte of data has been transmitted by UART0 (after the 8th bit in 8-bit UART Mode, or at the beginning of the STOP bit in 9-bit UART Mode). When the UART0 interrupt is enabled, setting this bit causes the CPU to vector to the UART0 interrupt service routine. This bit must be cleared manually by software.

Bit0: RI0: Receive Interrupt Flag.  
Set to '1' by hardware when a byte of data has been received by UART0 (set at the STOP bit sampling time). When the UART0 interrupt is enabled, setting this bit to '1' causes the CPU to vector to the UART0 interrupt service routine. This bit must be cleared manually by software.



## SFR Definition 15.2. SBUF0: Serial (UART0) Port Data Buffer



**Table 15.1. Timer Settings for Standard Baud Rates Using the Internal Oscillator**

Frequency: 24.5 MHz							
	Target Baud Rate (bps)	Baud Rate % Error	Oscillator Divide Factor	Timer Clock Source	SCA1-SCA0 (pre-scale select)*	T1M*	Timer 1 Reload Value (hex)
SYSCLK from Internal Osc.	230400	-0.32%	106	SYSCLK	XX	1	0xCB
	115200	-0.32%	212	SYSCLK	XX	1	0x96
	57600	0.15%	426	SYSCLK	XX	1	0x2B
	28800	-0.32%	848	SYSCLK / 4	01	0	0x96
	14400	0.15%	1704	SYSCLK / 12	00	0	0xB9
	9600	-0.32%	2544	SYSCLK / 12	00	0	0x96
	2400	-0.32%	10176	SYSCLK / 48	10	0	0x96
	1200	0.15%	20448	SYSCLK / 48	10	0	0x2B

X = Don't care

\*Note: SCA1–SCA0 and T1M bit definitions can be found in [Section 17.1](#).

**Table 15.2. Timer Settings for Standard Baud Rates Using an External 25 MHz Oscillator**

Frequency: 25.0 MHz							
	Target Baud Rate (bps)	Baud Rate % Error	Oscillator Divide Factor	Timer Clock Source	SCA1-SCA0 (pre-scale select)*	T1M*	Timer 1 Reload Value (hex)
SYSCLK from External Osc.	230400	-0.47%	108	SYSCLK	XX	1	0xCA
	115200	0.45%	218	SYSCLK	XX	1	0x93
	57600	-0.01%	434	SYSCLK	XX	1	0x27
	28800	0.45%	872	SYSCLK / 4	01	0	0x93
	14400	-0.01%	1736	SYSCLK / 4	01	0	0x27
	9600	0.15%	2608	EXTCLK / 8	11	0	0x5D
	2400	0.45%	10464	SYSCLK / 48	10	0	0x93
	1200	-0.01%	20832	SYSCLK / 48	10	0	0x27
SYSCLK from Internal Osc.	57600	-0.47%	432	EXTCLK / 8	11	0	0xE5
	28800	-0.47%	864	EXTCLK / 8	11	0	0xCA
	14400	0.45%	1744	EXTCLK / 8	11	0	0x93
	9600	0.15%	2608	EXTCLK / 8	11	0	0x5D

X = Don't care

\*Note: SCA1–SCA0 and T1M bit definitions can be found in [Section 17.1](#).

**Table 15.3. Timer Settings for Standard Baud Rates  
Using an External 22.1184 MHz Oscillator**

Frequency: 22.1184 MHz							
	Target Baud Rate (bps)	Baud Rate % Error	Oscillator Divide Factor	Timer Clock Source	SCA1-SCA0 (pre-scale select)*	T1M*	Timer 1 Reload Value (hex)
SYSCLK from External Osc.	230400	0.00%	96	SYSCLK	XX	1	0xD0
	115200	0.00%	192	SYSCLK	XX	1	0xA0
	57600	0.00%	384	SYSCLK	XX	1	0x40
	28800	0.00%	768	SYSCLK / 12	00	0	0xE0
	14400	0.00%	1536	SYSCLK / 12	00	0	0xC0
	9600	0.00%	2304	SYSCLK / 12	00	0	0xA0
	2400	0.00%	9216	SYSCLK / 48	10	0	0xA0
1200	0.00%	18432	SYSCLK / 48	10	0	0x40	
SYSCLK from Internal Osc.	230400	0.00%	96	EXTCLK / 8	11	0	0xFA
	115200	0.00%	192	EXTCLK / 8	11	0	0xF4
	57600	0.00%	384	EXTCLK / 8	11	0	0xE8
	28800	0.00%	768	EXTCLK / 8	11	0	0xD0
	14400	0.00%	1536	EXTCLK / 8	11	0	0xA0
	9600	0.00%	2304	EXTCLK / 8	11	0	0x70

X = Don't care

\*Note: SCA1–SCA0 and T1M bit definitions can be found in [Section 17.1](#).

**Table 15.4. Timer Settings for Standard Baud Rates  
Using an External 18.432 MHz Oscillator**

Frequency: 18.432 MHz							
	Target Baud Rate (bps)	Baud Rate % Error	Oscillator Divide Factor	Timer Clock Source	SCA1-SCA0 (pre-scale select)*	T1M*	Timer 1 Reload Value (hex)
SYSCLK from External Osc.	230400	0.00%	80	SYSCLK	XX	1	0xD8
	115200	0.00%	160	SYSCLK	XX	1	0xB0
	57600	0.00%	320	SYSCLK	XX	1	0x60
	28800	0.00%	640	SYSCLK / 4	01	0	0xB0
	14400	0.00%	1280	SYSCLK / 4	01	0	0x60
	9600	0.00%	1920	SYSCLK / 12	00	0	0xB0
	2400	0.00%	7680	SYSCLK / 48	10	0	0xB0
1200	0.00%	15360	SYSCLK / 48	10	0	0x60	
SYSCLK from Internal Osc.	230400	0.00%	80	EXTCLK / 8	11	0	0xFB
	115200	0.00%	160	EXTCLK / 8	11	0	0xF6
	57600	0.00%	320	EXTCLK / 8	11	0	0xEC
	28800	0.00%	640	EXTCLK / 8	11	0	0xD8
	14400	0.00%	1280	EXTCLK / 8	11	0	0xB0
	9600	0.00%	1920	EXTCLK / 8	11	0	0x88

X = Don't care

\*Note: SCA1–SCA0 and T1M bit definitions can be found in [Section 17.1](#).

# C8051F310/1/2/3/4/5/6/7

**Table 15.5. Timer Settings for Standard Baud Rates  
Using an External 11.0592 MHz Oscillator**

Frequency: 11.0592 MHz							
	Target Baud Rate (bps)	Baud Rate % Error	Oscillator Divide Factor	Timer Clock Source	SCA1-SCA0 (pre-scale select)*	T1M*	Timer 1 Reload Value (hex)
SYSCLK from External Osc.	230400	0.00%	48	SYSCLK	XX	1	0xE8
	115200	0.00%	96	SYSCLK	XX	1	0xD0
	57600	0.00%	192	SYSCLK	XX	1	0xA0
	28800	0.00%	384	SYSCLK	XX	1	0x40
	14400	0.00%	768	SYSCLK / 12	00	0	0xE0
	9600	0.00%	1152	SYSCLK / 12	00	0	0xD0
	2400	0.00%	4608	SYSCLK / 12	00	0	0x40
	1200	0.00%	9216	SYSCLK / 48	10	0	0xA0
SYSCLK from Internal Osc.	230400	0.00%	48	EXTCLK / 8	11	0	0xFD
	115200	0.00%	96	EXTCLK / 8	11	0	0xFA
	57600	0.00%	192	EXTCLK / 8	11	0	0xF4
	28800	0.00%	384	EXTCLK / 8	11	0	0xE8
	14400	0.00%	768	EXTCLK / 8	11	0	0xD0
	9600	0.00%	1152	EXTCLK / 8	11	0	0xB8

X = Don't care

\*Note: SCA1–SCA0 and T1M bit definitions can be found in [Section 17.1](#).

**Table 15.6. Timer Settings for Standard Baud Rates  
Using an External 3.6864 MHz Oscillator**

Frequency: 3.6864 MHz							
	Target Baud Rate (bps)	Baud Rate % Error	Oscillator Divide Factor	Timer Clock Source	SCA1-SCA0 (pre-scale select)*	T1M*	Timer 1 Reload Value (hex)
SYSCLK from External Osc.	230400	0.00%	16	SYSCLK	XX	1	0xF8
	115200	0.00%	32	SYSCLK	XX	1	0xF0
	57600	0.00%	64	SYSCLK	XX	1	0xE0
	28800	0.00%	128	SYSCLK	XX	1	0xC0
	14400	0.00%	256	SYSCLK	XX	1	0x80
	9600	0.00%	384	SYSCLK	XX	1	0x40
	2400	0.00%	1536	SYSCLK / 12	00	0	0xC0
	1200	0.00%	3072	SYSCLK / 12	00	0	0x80
SYSCLK from Internal Osc.	230400	0.00%	16	EXTCLK / 8	11	0	0xFF
	115200	0.00%	32	EXTCLK / 8	11	0	0xFE
	57600	0.00%	64	EXTCLK / 8	11	0	0xFC
	28800	0.00%	128	EXTCLK / 8	11	0	0xF8
	14400	0.00%	256	EXTCLK / 8	11	0	0xF0
	9600	0.00%	384	EXTCLK / 8	11	0	0xE8

X = Don't care

\*Note: SCA1–SCA0 and T1M bit definitions can be found in [Section 17.1](#).

## 16. Enhanced Serial Peripheral Interface (SPI0)

The Enhanced Serial Peripheral Interface (SPI0) provides access to a flexible, full-duplex synchronous serial bus. SPI0 can operate as a master or slave device in both 3-wire or 4-wire modes, and supports multiple masters and slaves on a single SPI bus. The slave-select (NSS) signal can be configured as an input to select SPI0 in slave mode, or to disable Master Mode operation in a multi-master environment, avoiding contention on the SPI bus when more than one master attempts simultaneous data transfers. NSS can also be configured as a chip-select output in master mode, or disabled for 3-wire operation. Additional general purpose port I/O pins can be used to select multiple slave devices in master mode.

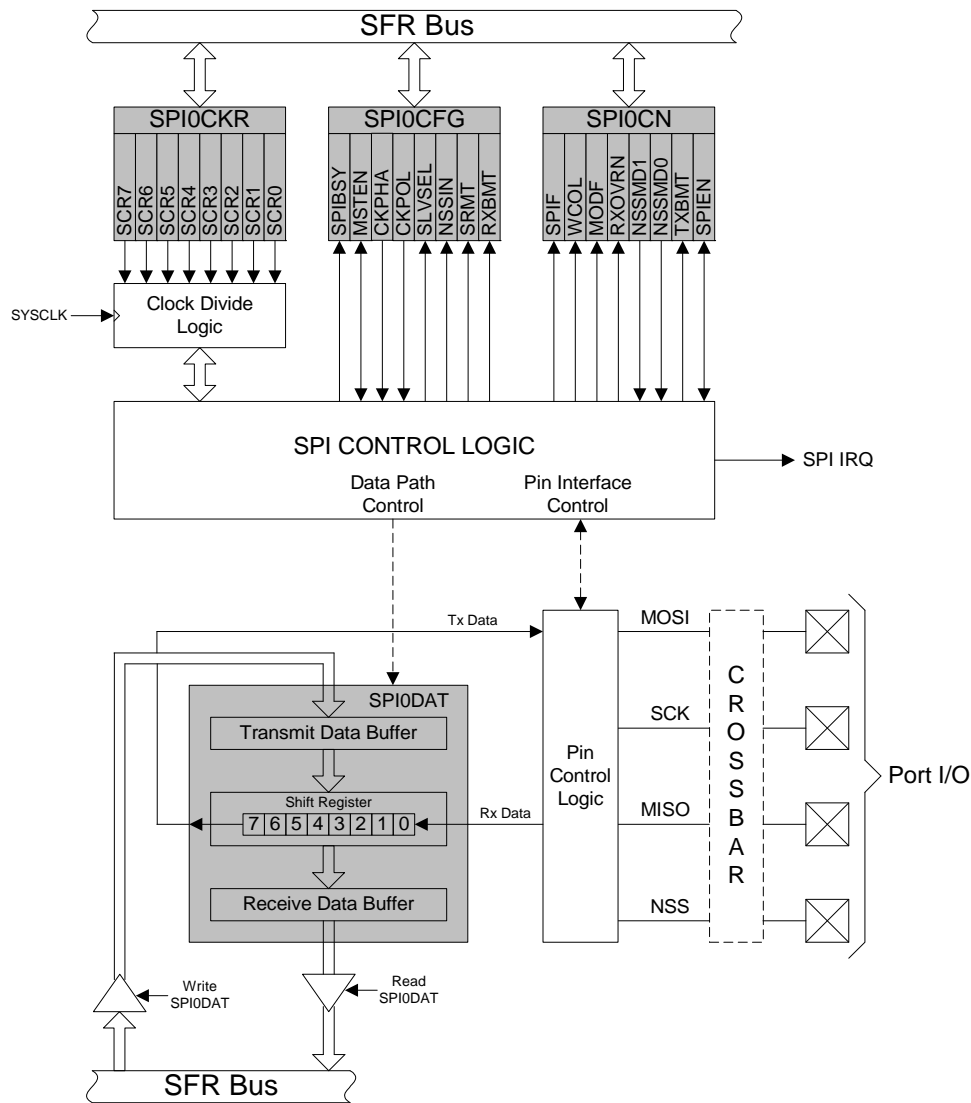


Figure 16.1. SPI Block Diagram

# C8051F310/1/2/3/4/5/6/7

---

## 16.1. Signal Descriptions

The four signals used by SPI0 (MOSI, MISO, SCK, NSS) are described below.

### 16.1.1. Master Out, Slave In (MOSI)

The master-out, slave-in (MOSI) signal is an output from a master device and an input to slave devices. It is used to serially transfer data from the master to the slave. This signal is an output when SPI0 is operating as a master and an input when SPI0 is operating as a slave. Data is transferred most-significant bit first. When configured as a master, MOSI is driven by the MSB of the shift register in both 3- and 4-wire mode.

### 16.1.2. Master In, Slave Out (MISO)

The master-in, slave-out (MISO) signal is an output from a slave device and an input to the master device. It is used to serially transfer data from the slave to the master. This signal is an input when SPI0 is operating as a master and an output when SPI0 is operating as a slave. Data is transferred most-significant bit first. The MISO pin is placed in a high-impedance state when the SPI module is disabled and when the SPI operates in 4-wire mode as a slave that is not selected. When acting as a slave in 3-wire mode, MISO is always driven by the MSB of the shift register.

### 16.1.3. Serial Clock (SCK)

The serial clock (SCK) signal is an output from the master device and an input to slave devices. It is used to synchronize the transfer of data between the master and slave on the MOSI and MISO lines. SPI0 generates this signal when operating as a master. The SCK signal is ignored by a SPI slave when the slave is not selected (NSS = 1) in 4-wire slave mode.

### 16.1.4. Slave Select (NSS)

The function of the slave-select (NSS) signal is dependent on the setting of the NSSMD1 and NSSMD0 bits in the SPI0CN register. There are three possible modes that can be selected with these bits:

- NSSMD[1:0] = 00: 3-Wire Master or 3-Wire Slave Mode: SPI0 operates in 3-wire mode, and NSS is disabled. When operating as a slave device, SPI0 is always selected in 3-wire mode. Since no select signal is present, SPI0 must be the only slave on the bus in 3-wire mode. This is intended for point-to-point communication between a master and one slave.
- NSSMD[1:0] = 01: 4-Wire Slave or Multi-Master Mode: SPI0 operates in 4-wire mode, and NSS is enabled as an input. When operating as a slave, NSS selects the SPI0 device. When operating as a master, a 1-to-0 transition of the NSS signal disables the master function of SPI0 so that multiple master devices can be used on the same SPI bus.
- NSSMD[1:0] = 1x: 4-Wire Master Mode: SPI0 operates in 4-wire mode, and NSS is enabled as an output. The setting of NSSMD0 determines what logic level the NSS pin will output. This configuration should only be used when operating SPI0 as a master device.

See Figure 16.2, Figure 16.3, and Figure 16.4 for typical connection diagrams of the various operational modes. **Note that the setting of NSSMD bits affects the pinout of the device.** When in 3-wire master or 3-wire slave mode, the NSS pin will not be mapped by the crossbar. In all other modes, the NSS signal will be mapped to a pin on the device. See Section “[13. Port Input/Output](#)” on page [129](#) for general purpose port I/O and crossbar information.

---

## 16.2. SPI0 Master Mode Operation

A SPI master device initiates all data transfers on a SPI bus. SPI0 is placed in master mode by setting the Master Enable flag (MSTEN, SPI0CN.6). Writing a byte of data to the SPI0 data register (SPI0DAT) when in master mode writes to the transmit buffer. If the SPI shift register is empty, the byte in the transmit buffer is moved to the shift register, and a data transfer begins. The SPI0 master immediately shifts out the data serially on the MOSI line while providing the serial clock on SCK. The SPIF (SPI0CN.7) flag is set to logic 1 at the end of the transfer. If interrupts are enabled, an interrupt request is generated when the SPIF flag is set. While the SPI0 master transfers data to a slave on the MOSI line, the addressed SPI slave device simultaneously transfers the contents of its shift register to the SPI master on the MISO line in a full-duplex operation. Therefore, the SPIF flag serves as both a transmit-complete and receive-data-ready flag. The data byte received from the slave is transferred MSB-first into the master's shift register. When a byte is fully shifted into the register, it is moved to the receive buffer where it can be read by the processor by reading SPI0DAT.

When configured as a master, SPI0 can operate in one of three different modes: multi-master mode, 3-wire single-master mode, and 4-wire single-master mode. The default, multi-master mode is active when NSSMD1 (SPI0CN.3) = 0 and NSSMD0 (SPI0CN.2) = 1. In this mode, NSS is an input to the device, and is used to disable the master SPI0 when another master is accessing the bus. When NSS is pulled low in this mode, MSTEN (SPI0CN.6) and SPIEN (SPI0CN.0) are set to 0 to disable the SPI master device, and a Mode Fault is generated (MODF, SPI0CN.5 = 1). Mode Fault will generate an interrupt if enabled. SPI0 must be manually re-enabled in software under these circumstances. In multi-master systems, devices will typically default to being slave devices while they are not acting as the system master device. In multi-master mode, slave devices can be addressed individually (if needed) using general-purpose I/O pins. Figure 16.2 shows a connection diagram between two master devices in multiple-master mode.

3-wire single-master mode is active when NSSMD1 (SPI0CN.3) = 0 and NSSMD0 (SPI0CN.2) = 0. In this mode, NSS is not used, and is not mapped to an external port pin through the crossbar. Any slave devices that must be addressed in this mode should be selected using general-purpose I/O pins. Figure 16.3 shows a connection diagram between a master device in 3-wire master mode and a slave device.

4-wire single-master mode is active when NSSMD1 (SPI0CN.3) = 1. In this mode, NSS is configured as an output pin, and can be used as a slave-select signal for a single SPI device. In this mode, the output value of NSS is controlled (in software) with the bit NSSMD0 (SPI0CN.2). Additional slave devices can be addressed using general-purpose I/O pins. Figure 16.4 shows a connection diagram for a master device in 4-wire master mode and two slave devices.

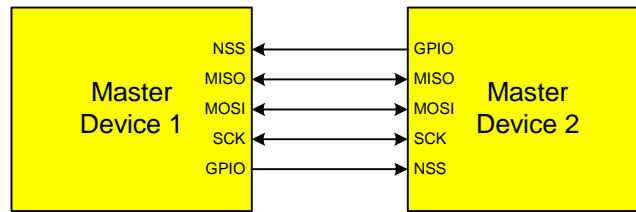


Figure 16.2. Multiple-Master Mode Connection Diagram

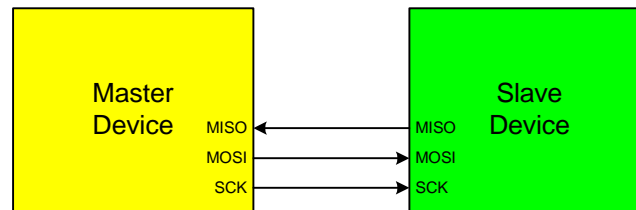


Figure 16.3. 3-Wire Single Master and Slave Mode Connection Diagram

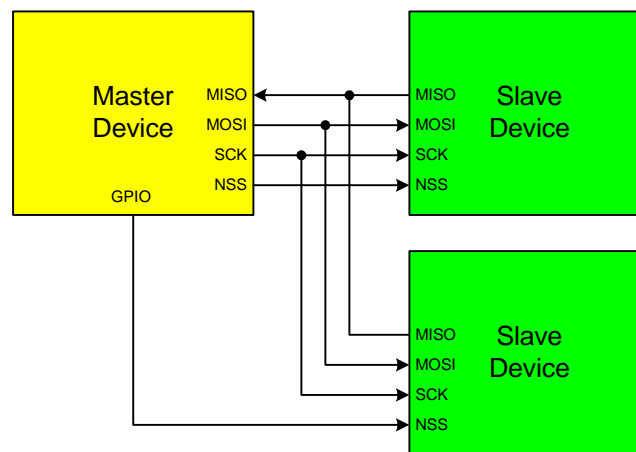


Figure 16.4. 4-Wire Single Master and Slave Mode Connection Diagram



## 16.3. SPI0 Slave Mode Operation

When SPI0 is enabled and not configured as a master, it will operate as a SPI slave. As a slave, bytes are shifted in through the MOSI pin and out through the MISO pin by a master device controlling the SCK signal. A bit counter in the SPI0 logic counts SCK edges. When 8 bits have been shifted through the shift register, the SPIF flag is set to logic 1, and the byte is copied into the receive buffer. Data is read from the receive buffer by reading SPI0DAT. A slave device cannot initiate transfers. Data to be transferred to the master device is pre-loaded into the shift register by writing to SPI0DAT. Writes to SPI0DAT are double-buffered, and are placed in the transmit buffer first. If the shift register is empty, the contents of the transmit buffer will immediately be transferred into the shift register. When the shift register already contains data, the SPI will load the shift register with the transmit buffer's contents after the last SCK edge of the next (or current) SPI transfer.

When configured as a slave, SPI0 can be configured for 4-wire or 3-wire operation. The default, 4-wire slave mode, is active when NSSMD1 (SPI0CN.3) = 0 and NSSMD0 (SPI0CN.2) = 1. In 4-wire mode, the NSS signal is routed to a port pin and configured as a digital input. SPI0 is enabled when NSS is logic 0, and disabled when NSS is logic 1. The bit counter is reset on a falling edge of NSS. Note that the NSS signal must be driven low at least 2 system clocks before the first active edge of SCK for each byte transfer. Figure 16.4 shows a connection diagram between two slave devices in 4-wire slave mode and a master device.

3-wire slave mode is active when NSSMD1 (SPI0CN.3) = 0 and NSSMD0 (SPI0CN.2) = 0. NSS is not used in this mode, and is not mapped to an external port pin through the crossbar. Since there is no way of uniquely addressing the device in 3-wire slave mode, SPI0 must be the only slave device present on the bus. It is important to note that in 3-wire slave mode there is no external means of resetting the bit counter that determines when a full byte has been received. The bit counter can only be reset by disabling and re-enabling SPI0 with the SPIEN bit. Figure 16.3 shows a connection diagram between a slave device in 3-wire slave mode and a master device.

## 16.4. SPI0 Interrupt Sources

When SPI0 interrupts are enabled, the following four flags will generate an interrupt when they are set to logic 1:

*Note that all of the following bits must be cleared by software.*

1. The SPI Interrupt Flag, SPIF (SPI0CN.7) is set to logic 1 at the end of each byte transfer. This flag can occur in all SPI0 modes.
2. The Write Collision Flag, WCOL (SPI0CN.6) is set to logic 1 if a write to SPI0DAT is attempted when the transmit buffer has not been emptied to the SPI shift register. When this occurs, the write to SPI0DAT will be ignored, and the transmit buffer will not be written. This flag can occur in all SPI0 modes.
3. The Mode Fault Flag MODF (SPI0CN.5) is set to logic 1 when SPI0 is configured as a master, and for multi-master mode and the NSS pin is pulled low. When a Mode Fault occurs, the MSTEN and SPIEN bits in SPI0CN are set to logic 0 to disable SPI0 and allow another master device to access the bus.
4. The Receive Overrun Flag RXOVRN (SPI0CN.4) is set to logic 1 when configured as a slave, and a transfer is completed and the receive buffer still holds an unread byte from a previous transfer. The new byte is not transferred to the receive buffer, allowing the previously received data byte to be read. The data byte which caused the overrun is lost.

# C8051F310/1/2/3/4/5/6/7

## 16.5. Serial Clock Timing

Four combinations of serial clock phase and polarity can be selected using the clock control bits in the SPI0 Configuration Register (SPI0CFG). The CKPHA bit (SPI0CFG.5) selects one of two clock phases (edge used to latch the data). The CKPOL bit (SPI0CFG.4) selects between an active-high or active-low clock. Both master and slave devices must be configured to use the same clock phase and polarity. SPI0 should be disabled (by clearing the SPIEN bit, SPI0CN.0) when changing the clock phase or polarity. The clock and data line relationships for master mode are shown in Figure 16.5. For slave mode, the clock and data relationships are shown in Figure 16.6 and Figure 16.7. CKPHA must be set to '0' on both the master and slave SPI when communicating between two of the following devices: C8051F04x, C8051F06x, C8051F12x, C8051F31x, C8051F32x, and C8051F33x

The SPI0 Clock Rate Register (SPI0CKR) as shown in SFR Definition 16.3 controls the master mode serial clock frequency. This register is ignored when operating in slave mode. When the SPI is configured as a master, the maximum data transfer rate (bits/sec) is one-half the system clock frequency or 12.5 MHz, whichever is slower. When the SPI is configured as a slave, the maximum data transfer rate (bits/sec) for full-duplex operation is 1/10 the system clock frequency, provided that the master issues SCK, NSS (in 4-wire slave mode), and the serial input data synchronously with the slave's system clock. If the master issues SCK, NSS, and the serial input data asynchronously, the maximum data transfer rate (bits/sec) must be less than 1/10 the system clock frequency. In the special case where the master only wants to transmit data to the slave and does not need to receive data from the slave (i.e. half-duplex operation), the SPI slave can receive data at a maximum data transfer rate (bits/sec) of 1/4 the system clock frequency. This is provided that the master issues SCK, NSS, and the serial input data synchronously with the slave's system clock.

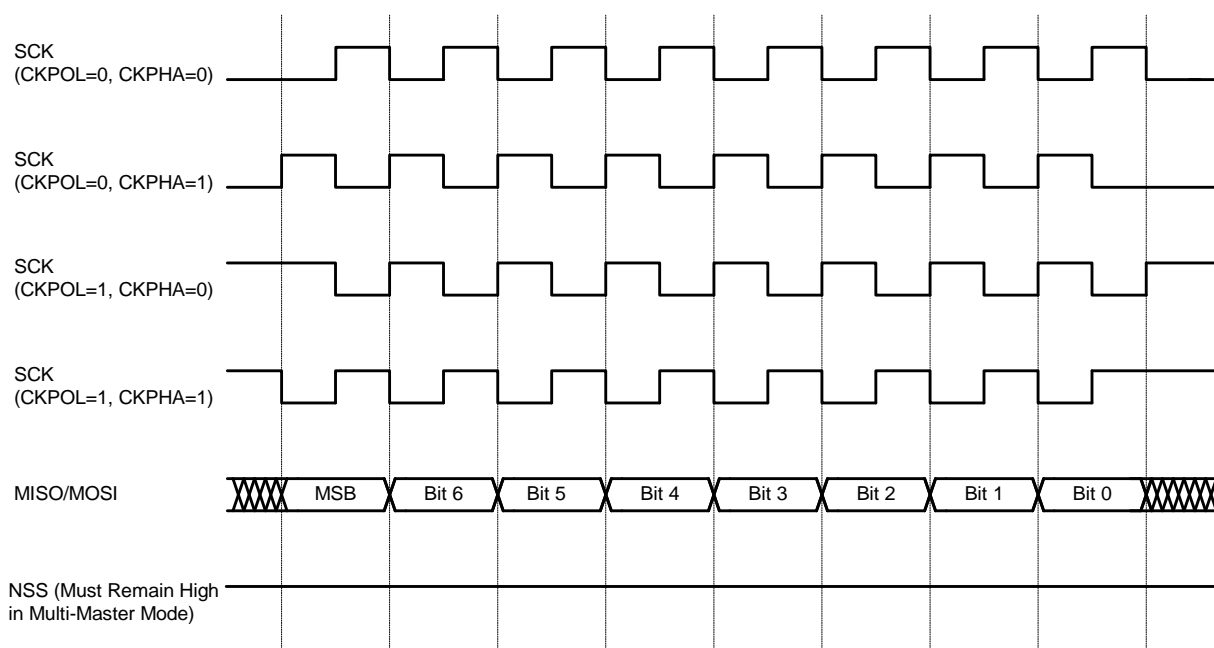
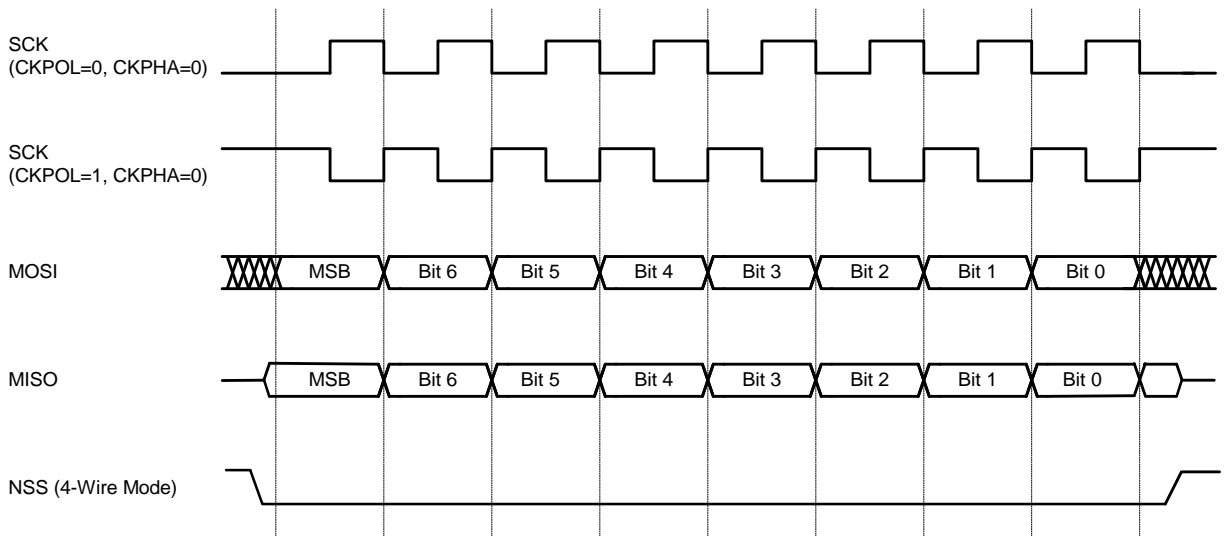
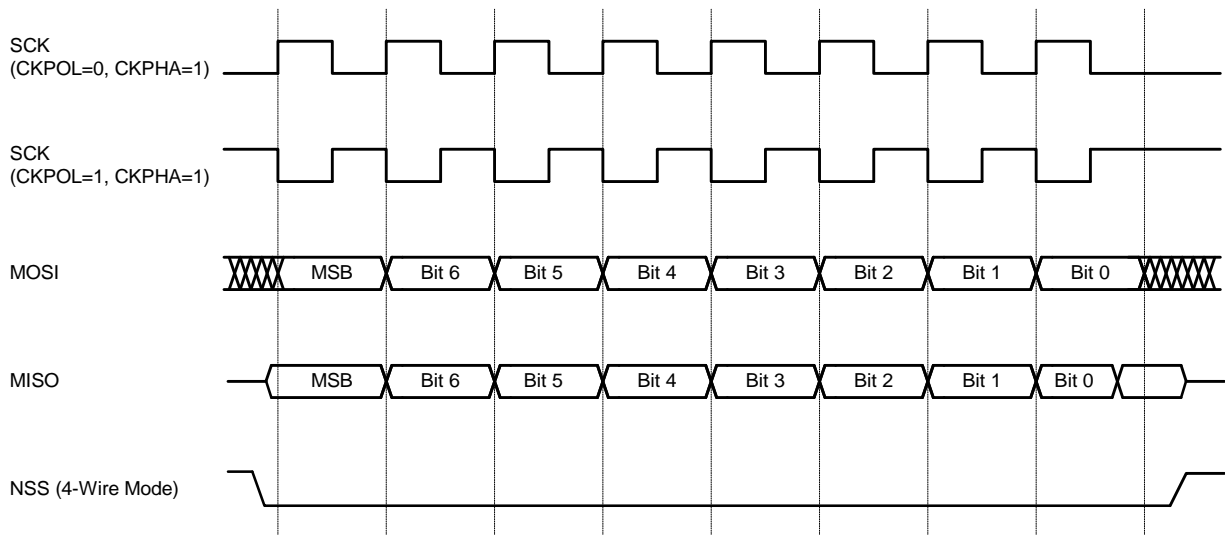


Figure 16.5. Master Mode Data/Clock Timing



**Figure 16.6. Slave Mode Data/Clock Timing (CKPHA = 0)**



**Figure 16.7. Slave Mode Data/Clock Timing (CKPHA = 1)**

# C8051F310/1/2/3/4/5/6/7

## 16.6. SPI Special Function Registers

SPI0 is accessed and controlled through four special function registers in the system controller: SPI0CN Control Register, SPI0DAT Data Register, SPI0CFG Configuration Register, and SPI0CKR Clock Rate Register. The four special function registers related to the operation of the SPI0 Bus are described in the following register definitions.

### SFR Definition 16.1. SPI0CFG: SPI0 Configuration

R	R/W	R/W	R/W	R	R	R	R	Reset Value
SPIBSY	MSTEN	CKPHA	CKPOL	SLVSEL	NSSIN	SRMT	RXBMT	00000111
Bit7	Bit6	Bit5	Bit4	Bit3	Bit2	Bit1	Bit0	
SFR Address: 0xA1								
Bit 7:	SPIBSY: SPI Busy (read only). This bit is set to logic 1 when a SPI transfer is in progress (Master or slave Mode).							
Bit 6:	MSTEN: Master Mode Enable. 0: Disable master mode. Operate in slave mode. 1: Enable master mode. Operate as a master.							
Bit 5:	CKPHA: SPI0 Clock Phase. This bit controls the SPI0 clock phase. 0: Data centered on first edge of SCK period.* 1: Data centered on second edge of SCK period.*							
Bit 4:	CKPOL: SPI0 Clock Polarity. This bit controls the SPI0 clock polarity. 0: SCK line low in idle state. 1: SCK line high in idle state.							
Bit 3:	SLVSEL: Slave Selected Flag (read only). This bit is set to logic 1 whenever the NSS pin is low indicating SPI0 is the selected slave. It is cleared to logic 0 when NSS is high (slave not selected). This bit does not indicate the instantaneous value at the NSS pin, but rather a de-glitched version of the pin input.							
Bit 2:	NSSIN: NSS Instantaneous Pin Input (read only). This bit mimics the instantaneous value that is present on the NSS port pin at the time that the register is read. This input is not de-glitched.							
Bit 1:	SRMT: Shift Register Empty (Valid in Slave Mode, read only). This bit will be set to logic 1 when all data has been transferred in/out of the shift register, and there is no new information available to read from the transmit buffer or write to the receive buffer. It returns to logic 0 when a data byte is transferred to the shift register from the transmit buffer or by a transition on SCK. NOTE: SRMT = 1 when in Master Mode.							
Bit 0:	RXBMT: Receive Buffer Empty (Valid in Slave Mode, read only). This bit will be set to logic 1 when the receive buffer has been read and contains no new information. If there is new information available in the receive buffer that has not been read, this bit will return to logic 0. NOTE: RXBMT = 1 when in Master Mode.							
<b>*Note:</b>	In slave mode, data on MOSI is sampled in the center of each data bit. In master mode, data on MISO is sampled one SYSCLOCK before the end of each data bit, to provide maximum settling time for the slave device. See Table 16.1 for timing parameters.							

## SFR Definition 16.2. SPI0CN: SPI0 Control

	R/W	R/W	R/W	R/W	R/W	R/W	R	R/W	Reset Value
	SPIF	WCOL	MODF	RXOVRN	NSSMD1	NSSMD0	TXBMT	SPIEN	00000110
	Bit7	Bit6	Bit5	Bit4	Bit3	Bit2	Bit1	Bit0	Bit Addressable
	SFR Address: 0xF8								
Bit 7:	<p><b>SPIF: SPI0 Interrupt Flag.</b>            This bit is set to logic 1 by hardware at the end of a data transfer. If interrupts are enabled, setting this bit causes the CPU to vector to the SPI0 interrupt service routine. This bit is not automatically cleared by hardware. It must be cleared by software.</p>								
Bit 6:	<p><b>WCOL: Write Collision Flag.</b>            This bit is set to logic 1 by hardware (and generates a SPI0 interrupt) to indicate a write to the SPI0 data register was attempted while a data transfer was in progress. It must be cleared by software.</p>								
Bit 5:	<p><b>MODF: Mode Fault Flag.</b>            This bit is set to logic 1 by hardware (and generates a SPI0 interrupt) when a master mode collision is detected (NSS is low, MSTEN = 1, and NSSMD[1:0] = 01). This bit is not automatically cleared by hardware. It must be cleared by software.</p>								
Bit 4:	<p><b>RXOVRN: Receive Overrun Flag (Slave Mode only).</b>            This bit is set to logic 1 by hardware (and generates a SPI0 interrupt) when the receive buffer still holds unread data from a previous transfer and the last bit of the current transfer is shifted into the SPI0 shift register. This bit is not automatically cleared by hardware. It must be cleared by software.</p>								
Bits 3–2:	<p><b>NSSMD1–NSSMD0: Slave Select Mode.</b>            Selects between the following NSS operation modes:            (See <a href="#">Section “16.2. SPI0 Master Mode Operation” on page 175</a> and <a href="#">Section “16.3. SPI0 Slave Mode Operation” on page 177</a>).</p> <p>00: 3-Wire Slave or 3-wire Master Mode. NSS signal is not routed to a port pin.            01: 4-Wire Slave or Multi-Master Mode (Default). NSS is always an input to the device.            1x: 4-Wire Single-Master Mode. NSS signal is mapped as an output from the device and will assume the value of NSSMD0.</p>								
Bit 1:	<p><b>TXBMT: Transmit Buffer Empty.</b>            This bit will be set to logic 0 when new data has been written to the transmit buffer. When data in the transmit buffer is transferred to the SPI shift register, this bit will be set to logic 1, indicating that it is safe to write a new byte to the transmit buffer.</p>								
Bit 0:	<p><b>SPIEN: SPI0 Enable.</b>            This bit enables/disables the SPI.            0: SPI disabled.            1: SPI enabled.</p>								

# C8051F310/1/2/3/4/5/6/7

## SFR Definition 16.3. SPI0CKR: SPI0 Clock Rate

R/W	R/W	R/W	R/W	R/W	R/W	R/W	R/W	Reset Value
SCR7	SCR6	SCR5	SCR4	SCR3	SCR2	SCR1	SCR0	00000000
Bit7	Bit6	Bit5	Bit4	Bit3	Bit2	Bit1	Bit0	

SFR Address: 0xA2

Bits 7–0: SCR7–SCR0: SPI0 Clock Rate.  
 These bits determine the frequency of the SCK output when the SPI0 module is configured for master mode operation. The SCK clock frequency is a divided version of the system clock, and is given in the following equation, where *SYSCLK* is the system clock frequency and *SPI0CKR* is the 8-bit value held in the SPI0CKR register.

$$f_{SCK} = \frac{SYSCLK}{2 \times (SPI0CKR + 1)}$$

for  $0 \leq SPI0CKR \leq 255$

Example: If *SYSCLK* = 2 MHz and *SPI0CKR* = 0x04,

$$f_{SCK} = \frac{2000000}{2 \times (4 + 1)}$$

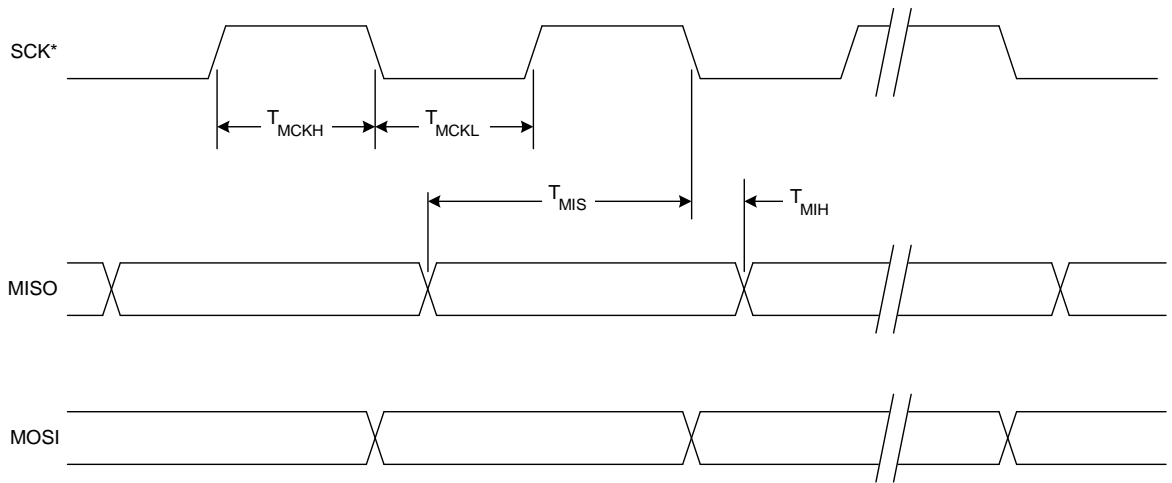
$$f_{SCK} = 200kHz$$

## SFR Definition 16.4. SPI0DAT: SPI0 Data

R/W	R/W	R/W	R/W	R/W	R/W	R/W	R/W	Reset Value
								00000000
Bit7	Bit6	Bit5	Bit4	Bit3	Bit2	Bit1	Bit0	

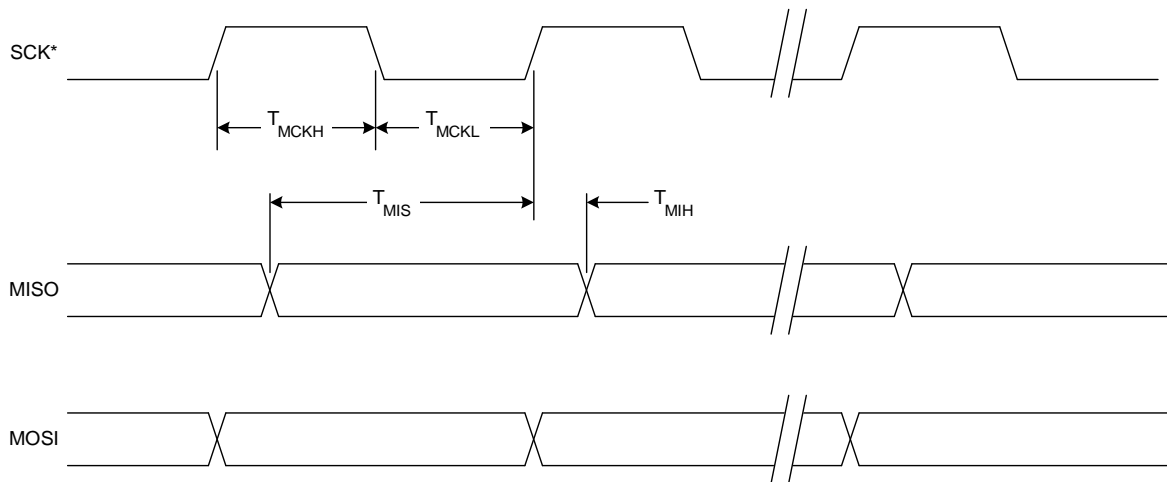
SFR Address: 0xA3

Bits 7–0: SPI0DAT: SPI0 Transmit and Receive Data.  
 The SPI0DAT register is used to transmit and receive SPI0 data. Writing data to SPI0DAT places the data into the transmit buffer and initiates a transfer when in Master Mode. A read of SPI0DAT returns the contents of the receive buffer.



\* SCK is shown for CKPOL = 0. SCK is the opposite polarity for CKPOL = 1.

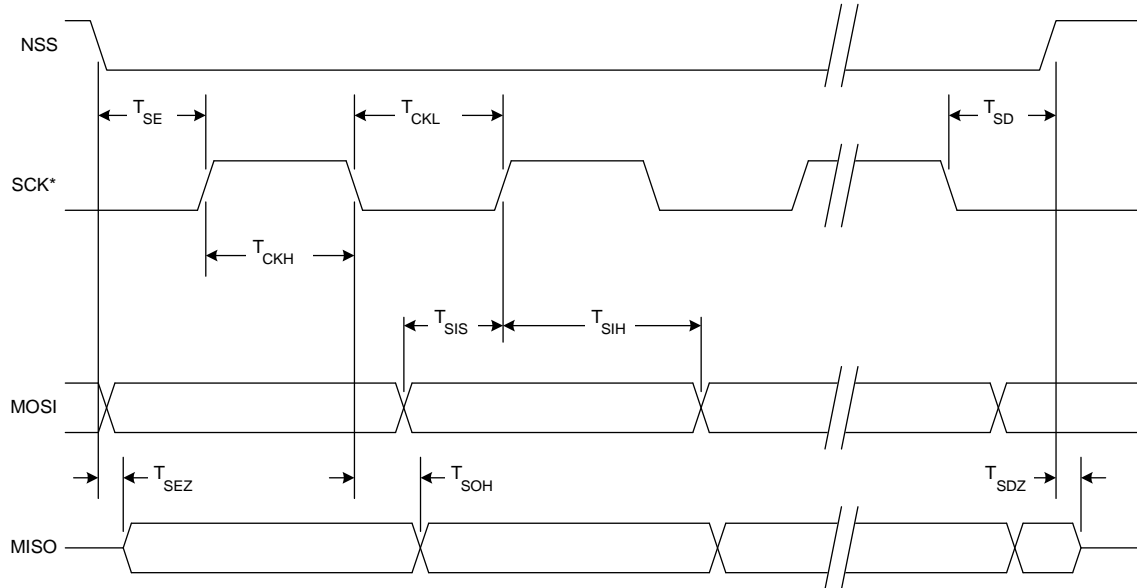
**Figure 16.8. SPI Master Timing (CKPHA = 0)**



\* SCK is shown for CKPOL = 0. SCK is the opposite polarity for CKPOL = 1.

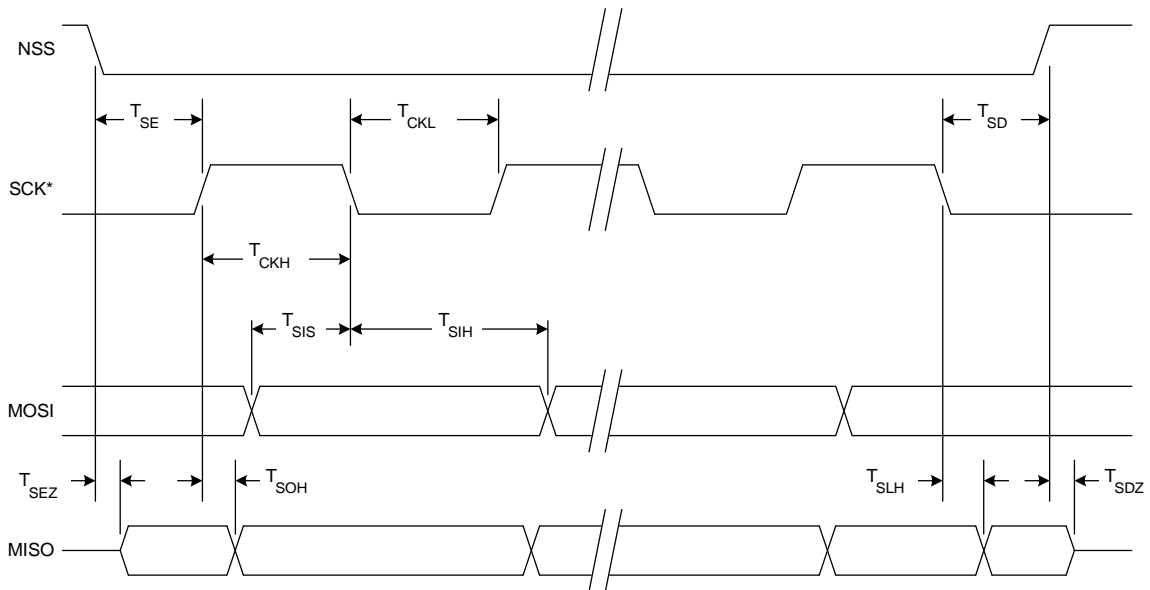
**Figure 16.9. SPI Master Timing (CKPHA = 1)**

# C8051F310/1/2/3/4/5/6/7



\* SCK is shown for CKPOL = 0. SCK is the opposite polarity for CKPOL = 1.

**Figure 16.10. SPI Slave Timing (CKPHA = 0)**



\* SCK is shown for CKPOL = 0. SCK is the opposite polarity for CKPOL = 1.

**Figure 16.11. SPI Slave Timing (CKPHA = 1)**



**Table 16.1. SPI Slave Timing Parameters**

Parameter	Description	Min	Max	Units
<b>Master Mode Timing*</b> (See Figure 16.8 and Figure 16.9)				
$T_{MCKH}$	SCK High Time	$1 \times T_{SYSCLK}$	—	ns
$T_{MCKL}$	SCK Low Time	$1 \times T_{SYSCLK}$	—	ns
$T_{MIS}$	MISO Valid to SCK Shift Edge	$1 \times T_{SYSCLK} + 20$	—	ns
$T_{MIH}$	SCK Shift Edge to MISO Change	0	—	ns
<b>Slave Mode Timing*</b> (See Figure 16.10 and Figure 16.11)				
$T_{SE}$	NSS Falling to First SCK Edge	$2 \times T_{SYSCLK}$	—	ns
$T_{SD}$	Last SCK Edge to NSS Rising	$2 \times T_{SYSCLK}$	—	ns
$T_{SEZ}$	NSS Falling to MISO Valid	—	$4 \times T_{SYSCLK}$	ns
$T_{SDZ}$	NSS Rising to MISO High-Z	—	$4 \times T_{SYSCLK}$	ns
$T_{CKH}$	SCK High Time	$5 \times T_{SYSCLK}$	—	ns
$T_{CKL}$	SCK Low Time	$5 \times T_{SYSCLK}$	—	ns
$T_{SIS}$	MOSI Valid to SCK Sample Edge	$2 \times T_{SYSCLK}$	—	ns
$T_{SIH}$	SCK Sample Edge to MOSI Change	$2 \times T_{SYSCLK}$	—	ns
$T_{SOH}$	SCK Shift Edge to MISO Change	—	$4 \times T_{SYSCLK}$	ns
$T_{SLH}$	Last SCK Edge to MISO Change (CKPHA = 1 ONLY)	$6 \times T_{SYSCLK}$	$8 \times T_{SYSCLK}$	ns
<b>*Note:</b> $T_{SYSCLK}$ is equal to one period of the device system clock (SYSCLK).				

# C8051F310/1/2/3/4/5/6/7

---

NOTES:

## 17. Timers

Each MCU includes four counter/timers: two are 16-bit counter/timers compatible with those found in the standard 8051, and two are 16-bit auto-reload timer for use with the ADC, SMBus, or for general purpose use. These timers can be used to measure time intervals, count external events and generate periodic interrupt requests. Timer 0 and Timer 1 are nearly identical and have four primary modes of operation. Timer 2 and Timer 3 offer 16-bit and split 8-bit timer functionality with auto-reload.

Timer 0 and Timer 1 Modes:	Timer 2 Modes:	Timer 3 Modes:
13-bit counter/timer	16-bit timer with auto-reload	16-bit timer with auto-reload
16-bit counter/timer		
8-bit counter/timer with auto-reload	Two 8-bit timers with auto-reload	Two 8-bit timers with auto-reload
Two 8-bit counter/timers (Timer 0 only)		

Timers 0 and 1 may be clocked by one of five sources, determined by the Timer Mode Select bits (T1M-T0M) and the Clock Scale bits (SCA1-SCA0). The Clock Scale bits define a pre-scaled clock from which Timer 0 and/or Timer 1 may be clocked (See SFR Definition 17.3 for pre-scaled clock selection).

Timer 0/1 may then be configured to use this pre-scaled clock signal or the system clock. Timer 2 and Timer 3 may be clocked by the system clock, the system clock divided by 12, or the external oscillator clock source divided by 8.

Timer 0 and Timer 1 may also be operated as counters. When functioning as a counter, a counter/timer register is incremented on each high-to-low transition at the selected input pin (T0 or T1). Events with a frequency of up to one-fourth the system clock's frequency can be counted. The input signal need not be periodic, but it should be held at a given level for at least two full system clock cycles to ensure the level is properly sampled.

### 17.1. Timer 0 and Timer 1

Each timer is implemented as 16-bit register accessed as two separate bytes: a low byte (TL0 or TL1) and a high byte (TH0 or TH1). The Counter/Timer Control register (TCON) is used to enable Timer 0 and Timer 1 as well as indicate status. Timer 0 interrupts can be enabled by setting the ET0 bit in the IE register (SFR Definition 8.7. "IE: Interrupt Enable" on page 97); Timer 1 interrupts can be enabled by setting the ET1 bit in the IE register. Both counter/timers operate in one of four primary modes selected by setting the Mode Select bits T1M1-T0M0 in the Counter/Timer Mode register (TMOD). Each timer can be configured independently. Each operating mode is described below.

#### 17.1.1. Mode 0: 13-bit Counter/Timer

Timer 0 and Timer 1 operate as 13-bit counter/timers in Mode 0. The following describes the configuration and operation of Timer 0. However, both timers operate identically, and Timer 1 is configured in the same manner as described for Timer 0.

The TH0 register holds the eight MSBs of the 13-bit counter/timer. TL0 holds the five LSBs in bit positions TL0.4–TL0.0. The three upper bits of TL0 (TL0.7–TL0.5) are indeterminate and should be masked out or ignored when reading. As the 13-bit timer register increments and overflows from 0x1FFF (all ones) to 0x0000, the timer overflow flag TF0 (TCON.5) is set and an interrupt will occur if Timer 0 interrupts are enabled.

# C8051F310/1/2/3/4/5/6/7

The C/T0 bit (TMOD.2) selects the counter/timer's clock source. When C/T0 is set to logic 1, high-to-low transitions at the selected Timer 0 input pin (T0) increment the timer register (Refer to [Section "13.1. Priority Crossbar Decoder" on page 131](#) for information on selecting and configuring external I/O pins). Clearing C/T selects the clock defined by the T0M bit (CKCON.3). When T0M is set, Timer 0 is clocked by the system clock. When T0M is cleared, Timer 0 is clocked by the source selected by the Clock Scale bits in CKCON (see SFR Definition 17.3).

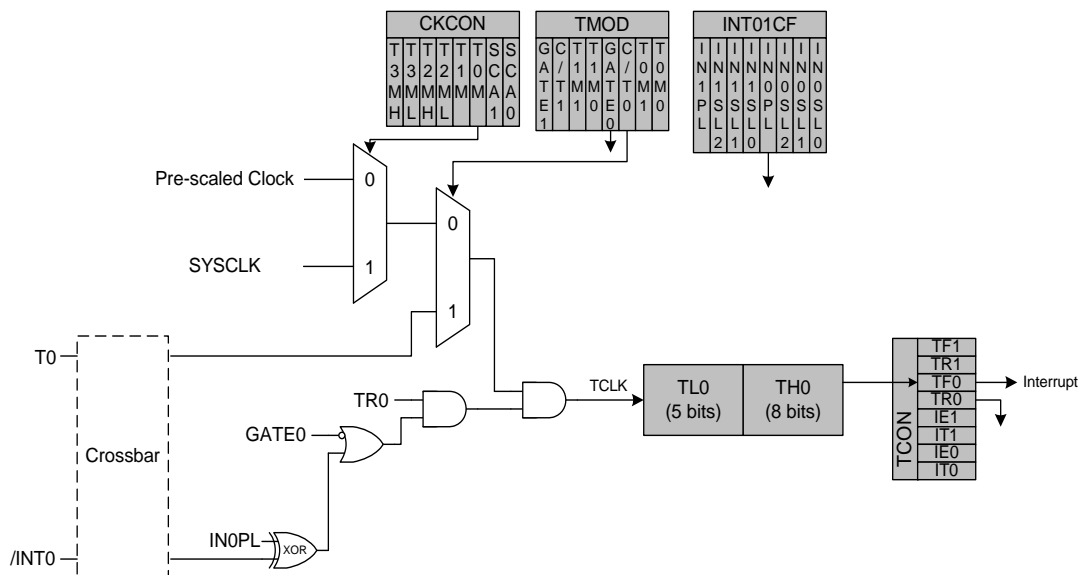
Setting the TR0 bit (TCON.4) enables the timer when either GATE0 (TMOD.3) is logic 0 or the input signal /INT0 is active as defined by bit IN0PL in register IT01CF (see SFR Definition 8.11. "IT01CF: INT0/INT1 Configuration" on page 101). Setting GATE0 to '1' allows the timer to be controlled by the external input signal /INT0 (see [Section "8.3.5. Interrupt Register Descriptions" on page 97](#)), facilitating pulse width measurements.

TR0	GATE0	/INT0	Counter/Timer
0	X	X	Disabled
1	0	X	Enabled
1	1	0	Disabled
1	1	1	Enabled

X = Don't Care

Setting TR0 does not force the timer to reset. The timer registers should be loaded with the desired initial value before the timer is enabled.

TL1 and TH1 form the 13-bit register for Timer 1 in the same manner as described above for TL0 and TH0. Timer 1 is configured and controlled using the relevant TCON and TMOD bits just as with Timer 0. The input signal /INT1 is used with Timer 1; the /INT1 polarity is defined by bit IN1PL in register IT01CF (see SFR Definition 8.11. "IT01CF: INT0/INT1 Configuration" on page 101).



**Figure 17.1. T0 Mode 0 Block Diagram**

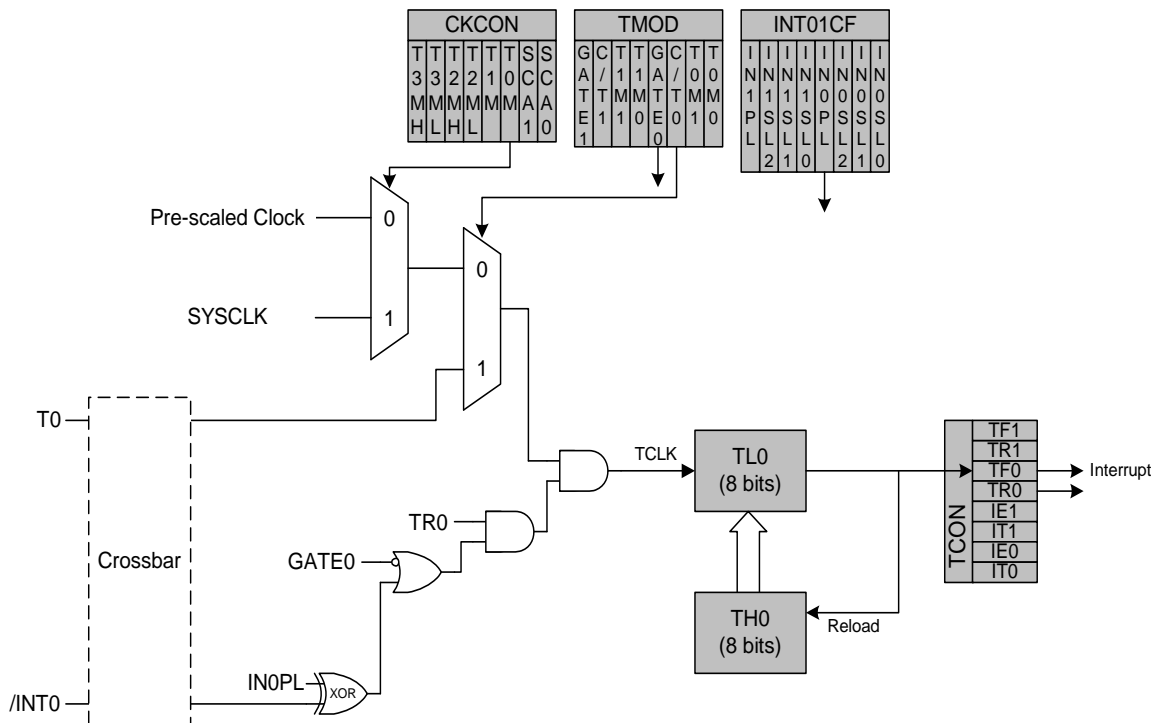
## 17.1.2. Mode 1: 16-bit Counter/Timer

Mode 1 operation is the same as Mode 0, except that the counter/timer registers use all 16 bits. The counter/timers are enabled and configured in Mode 1 in the same manner as for Mode 0.

## 17.1.3. Mode 2: 8-bit Counter/Timer with Auto-Reload

Mode 2 configures Timer 0 and Timer 1 to operate as 8-bit counter/timers with automatic reload of the start value. TL0 holds the count and TH0 holds the reload value. When the counter in TL0 overflows from all ones to 0x00, the timer overflow flag TF0 (TCON.5) is set and the counter in TL0 is reloaded from TH0. If Timer 0 interrupts are enabled, an interrupt will occur when the TF0 flag is set. The reload value in TH0 is not changed. TL0 must be initialized to the desired value before enabling the timer for the first count to be correct. When in Mode 2, Timer 1 operates identically to Timer 0.

Both counter/timers are enabled and configured in Mode 2 in the same manner as Mode 0. Setting the TR0 bit (TCON.4) enables the timer when either GATE0 (TMOD.3) is logic 0 or when the input signal /INT0 is active as defined by bit INOPL in register IT01CF (see [Section “8.3.2. External Interrupts” on page 95](#) for details on the external input signals /INT0 and /INT1).



**Figure 17.2. T0 Mode 2 Block Diagram**

# C8051F310/1/2/3/4/5/6/7

## 17.1.4. Mode 3: Two 8-bit Counter/Timers (Timer 0 Only)

In Mode 3, Timer 0 is configured as two separate 8-bit counter/timers held in TL0 and TH0. The counter/timer in TL0 is controlled using the Timer 0 control/status bits in TCON and TMOD: TR0, C/T0, GATE0 and TF0. TL0 can use either the system clock or an external input signal as its timebase. The TH0 register is restricted to a timer function sourced by the system clock or prescaled clock. TH0 is enabled using the Timer 1 run control bit TR1. TH0 sets the Timer 1 overflow flag TF1 on overflow and thus controls the Timer 1 interrupt.

Timer 1 is inactive in Mode 3. When Timer 0 is operating in Mode 3, Timer 1 can be operated in Modes 0, 1 or 2, but cannot be clocked by external signals nor set the TF1 flag and generate an interrupt. However, the Timer 1 overflow can be used to generate baud rates for the SMBus and/or UART, and/or initiate ADC conversions. While Timer 0 is operating in Mode 3, Timer 1 run control is handled through its mode settings. To run Timer 1 while Timer 0 is in Mode 3, set the Timer 1 Mode as 0, 1, or 2. To disable Timer 1, configure it for Mode 3.

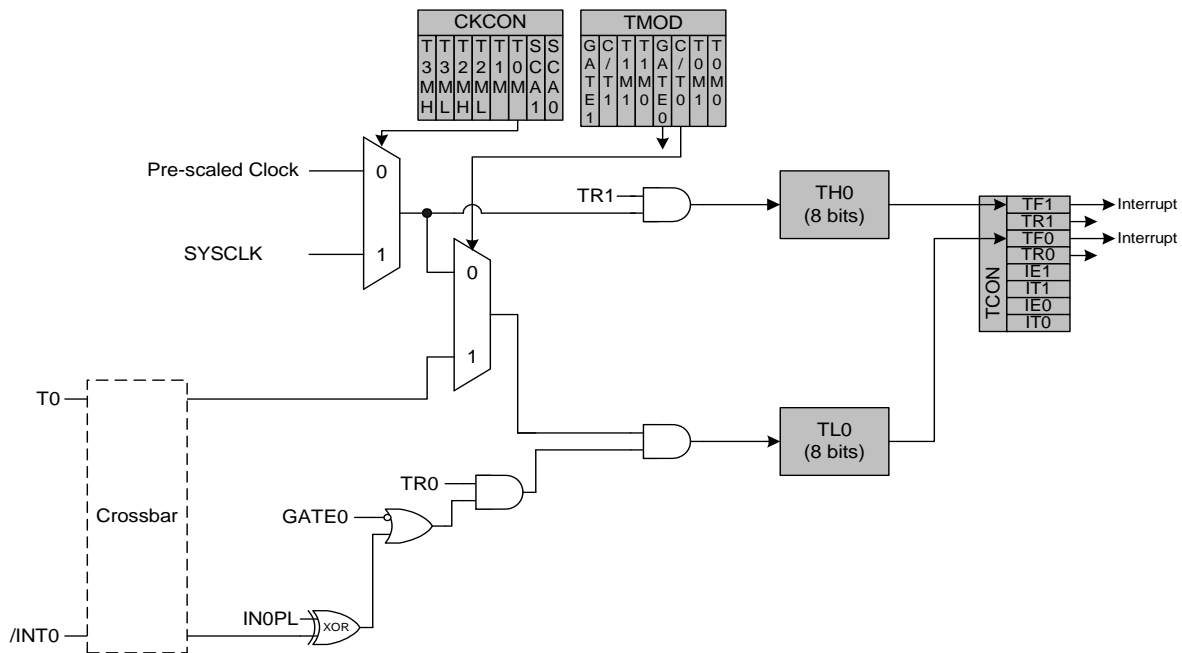


Figure 17.3. T0 Mode 3 Block Diagram

## SFR Definition 17.1. TCON: Timer Control

	R/W	R/W	R/W	R/W	R/W	R/W	R/W	Reset Value	
	TF1	TR1	TF0	TR0	IE1	IT1	IE0	IT0	00000000
	Bit7	Bit6	Bit5	Bit4	Bit3	Bit2	Bit1	Bit0	SFR Address: (bit addressable) 0x88

**Bit7:** TF1: Timer 1 Overflow Flag.  
Set by hardware when Timer 1 overflows. This flag can be cleared by software but is automatically cleared when the CPU vectors to the Timer 1 interrupt service routine.  
0: No Timer 1 overflow detected.  
1: Timer 1 has overflowed.

**Bit6:** TR1: Timer 1 Run Control.  
0: Timer 1 disabled.  
1: Timer 1 enabled.

**Bit5:** TF0: Timer 0 Overflow Flag.  
Set by hardware when Timer 0 overflows. This flag can be cleared by software but is automatically cleared when the CPU vectors to the Timer 0 interrupt service routine.  
0: No Timer 0 overflow detected.  
1: Timer 0 has overflowed.

**Bit4:** TR0: Timer 0 Run Control.  
0: Timer 0 disabled.  
1: Timer 0 enabled.

**Bit3:** IE1: External Interrupt 1.  
This flag is set by hardware when an edge/level of type defined by IT1 is detected. It can be cleared by software but is automatically cleared when the CPU vectors to the External Interrupt 1 service routine if IT1 = 1. When IT1 = 0, this flag is set to '1' when /INT1 is active as defined by bit IN1PL in register IT01CF (see SFR Definition 8.11).

**Bit2:** IT1: Interrupt 1 Type Select.  
This bit selects whether the configured /INT1 interrupt will be edge or level sensitive. /INT1 is configured active low or high by the IN1PL bit in the IT01CF register (see SFR Definition 8.11).  
0: /INT1 is level triggered.  
1: /INT1 is edge triggered.

**Bit1:** IE0: External Interrupt 0.  
This flag is set by hardware when an edge/level of type defined by IT0 is detected. It can be cleared by software but is automatically cleared when the CPU vectors to the External Interrupt 0 service routine if IT0 = 1. When IT0 = 0, this flag is set to '1' when /INT0 is active as defined by bit IN0PL in register IT01CF (see SFR Definition 8.11).

**Bit0:** IT0: Interrupt 0 Type Select.  
This bit selects whether the configured /INT0 interrupt will be edge or level sensitive. /INT0 is configured active low or high by the IN0PL bit in register IT01CF (see SFR Definition 8.11).  
0: /INT0 is level triggered.  
1: /INT0 is edge triggered.

# C8051F310/1/2/3/4/5/6/7

## SFR Definition 17.2. TMOD: Timer Mode

R/W	R/W	R/W	R/W	R/W	R/W	R/W	R/W	Reset Value
GATE1	C/T1	T1M1	T1M0	GATE0	C/T0	T0M1	T0M0	00000000
Bit7	Bit6	Bit5	Bit4	Bit3	Bit2	Bit1	Bit0	SFR Address: 0x89

- Bit7: GATE1: Timer 1 Gate Control.  
0: Timer 1 enabled when TR1 = 1 irrespective of /INT1 logic level.  
1: Timer 1 enabled only when TR1 = 1 AND /INT1 is active as defined by bit IN1PL in register IT01CF (see SFR Definition 8.11).
- Bit6: C/T1: Counter/Timer 1 Select.  
0: Timer Function: Timer 1 incremented by clock defined by T1M bit (CKCON.4).  
1: Counter Function: Timer 1 incremented by high-to-low transitions on external input pin (T1).
- Bits5–4: T1M1–T1M0: Timer 1 Mode Select.  
These bits select the Timer 1 operation mode.

T1M1	T1M0	Mode
0	0	Mode 0: 13-bit counter/timer
0	1	Mode 1: 16-bit counter/timer
1	0	Mode 2: 8-bit counter/timer with auto-reload
1	1	Mode 3: Timer 1 inactive

- Bit3: GATE0: Timer 0 Gate Control.  
0: Timer 0 enabled when TR0 = 1 irrespective of /INT0 logic level.  
1: Timer 0 enabled only when TR0 = 1 AND /INT0 is active as defined by bit IN0PL in register IT01CF (see SFR Definition 8.11).
- Bit2: C/T0: Counter/Timer Select.  
0: Timer Function: Timer 0 incremented by clock defined by T0M bit (CKCON.3).  
1: Counter Function: Timer 0 incremented by high-to-low transitions on external input pin (T0).
- Bits1–0: T0M1–T0M0: Timer 0 Mode Select.  
These bits select the Timer 0 operation mode.

T0M1	T0M0	Mode
0	0	Mode 0: 13-bit counter/timer
0	1	Mode 1: 16-bit counter/timer
1	0	Mode 2: 8-bit counter/timer with auto-reload
1	1	Mode 3: Two 8-bit counter/timers



## SFR Definition 17.3. CKCON: Clock Control

	R/W	R/W	R/W	R/W	R/W	R/W	R/W	Reset Value	
	T3MH	T3ML	T2MH	T2ML	T1M	T0M	SCA1	SCA0	00000000
	Bit7	Bit6	Bit5	Bit4	Bit3	Bit2	Bit1	Bit0	SFR Address: 0x8E
Bit7:	<p><b>T3MH: Timer 3 High Byte Clock Select.</b>                      This bit selects the clock supplied to the Timer 3 high byte if Timer 3 is configured in split 8-bit timer mode. T3MH is ignored if Timer 3 is in any other mode.                      0: Timer 3 high byte uses the clock defined by the T3XCLK bit in TMR3CN.                      1: Timer 3 high byte uses the system clock.</p>								
Bit6:	<p><b>T3ML: Timer 3 Low Byte Clock Select.</b>                      This bit selects the clock supplied to Timer 3. If Timer 3 is configured in split 8-bit timer mode, this bit selects the clock supplied to the lower 8-bit timer.                      0: Timer 3 low byte uses the clock defined by the T3XCLK bit in TMR3CN.                      1: Timer 3 low byte uses the system clock.</p>								
Bit5:	<p><b>T2MH: Timer 2 High Byte Clock Select.</b>                      This bit selects the clock supplied to the Timer 2 high byte if Timer 2 is configured in split 8-bit timer mode. T2MH is ignored if Timer 2 is in any other mode.                      0: Timer 2 high byte uses the clock defined by the T2XCLK bit in TMR2CN.                      1: Timer 2 high byte uses the system clock.</p>								
Bit4:	<p><b>T2ML: Timer 2 Low Byte Clock Select.</b>                      This bit selects the clock supplied to Timer 2. If Timer 2 is configured in split 8-bit timer mode, this bit selects the clock supplied to the lower 8-bit timer.                      0: Timer 2 low byte uses the clock defined by the T2XCLK bit in TMR2CN.                      1: Timer 2 low byte uses the system clock.</p>								
Bit3:	<p><b>T1M: Timer 1 Clock Select.</b>                      This select the clock source supplied to Timer 1. T1M is ignored when C/T1 is set to logic 1.                      0: Timer 1 uses the clock defined by the prescale bits, SCA1-SCA0.                      1: Timer 1 uses the system clock.</p>								
Bit2:	<p><b>T0M: Timer 0 Clock Select.</b>                      This bit selects the clock source supplied to Timer 0. T0M is ignored when C/T0 is set to logic 1.                      0: Counter/Timer 0 uses the clock defined by the prescale bits, SCA1-SCA0.                      1: Counter/Timer 0 uses the system clock.</p>								
Bits1–0:	<p><b>SCA1-SCA0: Timer 0/1 Prescale Bits.</b>                      These bits control the division of the clock supplied to Timer 0 and/or Timer 1 if configured to use prescaled clock inputs.</p>								
	<b>SCA1</b>		<b>SCA0</b>		<b>Prescaled Clock</b>				
	0	0	System clock divided by 12						
	0	1	System clock divided by 4						
	1	0	System clock divided by 48						
	1	1	External clock divided by 8						
	<p><b>Note:</b> External clock divided by 8 is synchronized with the system clock, and the external clock must be less than or equal to the system clock to operate in this mode.</p>								

# C8051F310/1/2/3/4/5/6/7

## SFR Definition 17.4. TL0: Timer 0 Low Byte

R/W	R/W	R/W	R/W	R/W	R/W	R/W	R/W	Reset Value
								00000000
Bit7	Bit6	Bit5	Bit4	Bit3	Bit2	Bit1	Bit0	SFR Address: 0x8A

Bits 7–0: TL0: Timer 0 Low Byte.  
The TL0 register is the low byte of the 16-bit Timer 0.

## SFR Definition 17.5. TL1: Timer 1 Low Byte

R/W	R/W	R/W	R/W	R/W	R/W	R/W	R/W	Reset Value
								00000000
Bit7	Bit6	Bit5	Bit4	Bit3	Bit2	Bit1	Bit0	SFR Address: 0x8B

Bits 7–0: TL1: Timer 1 Low Byte.  
The TL1 register is the low byte of the 16-bit Timer 1.

## SFR Definition 17.6. TH0: Timer 0 High Byte

R/W	R/W	R/W	R/W	R/W	R/W	R/W	R/W	Reset Value
								00000000
Bit7	Bit6	Bit5	Bit4	Bit3	Bit2	Bit1	Bit0	SFR Address: 0x8C

Bits 7–0: TH0: Timer 0 High Byte.  
The TH0 register is the high byte of the 16-bit Timer 0.

## SFR Definition 17.7. TH1: Timer 1 High Byte

R/W	R/W	R/W	R/W	R/W	R/W	R/W	R/W	Reset Value
								00000000
Bit7	Bit6	Bit5	Bit4	Bit3	Bit2	Bit1	Bit0	SFR Address: 0x8D

Bits 7–0: TH1: Timer 1 High Byte.  
The TH1 register is the high byte of the 16-bit Timer 1.

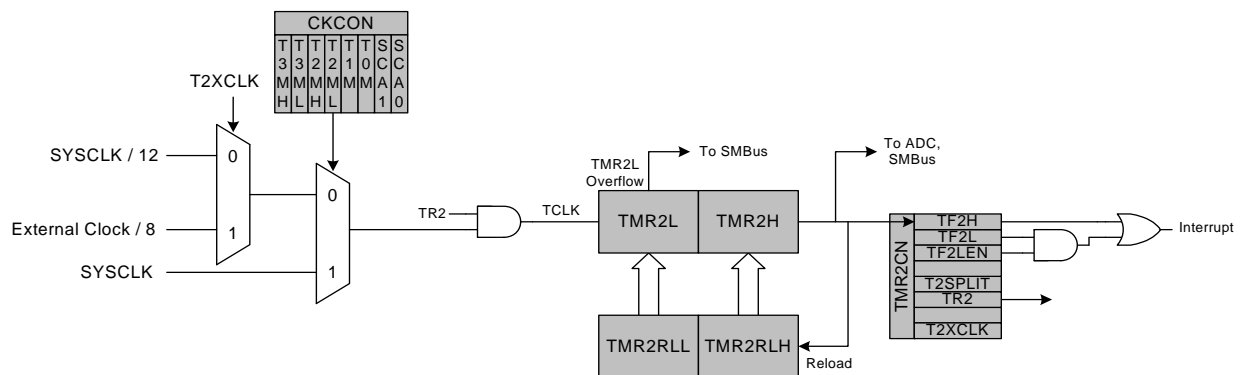
## 17.2. Timer 2

Timer 2 is a 16-bit timer formed by two 8-bit SFRs: TMR2L (low byte) and TMR2H (high byte). Timer 2 may operate in 16-bit auto-reload mode or (split) 8-bit auto-reload mode. The T2SPLIT bit (TMR2CN.3) defines the Timer 2 operation mode.

Timer 2 may be clocked by the system clock, the system clock divided by 12, or the external oscillator source divided by 8. The external clock mode is ideal for real-time clock (RTC) functionality, where the internal oscillator drives the system clock while Timer 2 (and/or the PCA) is clocked by an external precision oscillator. Note that the external oscillator source divided by 8 is synchronized with the system clock.

### 17.2.1. 16-bit Timer with Auto-Reload

When T2SPLIT (TMR2CN.3) is zero, Timer 2 operates as a 16-bit timer with auto-reload. Timer 2 can be clocked by SYSCLK, SYSCLK divided by 12, or the external oscillator clock source divided by 8. As the 16-bit timer register increments and overflows from 0xFFFF to 0x0000, the 16-bit value in the Timer 2 reload registers (TMR2RLL and TMR2RLH) is loaded into the Timer 2 register as shown in Figure 17.4, and the Timer 2 High Byte Overflow Flag (TMR2CN.7) is set. If Timer 2 interrupts are enabled (if IE.5 is set), an interrupt will be generated on each Timer 2 overflow. Additionally, if Timer 2 interrupts are enabled and the TF2LEN bit is set (TMR2CN.5), an interrupt will be generated each time the lower 8 bits (TMR2L) overflow from 0xFF to 0x00.



**Figure 17.4. Timer 2 16-Bit Mode Block Diagram**

# C8051F310/1/2/3/4/5/6/7

## 17.2.2. 8-bit Timers with Auto-Reload

When T2SPLIT is set, Timer 2 operates as two 8-bit timers (TMR2H and TMR2L). Both 8-bit timers operate in auto-reload mode as shown in Figure 17.5. TMR2RLL holds the reload value for TMR2L; TMR2RLH holds the reload value for TMR2H. The TR2 bit in TMR2CN handles the run control TMR2H. TMR2L is always running when configured for 8-bit Mode.

Each 8-bit timer may be configured to use SYSCLK, SYSCLK divided by 12, or the external oscillator clock source divided by 8. The Timer 2 Clock Select bits (T2MH and T2ML in CKCON) select either SYSCLK or the clock defined by the Timer 2 External Clock Select bit (T2XCLK in TMR2CN), as follows:

T2MH	T2XCLK	TMR2H Clock Source
0	0	SYSCLK/12
0	1	External Clock/8
1	X	SYSCLK

T2ML	T2XCLK	TMR2L Clock Source
0	0	SYSCLK/12
0	1	External Clock/8
1	X	SYSCLK

Note: External clock divided by 8 is synchronized with the system clock, and the external clock must be less than or equal to the system clock to operate in this mode.

The TF2H bit is set when TMR2H overflows from 0xFF to 0x00; the TF2L bit is set when TMR2L overflows from 0xFF to 0x00. When Timer 2 interrupts are enabled (IE.5), an interrupt is generated each time TMR2H overflows. If Timer 2 interrupts are enabled and TF2LEN (TMR2CN.5) is set, an interrupt is generated each time either TMR2L or TMR2H overflows. When TF2LEN is enabled, software must check the TF2H and TF2L flags to determine the source of the Timer 2 interrupt. The TF2H and TF2L interrupt flags are not cleared by hardware and must be manually cleared by software.

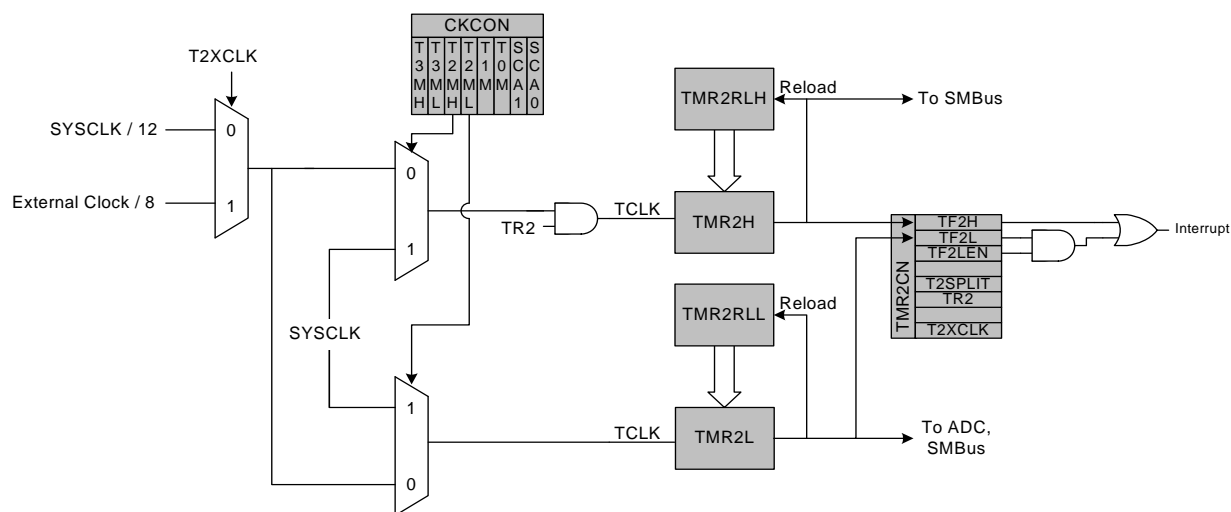


Figure 17.5. Timer 2 8-Bit Mode Block Diagram

## SFR Definition 17.8. TMR2CN: Timer 2 Control

R/W	R/W	R/W	R/W	R/W	R/W	R/W	R/W	Reset Value
TF2H	TF2L	TF2LEN	-	T2SPLIT	TR2	-	T2XCLK	00000000
Bit7	Bit6	Bit5	Bit4	Bit3	Bit2	Bit1	Bit0	SFR Address: (bit addressable) 0xC8

**Bit7:** TF2H: Timer 2 High Byte Overflow Flag.  
 Set by hardware when the Timer 2 high byte overflows from 0xFF to 0x00. In 16 bit mode, this will occur when Timer 2 overflows from 0xFFFF to 0x0000. When the Timer 2 interrupt is enabled, setting this bit causes the CPU to vector to the Timer 2 interrupt service routine. TF2H is not automatically cleared by hardware and must be cleared by software.

**Bit6:** TF2L: Timer 2 Low Byte Overflow Flag.  
 Set by hardware when the Timer 2 low byte overflows from 0xFF to 0x00. When this bit is set, an interrupt will be generated if TF2LEN is set and Timer 2 interrupts are enabled. TF2L will set when the low byte overflows regardless of the Timer 2 mode. This bit is not automatically cleared by hardware.

**Bit5:** TF2LEN: Timer 2 Low Byte Interrupt Enable.  
 This bit enables/disables Timer 2 Low Byte interrupts. If TF2LEN is set and Timer 2 interrupts are enabled, an interrupt will be generated when the low byte of Timer 2 overflows. This bit should be cleared when operating Timer 2 in 16-bit mode.  
 0: Timer 2 Low Byte interrupts disabled.  
 1: Timer 2 Low Byte interrupts enabled.

**Bit4:** UNUSED. Read = 0b. Write = don't care.

**Bit3:** T2SPLIT: Timer 2 Split Mode Enable.  
 When this bit is set, Timer 2 operates as two 8-bit timers with auto-reload.  
 0: Timer 2 operates in 16-bit auto-reload mode.  
 1: Timer 2 operates as two 8-bit auto-reload timers.

**Bit2:** TR2: Timer 2 Run Control.  
 This bit enables/disables Timer 2. In 8-bit mode, this bit enables/disables TMR2H only; TMR2L is always enabled in this mode.  
 0: Timer 2 disabled.  
 1: Timer 2 enabled.

**Bit1:** UNUSED. Read = 0b. Write = don't care.

**Bit0:** T2XCLK: Timer 2 External Clock Select.  
 This bit selects the external clock source for Timer 2. If Timer 2 is in 8-bit mode, this bit selects the external oscillator clock source for both timer bytes. However, the Timer 2 Clock Select bits (T2MH and T2ML in register CKCON) may still be used to select between the external clock and the system clock for either timer.  
 0: Timer 2 external clock selection is the system clock divided by 12.  
 1: Timer 2 external clock selection is the external clock divided by 8. Note that the external oscillator source divided by 8 is synchronized with the system clock.

# C8051F310/1/2/3/4/5/6/7

## SFR Definition 17.9. TMR2RLL: Timer 2 Reload Register Low Byte

R/W	R/W	R/W	R/W	R/W	R/W	R/W	R/W	Reset Value
								00000000
Bit7	Bit6	Bit5	Bit4	Bit3	Bit2	Bit1	Bit0	SFR Address: 0xCA

Bits 7–0: TMR2RLL: Timer 2 Reload Register Low Byte.  
TMR2RLL holds the low byte of the reload value for Timer 2.

## SFR Definition 17.10. TMR2RLH: Timer 2 Reload Register High Byte

R/W	R/W	R/W	R/W	R/W	R/W	R/W	R/W	Reset Value
								00000000
Bit7	Bit6	Bit5	Bit4	Bit3	Bit2	Bit1	Bit0	SFR Address: 0xCB

Bits 7–0: TMR2RLH: Timer 2 Reload Register High Byte.  
The TMR2RLH holds the high byte of the reload value for Timer 2.

## SFR Definition 17.11. TMR2L: Timer 2 Low Byte

R/W	R/W	R/W	R/W	R/W	R/W	R/W	R/W	Reset Value
								00000000
Bit7	Bit6	Bit5	Bit4	Bit3	Bit2	Bit1	Bit0	SFR Address: 0xCC

Bits 7–0: TMR2L: Timer 2 Low Byte.  
In 16-bit mode, the TMR2L register contains the low byte of the 16-bit Timer 2. In 8-bit mode, TMR2L contains the 8-bit low byte timer value.

## SFR Definition 17.12. TMR2H Timer 2 High Byte

R/W	R/W	R/W	R/W	R/W	R/W	R/W	R/W	Reset Value
								00000000
Bit7	Bit6	Bit5	Bit4	Bit3	Bit2	Bit1	Bit0	SFR Address: 0xCD

Bits 7–0: TMR2H: Timer 2 High Byte.  
In 16-bit mode, the TMR2H register contains the high byte of the 16-bit Timer 2. In 8-bit mode, TMR2H contains the 8-bit high byte timer value.

## 17.3. Timer 3

Timer 3 is a 16-bit timer formed by two 8-bit SFRs: TMR3L (low byte) and TMR3H (high byte). Timer 3 may operate in 16-bit auto-reload mode or (split) 8-bit auto-reload mode. The T3SPLIT bit (TMR3CN.3) defines the Timer 3 operation mode.

Timer 3 may be clocked by the system clock, the system clock divided by 12, or the external oscillator source divided by 8. The external clock mode is ideal for real-time clock (RTC) functionality, where the internal oscillator drives the system clock while Timer 3 (and/or the PCA) is clocked by an external precision oscillator. Note that the external oscillator source divided by 8 is synchronized with the system clock.

### 17.3.1. 16-bit Timer with Auto-Reload

When T3SPLIT (TMR3CN.3) is zero, Timer 3 operates as a 16-bit timer with auto-reload. Timer 3 can be clocked by SYSCLK, SYSCLK divided by 12, or the external oscillator clock source divided by 8. As the 16-bit timer register increments and overflows from 0xFFFF to 0x0000, the 16-bit value in the Timer 3 reload registers (TMR3RLH and TMR3RLL) is loaded into the Timer 3 register as shown in Figure 17.4, and the Timer 3 High Byte Overflow Flag (TMR3CN.7) is set. If Timer 3 interrupts are enabled, an interrupt will be generated on each Timer 3 overflow. Additionally, if Timer 3 interrupts are enabled and the TF3LEN bit is set (TMR3CN.5), an interrupt will be generated each time the lower 8 bits (TMR3L) overflow from 0xFF to 0x00.

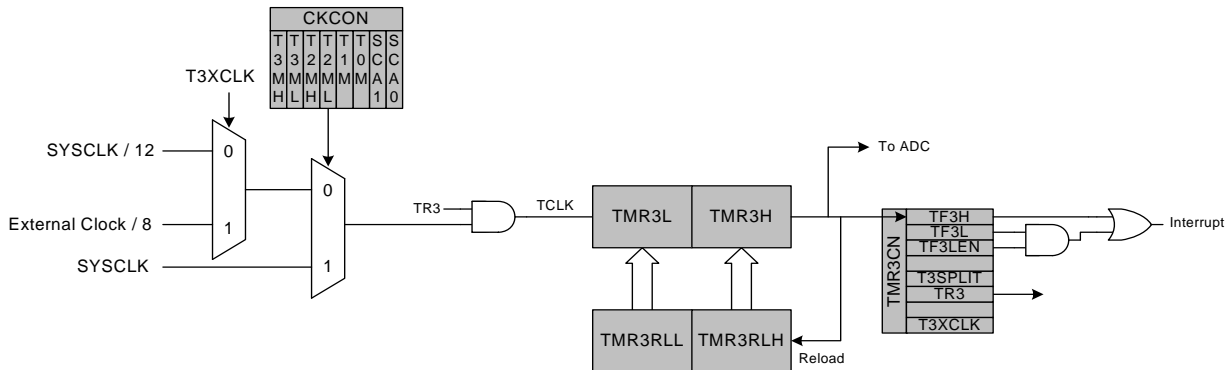


Figure 17.6. Timer 3 16-Bit Mode Block Diagram

# C8051F310/1/2/3/4/5/6/7

## 17.3.2. 8-bit Timers with Auto-Reload

When T3SPLIT is set, Timer 3 operates as two 8-bit timers (TMR3H and TMR3L). Both 8-bit timers operate in auto-reload mode as shown in Figure 17.5. TMR3RLL holds the reload value for TMR3L; TMR3RLH holds the reload value for TMR3H. The TR3 bit in TMR3CN handles the run control TMR3H. TMR3L is always running when configured for 8-bit Mode.

Each 8-bit timer may be configured to use SYSCLK, SYSCLK divided by 12, or the external oscillator clock source divided by 8. The Timer 3 Clock Select bits (T3MH and T3ML in CKCON) select either SYSCLK or the clock defined by the Timer 3 External Clock Select bit (T3XCLK in TMR3CN), as follows:

T3MH	T3XCLK	TMR3H Clock Source
0	0	SYSCLK/12
0	1	External Clock/8
1	X	SYSCLK

T3ML	T3XCLK	TMR3L Clock Source
0	0	SYSCLK/12
0	1	External Clock/8
1	X	SYSCLK

Note: External clock divided by 8 is synchronized with the system clock, and the external clock must be less than or equal to the system clock to operate in this mode.

The TF3H bit is set when TMR3H overflows from 0xFF to 0x00; the TF3L bit is set when TMR3L overflows from 0xFF to 0x00. When Timer 3 interrupts are enabled, an interrupt is generated each time TMR3H overflows. If Timer 3 interrupts are enabled and TF3LEN (TMR3CN.5) is set, an interrupt is generated each time either TMR3L or TMR3H overflows. When TF3LEN is enabled, software must check the TF3H and TF3L flags to determine the source of the Timer 3 interrupt. The TF3H and TF3L interrupt flags are not cleared by hardware and must be manually cleared by software.

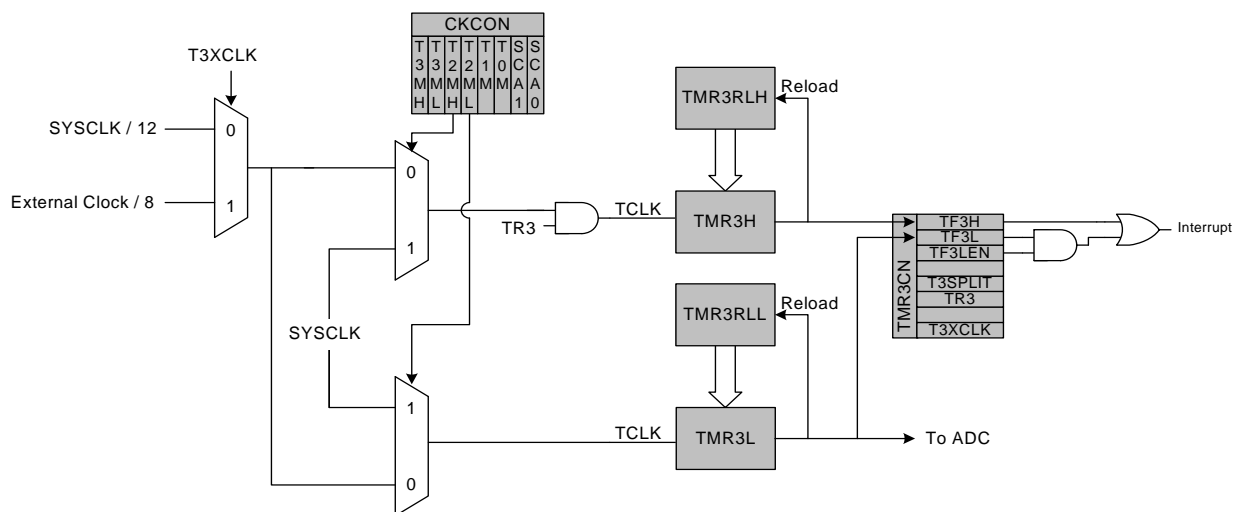


Figure 17.7. Timer 3 8-Bit Mode Block Diagram



## SFR Definition 17.13. TMR3CN: Timer 3 Control

R/W	R/W	R/W	R/W	R/W	R/W	R/W	R/W	Reset Value
TF3H	TF3L	TF3LEN	-	T3SPLIT	TR3	-	T3XCLK	00000000
Bit7	Bit6	Bit5	Bit4	Bit3	Bit2	Bit1	Bit0	SFR Address: 0x91

Bit7:      TF3H: Timer 3 High Byte Overflow Flag.  
Set by hardware when the Timer 3 high byte overflows from 0xFF to 0x00. In 16 bit mode, this will occur when Timer 3 overflows from 0xFFFF to 0x0000. When the Timer 3 interrupt is enabled, setting this bit causes the CPU to vector to the Timer 3 interrupt service routine. TF3H is not automatically cleared by hardware and must be cleared by software.

Bit6:      TF3L: Timer 3 Low Byte Overflow Flag.  
Set by hardware when the Timer 3 low byte overflows from 0xFF to 0x00. When this bit is set, an interrupt will be generated if TF3LEN is set and Timer 3 interrupts are enabled. TF3L will set when the low byte overflows regardless of the Timer 3 mode. This bit is not automatically cleared by hardware.

Bit5:      TF3LEN: Timer 3 Low Byte Interrupt Enable.  
This bit enables/disables Timer 3 Low Byte interrupts. If TF3LEN is set and Timer 3 interrupts are enabled, an interrupt will be generated when the low byte of Timer 3 overflows. This bit should be cleared when operating Timer 3 in 16-bit mode.  
0: Timer 3 Low Byte interrupts disabled.  
1: Timer 3 Low Byte interrupts enabled.

Bit4:      UNUSED. Read = 0b. Write = don't care.

Bit3:      T3SPLIT: Timer 3 Split Mode Enable.  
When this bit is set, Timer 3 operates as two 8-bit timers with auto-reload.  
0: Timer 3 operates in 16-bit auto-reload mode.  
1: Timer 3 operates as two 8-bit auto-reload timers.

Bit2:      TR3: Timer 3 Run Control.  
This bit enables/disables Timer 3. In 8-bit mode, this bit enables/disables TMR3H only; TMR3L is always enabled in this mode.  
0: Timer 3 disabled.  
1: Timer 3 enabled.

Bit1:      UNUSED. Read = 0b. Write = don't care.

Bit0:      T3XCLK: Timer 3 External Clock Select.  
This bit selects the external clock source for Timer 3. If Timer 3 is in 8-bit mode, this bit selects the external oscillator clock source for both timer bytes. However, the Timer 3 Clock Select bits (T3MH and T3ML in register CKCON) may still be used to select between the external clock and the system clock for either timer.  
0: Timer 3 external clock selection is the system clock divided by 12.  
1: Timer 3 external clock selection is the external clock divided by 8. Note that the external oscillator source divided by 8 is synchronized with the system clock.

# C8051F310/1/2/3/4/5/6/7

## SFR Definition 17.14. TMR3RLL: Timer 3 Reload Register Low Byte

R/W	R/W	R/W	R/W	R/W	R/W	R/W	R/W	Reset Value
								00000000
Bit7	Bit6	Bit5	Bit4	Bit3	Bit2	Bit1	Bit0	SFR Address: 0x92

Bits 7–0: TMR3RLL: Timer 3 Reload Register Low Byte.  
TMR3RLL holds the low byte of the reload value for Timer 3.

## SFR Definition 17.15. TMR3RLH: Timer 3 Reload Register High Byte

R/W	R/W	R/W	R/W	R/W	R/W	R/W	R/W	Reset Value
								00000000
Bit7	Bit6	Bit5	Bit4	Bit3	Bit2	Bit1	Bit0	SFR Address: 0x93

Bits 7–0: TMR3RLH: Timer 3 Reload Register High Byte.  
The TMR3RLH holds the high byte of the reload value for Timer 3.

## SFR Definition 17.16. TMR3L: Timer 3 Low Byte

R/W	R/W	R/W	R/W	R/W	R/W	R/W	R/W	Reset Value
								00000000
Bit7	Bit6	Bit5	Bit4	Bit3	Bit2	Bit1	Bit0	SFR Address: 0x94

Bits 7–0: TMR3L: Timer 3 Low Byte.  
In 16-bit mode, the TMR3L register contains the low byte of the 16-bit Timer 3. In 8-bit mode, TMR3L contains the 8-bit low byte timer value.

## SFR Definition 17.17. TMR3H Timer 3 High Byte

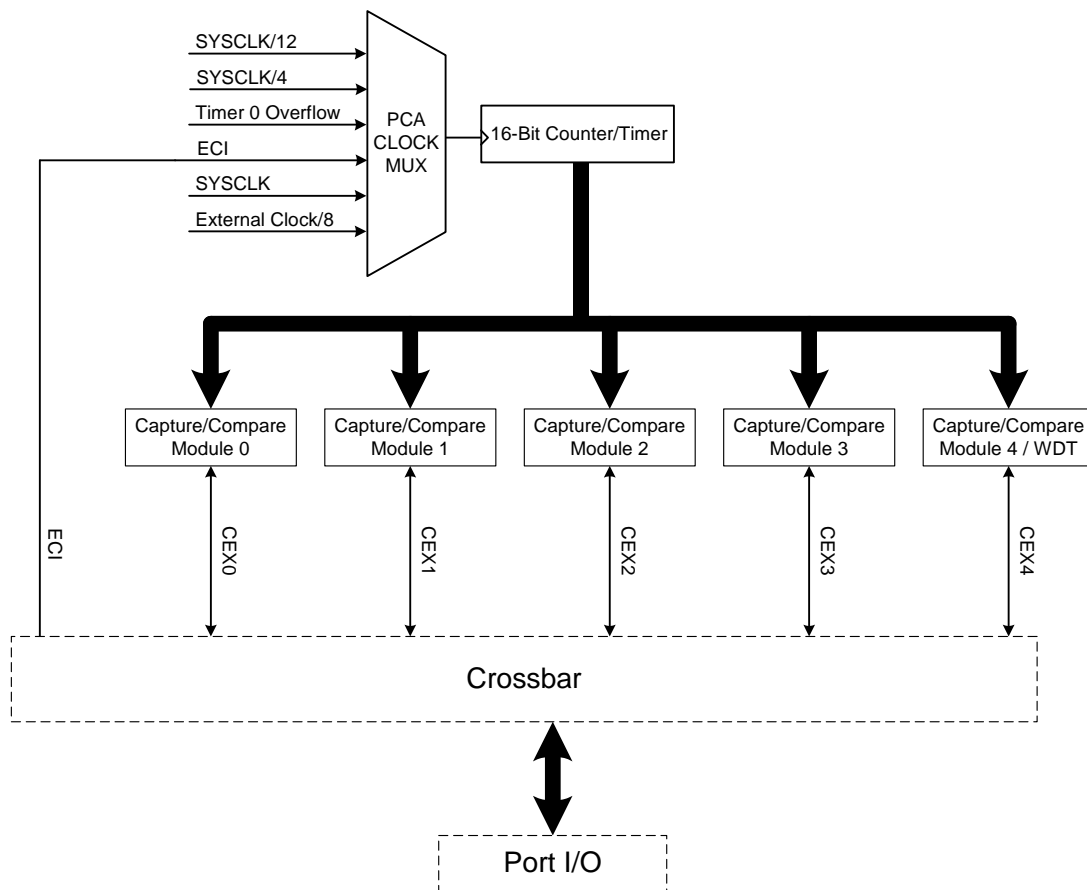
R/W	R/W	R/W	R/W	R/W	R/W	R/W	R/W	Reset Value
								00000000
Bit7	Bit6	Bit5	Bit4	Bit3	Bit2	Bit1	Bit0	SFR Address: 0x95

Bits 7–0: TMR3H: Timer 3 High Byte.  
In 16-bit mode, the TMR3H register contains the high byte of the 16-bit Timer 3. In 8-bit mode, TMR3H contains the 8-bit high byte timer value.

## 18. Programmable Counter Array

The Programmable Counter Array (PCA0) provides enhanced timer functionality while requiring less CPU intervention than the standard 8051 counter/timers. The PCA consists of a dedicated 16-bit counter/timer and five 16-bit capture/compare modules. Each capture/compare module has its own associated I/O line (CEXn) which is routed through the Crossbar to Port I/O when enabled (See [Section “13.1. Priority Crossbar Decoder” on page 131](#) for details on configuring the Crossbar). The counter/timer is driven by a programmable timebase that can select between six sources: system clock, system clock divided by four, system clock divided by twelve, the external oscillator clock source divided by 8, Timer 0 overflow, or an external clock signal on the ECI input pin. Each capture/compare module may be configured to operate independently in one of six modes: Edge-Triggered Capture, Software Timer, High-Speed Output, Frequency Output, 8-Bit PWM, or 16-Bit PWM (each mode is described in [Section “18.2. Capture/Compare Modules” on page 205](#)). The external oscillator clock option is ideal for real-time clock (RTC) functionality, allowing the PCA to be clocked by a precision external oscillator while the internal oscillator drives the system clock. The PCA is configured and controlled through the system controller's Special Function Registers. The PCA block diagram is shown in Figure 18.1

**Important Note:** The PCA Module 4 may be used as a watchdog timer (WDT), and is enabled in this mode following a system reset. Access to certain PCA registers is restricted while WDT mode is enabled. See [Section 18.3](#) for details.



**Figure 18.1. PCA Block Diagram**

# C8051F310/1/2/3/4/5/6/7

## 18.1. PCA Counter/Timer

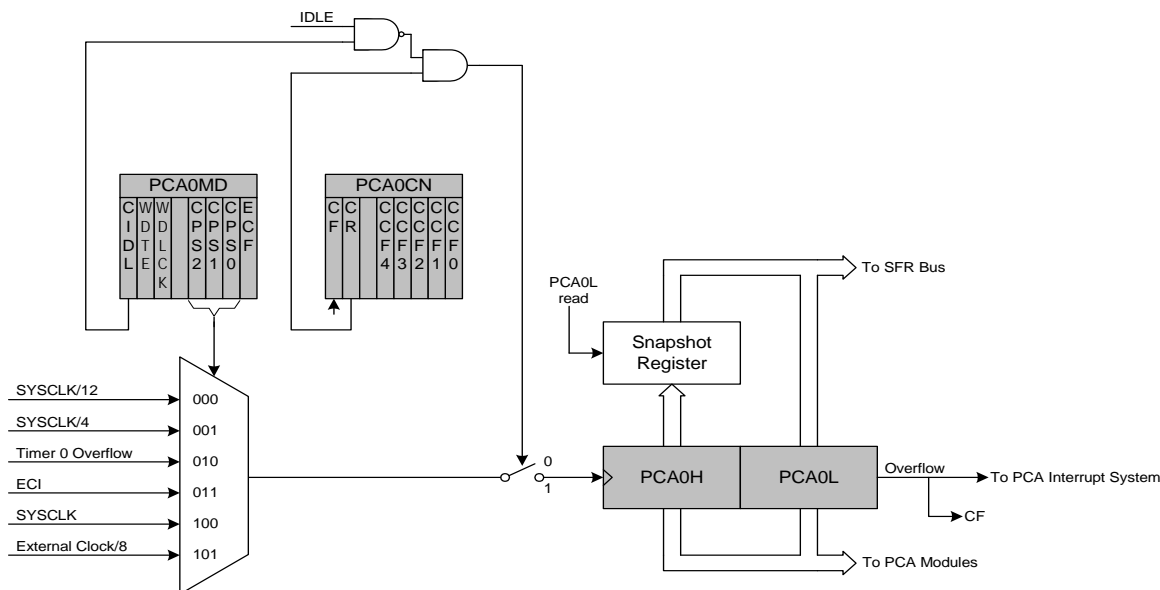
The 16-bit PCA counter/timer consists of two 8-bit SFRs: PCA0H and PCA0L. PCA0H is the high byte (MSB) of the 16-bit counter/timer and PCA0L is the low byte (LSB). Reading PCA0L automatically latches the value of PCA0H into a “snapshot” register; the following PCA0H read accesses this “snapshot” register. **Reading the PCA0L Register first guarantees an accurate reading of the entire 16-bit PCA0 counter.** Reading PCA0H or PCA0L does not disturb the counter operation. The CPS2-CPS0 bits in the PCA0MD register select the timebase for the counter/timer as shown in Table 18.1. **Note that in ‘External oscillator source divided by 8’ mode, the external oscillator source is synchronized with the system clock, and must have a frequency less than or equal to the system clock.**

When the counter/timer overflows from 0xFFFF to 0x0000, the Counter Overflow Flag (CF) in PCA0MD is set to logic 1 and an interrupt request is generated if CF interrupts are enabled. Setting the ECF bit in PCA0MD to logic 1 enables the CF flag to generate an interrupt request. The CF bit is not automatically cleared by hardware when the CPU vectors to the interrupt service routine, and must be cleared by software (Note: PCA0 interrupts must be globally enabled before CF interrupts are recognized. PCA0 interrupts are globally enabled by setting the EA bit (IE.7) and the EPCA0 bit in EIE1 to logic 1). Clearing the CIDL bit in the PCA0MD register allows the PCA to continue normal operation while the CPU is in Idle mode.

**Table 18.1. PCA Timebase Input Options**

CPS2	CPS1	CPS0	Timebase
0	0	0	System clock divided by 12
0	0	1	System clock divided by 4
0	1	0	Timer 0 overflow
0	1	1	High-to-low transitions on ECI (max rate = system clock divided by 4)
1	0	0	System clock
1	0	1	External oscillator source divided by 8*

**\*Note:** External oscillator source divided by 8 is synchronized with the system clock.



**Figure 18.2. PCA Counter/Timer Block Diagram**

## 18.2. Capture/Compare Modules

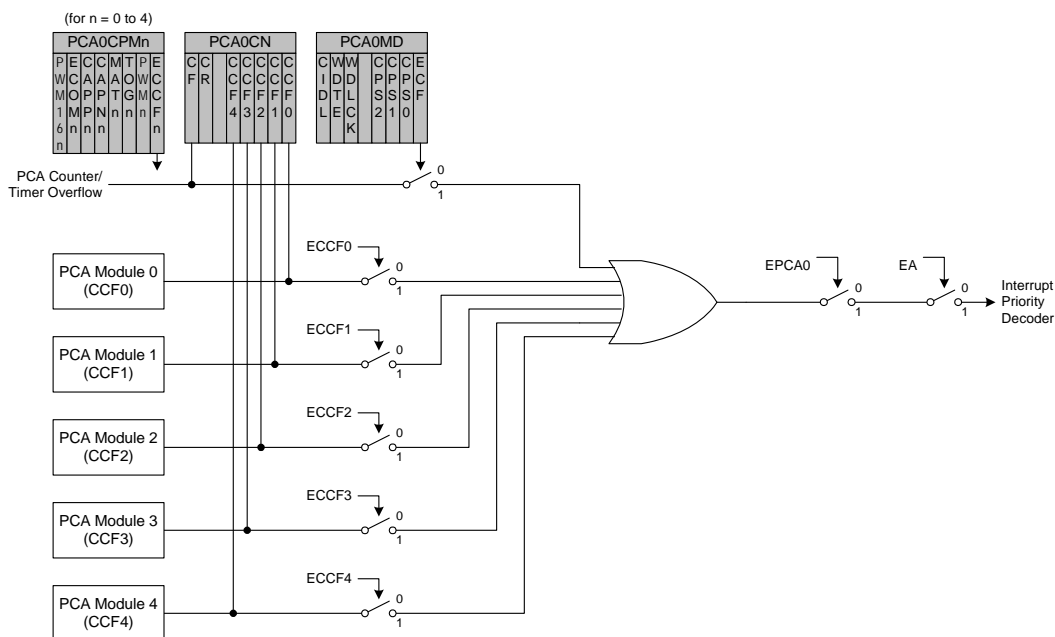
Each module can be configured to operate independently in one of six operation modes: Edge-triggered Capture, Software Timer, High Speed Output, Frequency Output, 8-Bit Pulse Width Modulator, or 16-Bit Pulse Width Modulator. Each module has Special Function Registers (SFRs) associated with it in the CIP-51 system controller. These registers are used to exchange data with a module and configure the module's mode of operation.

Table 18.2 summarizes the bit settings in the PCA0CPMn registers used to select the PCA capture/compare module's operating modes. Setting the ECCFn bit in a PCA0CPMn register enables the module's CCFn interrupt. Note: PCA0 interrupts must be globally enabled before individual CCFn interrupts are recognized. PCA0 interrupts are globally enabled by setting the EA bit and the EPCA0 bit to logic 1. See Figure 18.3 for details on the PCA interrupt configuration.

**Table 18.2. PCA0CPM Register Settings for PCA Capture/Compare Modules**

PWM16	ECOM	CAPP	CAPN	MAT	TOG	PWM	ECCF	Operation Mode
X	X	1	0	0	0	0	X	Capture triggered by positive edge on CEXn
X	X	0	1	0	0	0	X	Capture triggered by negative edge on CEXn
X	X	1	1	0	0	0	X	Capture triggered by transition on CEXn
X	1	0	0	1	0	0	X	Software Timer
X	1	0	0	1	1	0	X	High Speed Output
X	1	0	0	X	1	1	X	Frequency Output
0	1	0	0	X	0	1	X	8-Bit Pulse Width Modulator
1	1	0	0	X	0	1	X	16-Bit Pulse Width Modulator

X = Don't Care

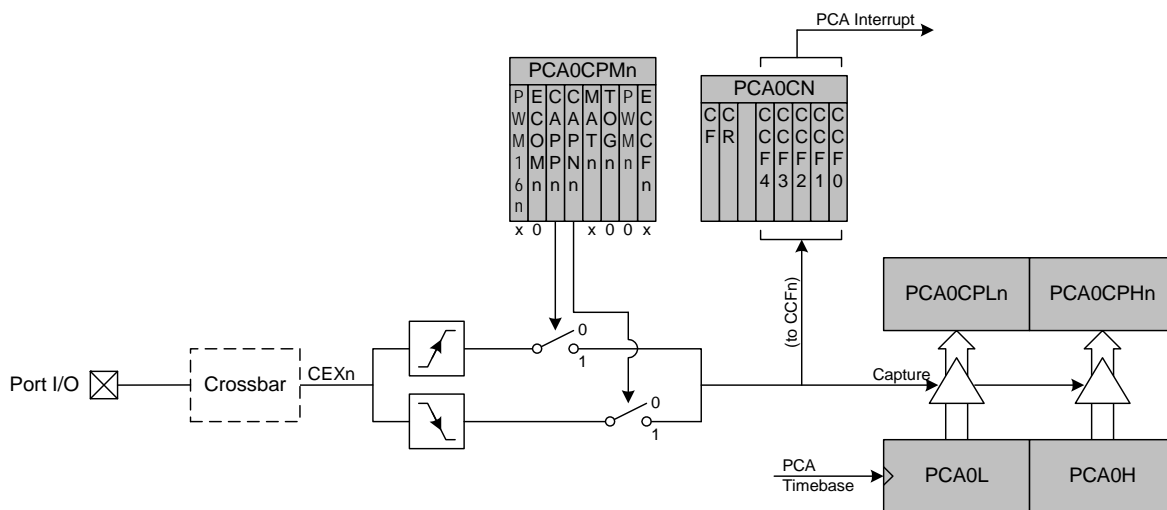


**Figure 18.3. PCA Interrupt Block Diagram**

# C8051F310/1/2/3/4/5/6/7

## 18.2.1. Edge-triggered Capture Mode

In this mode, a valid transition on the CEX<sub>n</sub> pin causes the PCA to capture the value of the PCA counter/timer and load it into the corresponding module's 16-bit capture/compare register (PCA0CPL<sub>n</sub> and PCA0CPH<sub>n</sub>). The CAPP<sub>n</sub> and CAPN<sub>n</sub> bits in the PCA0CPM<sub>n</sub> register are used to select the type of transition that triggers the capture: low-to-high transition (positive edge), high-to-low transition (negative edge), or either transition (positive or negative edge). When a capture occurs, the Capture/Compare Flag (CCF<sub>n</sub>) in PCA0CN is set to logic 1 and an interrupt request is generated if CCF interrupts are enabled. The CCF<sub>n</sub> bit is not automatically cleared by hardware when the CPU vectors to the interrupt service routine, and must be cleared by software. If both CAPP<sub>n</sub> and CAPN<sub>n</sub> bits are set to logic 1, then the state of the Port pin associated with CEX<sub>n</sub> can be read directly to determine whether a rising-edge or falling-edge caused the capture.



**Figure 18.4. PCA Capture Mode Diagram**

**Note:** The CEX<sub>n</sub> input signal must remain high or low for at least 2 system clock cycles in order to be valid.

## 18.2.2. Software Timer (Compare) Mode

In Software Timer mode, the PCA counter/timer value is compared to the module's 16-bit capture/compare register (PCA0CPHn and PCA0CPLn). When a match occurs, the Capture/Compare Flag (CCFn) in PCA0CN is set to logic 1 and an interrupt request is generated if CCF interrupts are enabled. The CCFn bit is not automatically cleared by hardware when the CPU vectors to the interrupt service routine, and must be cleared by software. Setting the ECOMn and MATn bits in the PCA0CPMn register enables Software Timer mode.

**Important Note About Capture/Compare Registers:** When writing a 16-bit value to the PCA0 Capture/Compare registers, the low byte should always be written first. Writing to PCA0CPLn clears the ECOMn bit to '0'; writing to PCA0CPHn sets ECOMn to '1'.

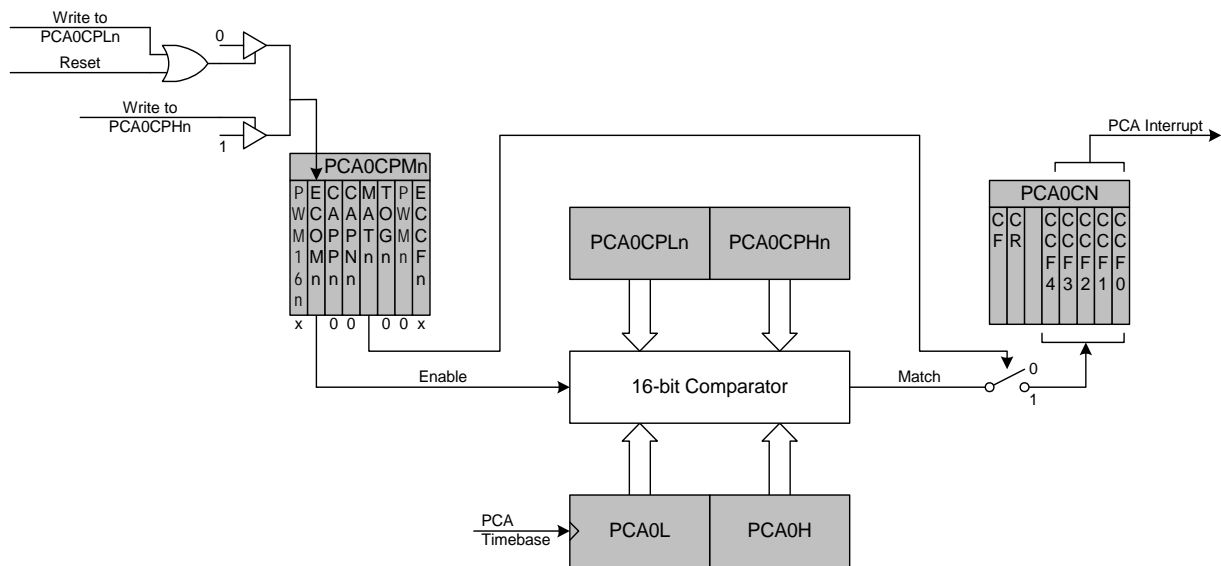


Figure 18.5. PCA Software Timer Mode Diagram







# C8051F310/1/2/3/4/5/6/7

## 18.2.5. 8-Bit Pulse Width Modulator Mode

Each module can be used independently to generate a pulse width modulated (PWM) output on its associated CEXn pin. The frequency of the output is dependent on the timebase for the PCA counter/timer. The duty cycle of the PWM output signal is varied using the module's PCA0CPLn capture/compare register. When the value in the low byte of the PCA counter/timer (PCA0L) is equal to the value in PCA0CPLn, the output on the CEXn pin will be set. When the count value in PCA0L overflows, the CEXn output will be reset (see Figure 18.8). Also, when the counter/timer low byte (PCA0L) overflows from 0xFF to 0x00, PCA0CPLn is reloaded automatically with the value stored in the module's capture/compare high byte (PCA0CPHn) without software intervention. Setting the ECOMn and PWMn bits in the PCA0CPMn register enables 8-Bit Pulse Width Modulator mode. The duty cycle for 8-Bit PWM Mode is given by Equation 18.2.

**Important Note About Capture/Compare Registers:** When writing a 16-bit value to the PCA0 Capture/Compare registers, the low byte should always be written first. Writing to PCA0CPLn clears the ECOMn bit to '0'; writing to PCA0CPHn sets ECOMn to '1'.

### Equation 18.2. 8-Bit PWM Duty Cycle

$$DutyCycle = \frac{(256 - PCA0CPHn)}{256}$$

Using Equation 18.2, the largest duty cycle is 100% (PCA0CPHn = 0), and the smallest duty cycle is 0.39% (PCA0CPHn = 0xFF). A 0% duty cycle may be generated by clearing the ECOMn bit to '0'.

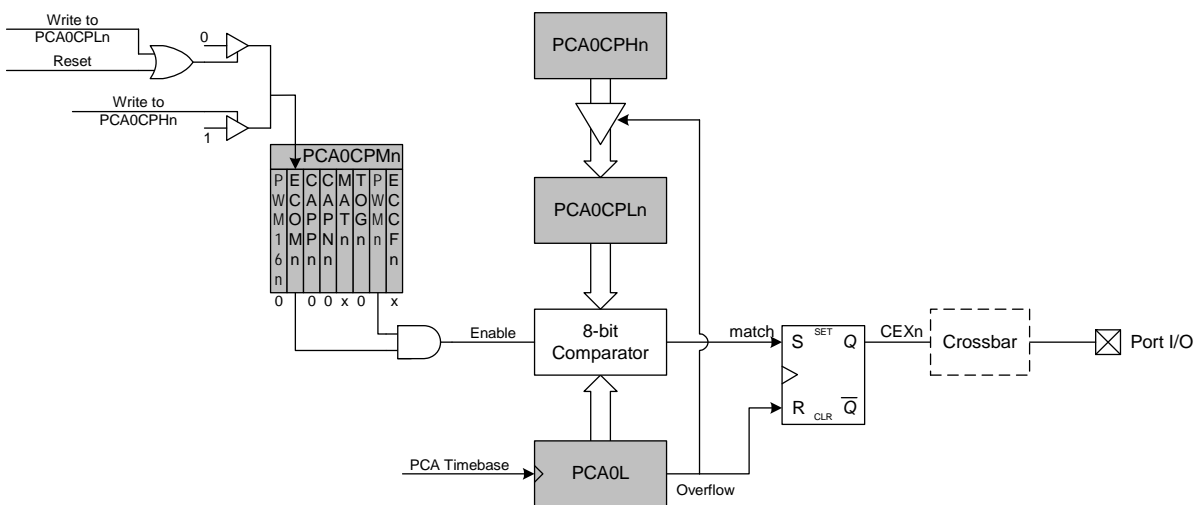


Figure 18.8. PCA 8-Bit PWM Mode Diagram



# C8051F310/1/2/3/4/5/6/7

## 18.3. Watchdog Timer Mode

A programmable watchdog timer (WDT) function is available through the PCA Module 4. The WDT is used to generate a reset if the time between writes to the WDT update register (PCA0CPH4) exceed a specified limit. The WDT can be configured and enabled/disabled as needed by software.

With the WDTE bit set in the PCA0MD register, Module 4 operates as a watchdog timer (WDT). The Module 4 high byte is compared to the PCA counter high byte; the Module 4 low byte holds the offset to be used when WDT updates are performed. **The Watchdog Timer is enabled on reset. Writes to some PCA registers are restricted while the Watchdog Timer is enabled.**

### 18.3.1. Watchdog Timer Operation

While the WDT is enabled:

- PCA counter is forced on.
- Writes to PCA0L and PCA0H are not allowed.
- PCA clock source bits (CPS2-CPS0) are frozen.
- PCA Idle control bit (CIDL) is frozen.
- Module 4 is forced into software timer mode.
- Writes to the Module 4 mode register (PCA0CPM4) are disabled.

While the WDT is enabled, writes to the CR bit will not change the PCA counter state; the counter will run until the WDT is disabled. The PCA counter run control (CR) will read zero if the WDT is enabled but user software has not enabled the PCA counter. If a match occurs between PCA0CPH4 and PCA0H while the WDT is enabled, a reset will be generated. To prevent a WDT reset, the WDT may be updated with a write of any value to PCA0CPH4. Upon a PCA0CPH4 write, PCA0H plus the offset held in PCA0CPL4 is loaded into PCA0CPH4 (See Figure 18.10).

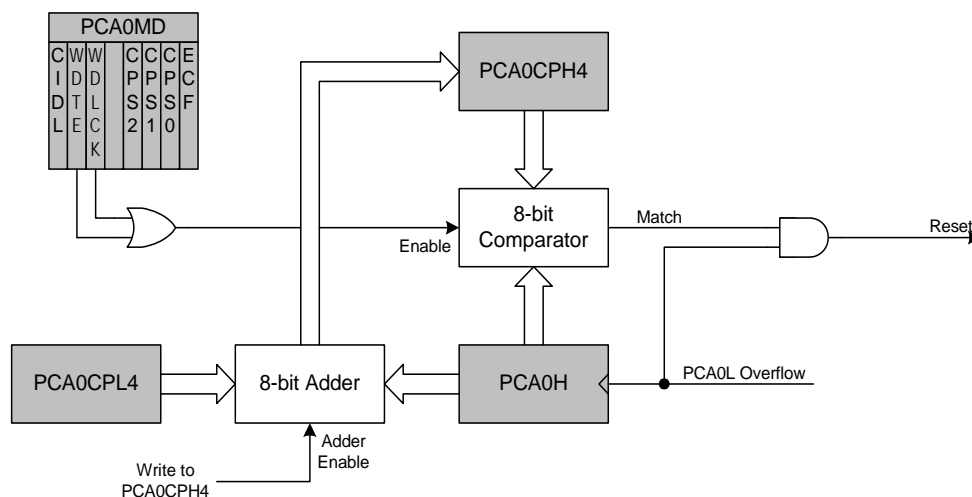


Figure 18.10. PCA Module 4 with Watchdog Timer Enabled

---

Note that the 8-bit offset held in PCA0CPH4 is compared to the upper byte of the 16-bit PCA counter. This offset value is the number of PCA0L overflows before a reset. Up to 256 PCA clocks may pass before the first PCA0L overflow occurs, depending on the value of the PCA0L when the update is performed. The total offset is then given (in PCA clocks) by Equation 18.4, where PCA0L is the value of the PCA0L register at the time of the update.

## Equation 18.4. Watchdog Timer Offset in PCA Clocks

$$\text{Offset} = (256 \times \text{PCA0CPL4}) + (256 - \text{PCA0L})$$

The WDT reset is generated when PCA0L overflows while there is a match between PCA0CPH4 and PCA0H. Software may force a WDT reset by writing a '1' to the CCF4 flag (PCA0CN.4) while the WDT is enabled.

### 18.3.2. Watchdog Timer Usage

To configure the WDT, perform the following tasks:

- Disable the WDT by writing a '0' to the WDTE bit.
- Select the desired PCA clock source (with the CPS2-CPS0 bits).
- Load PCA0CPL4 with the desired WDT update offset value.
- Configure the PCA Idle mode (set CIDL if the WDT should be suspended while the CPU is in Idle mode).
- Enable the WDT by setting the WDTE bit to '1'.
- Write a value to PCA0CPH4 to reload the WDT.

The PCA clock source and Idle mode select cannot be changed while the WDT is enabled. The watchdog timer is enabled by setting the WDTE or WDLCK bits in the PCA0MD register. When WDLCK is set, the WDT cannot be disabled until the next system reset. If WDLCK is not set, the WDT is disabled by clearing the WDTE bit.

The WDT is enabled following any reset. The PCA0 counter clock defaults to the system clock divided by 12, PCA0L defaults to 0x00, and PCA0CPL4 defaults to 0x00. Using Equation 18.4, this results in a WDT timeout interval of 256 system clock cycles. Table 18.3 lists some example timeout intervals for typical system clocks.

**Table 18.3. Watchdog Timer Timeout Intervals<sup>1</sup>**

System Clock (Hz)	PCA0CPL4	Timeout Interval (ms)
24,500,000	255	32.1
24,500,000	128	16.2
24,500,000	32	4.1
18,432,000	255	42.7
18,432,000	128	21.5
18,432,000	32	5.5
11,059,200	255	71.1
11,059,200	128	35.8
11,059,200	32	9.2
3,062,500 <sup>2</sup>	255	257
3,062,500 <sup>2</sup>	128	129.5
3,062,500 <sup>2</sup>	32	33.1
32,000	255	24576
32,000	128	12384
32,000	32	3168
<b>Notes:</b>		
<ol style="list-style-type: none"> <li>1. Assumes SYSCLK / 12 as the PCA clock source, and a PCA0L value of 0x00 at the update time.</li> <li>2. Internal oscillator reset frequency.</li> </ol>		

## 18.4. Register Descriptions for PCA

Following are detailed descriptions of the special function registers related to the operation of the PCA.

### SFR Definition 18.1. PCA0CN: PCA Control

R/W	R/W	R/W	R/W	R/W	R/W	R/W	R/W	Reset Value
CF	CR		CCF4	CCF3	CCF2	CCF1	CCF0	00000000
Bit7	Bit6	Bit5	Bit4	Bit3	Bit2	Bit1	Bit0	SFR Address: 0xD8 (bit addressable)
Bit7:	CF: PCA Counter/Timer Overflow Flag. Set by hardware when the PCA Counter/Timer overflows from 0xFFFF to 0x0000. When the Counter/Timer Overflow (CF) interrupt is enabled, setting this bit causes the CPU to vector to the PCA interrupt service routine. This bit is not automatically cleared by hardware and must be cleared by software.							
Bit6:	CR: PCA Counter/Timer Run Control. This bit enables/disables the PCA Counter/Timer. 0: PCA Counter/Timer disabled. 1: PCA Counter/Timer enabled.							
Bit5:	UNUSED. Read = 0b, Write = don't care.							
Bit4:	CCF4: PCA Module 4 Capture/Compare Flag. This bit is set by hardware when a match or capture occurs. When the CCF4 interrupt is enabled, setting this bit causes the CPU to vector to the PCA interrupt service routine. This bit is not automatically cleared by hardware and must be cleared by software.							
Bit3:	CCF3: PCA Module 3 Capture/Compare Flag. This bit is set by hardware when a match or capture occurs. When the CCF3 interrupt is enabled, setting this bit causes the CPU to vector to the PCA interrupt service routine. This bit is not automatically cleared by hardware and must be cleared by software.							
Bit2:	CCF2: PCA Module 2 Capture/Compare Flag. This bit is set by hardware when a match or capture occurs. When the CCF2 interrupt is enabled, setting this bit causes the CPU to vector to the PCA interrupt service routine. This bit is not automatically cleared by hardware and must be cleared by software.							
Bit1:	CCF1: PCA Module 1 Capture/Compare Flag. This bit is set by hardware when a match or capture occurs. When the CCF1 interrupt is enabled, setting this bit causes the CPU to vector to the PCA interrupt service routine. This bit is not automatically cleared by hardware and must be cleared by software.							
Bit0:	CCF0: PCA Module 0 Capture/Compare Flag. This bit is set by hardware when a match or capture occurs. When the CCF0 interrupt is enabled, setting this bit causes the CPU to vector to the PCA interrupt service routine. This bit is not automatically cleared by hardware and must be cleared by software.							

# C8051F310/1/2/3/4/5/6/7

## SFR Definition 18.2. PCA0MD: PCA Mode

R/W	R/W	R/W	R/W	R/W	R/W	R/W	R/W	Reset Value
CIDL	WDTE	WDLCK		CPS2	CPS1	CPS0	ECF	01000000
Bit7	Bit6	Bit5	Bit4	Bit3	Bit2	Bit1	Bit0	SFR Address: 0xD9

- Bit7:** CIDL: PCA Counter/Timer Idle Control.  
Specifies PCA behavior when CPU is in Idle Mode.  
0: PCA continues to function normally while the system controller is in Idle Mode.  
1: PCA operation is suspended while the system controller is in Idle Mode.
- Bit6:** WDTE: Watchdog Timer Enable  
If this bit is set, PCA Module 4 is used as the watchdog timer.  
0: Watchdog Timer disabled.  
1: PCA Module 4 enabled as Watchdog Timer.
- Bit5:** WDLCK: Watchdog Timer Lock  
This bit locks/unlocks the Watchdog Timer Enable. When WDLCK is set, the Watchdog Timer may not be disabled until the next system reset.  
0: Watchdog Timer Enable unlocked.  
1: Watchdog Timer Enable locked.
- Bit4:** UNUSED. Read = 0b, Write = don't care.
- Bits3–1:** CPS2–CPS0: PCA Counter/Timer Pulse Select.  
These bits select the timebase source for the PCA counter.

CPS2	CPS1	CPS0	Timebase
0	0	0	System clock divided by 12
0	0	1	System clock divided by 4
0	1	0	Timer 0 overflow
0	1	1	High-to-low transitions on ECI (max rate = system clock divided by 4)
1	0	0	System clock
1	0	1	External clock divided by 8*
1	1	0	Reserved
1	1	1	Reserved

\***Note:** External oscillator source divided by 8 is synchronized with the system clock.

- Bit0:** ECF: PCA Counter/Timer Overflow Interrupt Enable.  
This bit sets the masking of the PCA Counter/Timer Overflow (CF) interrupt.  
0: Disable the CF interrupt.  
1: Enable a PCA Counter/Timer Overflow interrupt request when CF (PCA0CN.7) is set.

**Note:** When the WDTE bit is set to '1', the PCA0MD register cannot be modified. To change the contents of the PCA0MD register, the Watchdog Timer must first be disabled.



## SFR Definition 18.3. PCA0CPMn: PCA Capture/Compare Mode Registers

R/W	R/W	R/W	R/W	R/W	R/W	R/W	R/W	Reset Value
PWM16n	ECOMn	CAPPn	CAPNn	MATn	TOGn	PWMn	ECCFn	00000000
Bit7	Bit6	Bit5	Bit4	Bit3	Bit2	Bit1	Bit0	SFR Address: 0xDA, 0xDB, 0xDC, 0xDD, 0xDE
<p>PCA0CPMn Address:      PCA0CPM0 = 0xDA (n = 0), PCA0CPM1 = 0xDB (n = 1),  PCA0CPM2 = 0xDC (n = 2), PCA0CPM3 = 0xDD (n = 3),  PCA0CPM4 = 0xDE (n = 4)</p>								
<p><b>Bit7:</b>      PWM16n: 16-bit Pulse Width Modulation Enable.  This bit selects 16-bit mode when Pulse Width Modulation mode is enabled (PWMn = 1).  0: 8-bit PWM selected.  1: 16-bit PWM selected.</p>								
<p><b>Bit6:</b>      ECOMn: Comparator Function Enable.  This bit enables/disables the comparator function for PCA module n.  0: Disabled.  1: Enabled.</p>								
<p><b>Bit5:</b>      CAPPn: Capture Positive Function Enable.  This bit enables/disables the positive edge capture for PCA module n.  0: Disabled.  1: Enabled.</p>								
<p><b>Bit4:</b>      CAPNn: Capture Negative Function Enable.  This bit enables/disables the negative edge capture for PCA module n.  0: Disabled.  1: Enabled.</p>								
<p><b>Bit3:</b>      MATn: Match Function Enable.  This bit enables/disables the match function for PCA module n. When enabled, matches of the PCA counter with a module's capture/compare register cause the CCFn bit in PCA0MD register to be set to logic 1.  0: Disabled.  1: Enabled.</p>								
<p><b>Bit2:</b>      TOGn: Toggle Function Enable.  This bit enables/disables the toggle function for PCA module n. When enabled, matches of the PCA counter with a module's capture/compare register cause the logic level on the CEXn pin to toggle. If the PWMn bit is also set to logic 1, the module operates in Frequency Output Mode.  0: Disabled.  1: Enabled.</p>								
<p><b>Bit1:</b>      PWMn: Pulse Width Modulation Mode Enable.  This bit enables/disables the PWM function for PCA module n. When enabled, a pulse width modulated signal is output on the CEXn pin. 8-bit PWM is used if PWM16n is cleared; 16-bit mode is used if PWM16n is set to logic 1. If the TOGn bit is also set, the module operates in Frequency Output Mode.  0: Disabled.  1: Enabled.</p>								
<p><b>Bit0:</b>      ECCFn: Capture/Compare Flag Interrupt Enable.  This bit sets the masking of the Capture/Compare Flag (CCFn) interrupt.  0: Disable CCFn interrupts.  1: Enable a Capture/Compare Flag interrupt request when CCFn is set.</p>								

# C8051F310/1/2/3/4/5/6/7

## SFR Definition 18.4. PCA0L: PCA Counter/Timer Low Byte

R/W	R/W	R/W	R/W	R/W	R/W	R/W	R/W	Reset Value
								00000000
Bit7	Bit6	Bit5	Bit4	Bit3	Bit2	Bit1	Bit0	SFR Address: 0xF9

Bits 7–0: PCA0L: PCA Counter/Timer Low Byte.  
The PCA0L register holds the low byte (LSB) of the 16-bit PCA Counter/Timer.

## SFR Definition 18.5. PCA0H: PCA Counter/Timer High Byte

R/W	R/W	R/W	R/W	R/W	R/W	R/W	R/W	Reset Value
								00000000
Bit7	Bit6	Bit5	Bit4	Bit3	Bit2	Bit1	Bit0	SFR Address: 0xFA

Bits 7–0: PCA0H: PCA Counter/Timer High Byte.  
The PCA0H register holds the high byte (MSB) of the 16-bit PCA Counter/Timer.

## SFR Definition 18.6. PCA0CPLn: PCA Capture Module Low Byte

R/W	R/W	R/W	R/W	R/W	R/W	R/W	R/W	Reset Value
								00000000
Bit7	Bit6	Bit5	Bit4	Bit3	Bit2	Bit1	Bit0	SFR Address: 0xFB, 0xE9, 0xEB, 0xED, 0xFD

PCA0CPLn Address:     PCA0CPL0 = 0xFB (n = 0), PCA0CPL1 = 0xE9 (n = 1),  
                          PCA0CPL2 = 0xEB (n = 2), PCA0CPL3 = 0xED (n = 3),  
                          PCA0CPL4 = 0xFD (n = 4)

Bits7–0: PCA0CPLn: PCA Capture Module Low Byte.  
The PCA0CPLn register holds the low byte (LSB) of the 16-bit capture module n.

## SFR Definition 18.7. PCA0CPHn: PCA Capture Module High Byte

R/W	R/W	R/W	R/W	R/W	R/W	R/W	R/W	Reset Value
								00000000
Bit7	Bit6	Bit5	Bit4	Bit3	Bit2	Bit1	Bit0	SFR Address: 0xFC, 0xEA, 0xEC, 0xEE, 0xFE

PCA0CPHn Address:     PCA0CPH0 = 0xFC (n = 0), PCA0CPH1 = 0xEA (n = 1),  
                           PCA0CPH2 = 0xEC (n = 2), PCA0CPH3 = 0xEE (n = 3),  
                           PCA0CPH4 = 0xFE (n = 4)

Bits7–0: PCA0CPHn: PCA Capture Module High Byte.  
 The PCA0CPHn register holds the high byte (MSB) of the 16-bit capture module n.

# C8051F310/1/2/3/4/5/6/7

---

NOTES:

## 19. Revision Specific Behavior

This chapter contains behavioral differences between C8051F310/1 “REV A” and “REV B” or later devices. These differences do not affect the functionality or performance of most systems and are described below.

### 19.1. Revision Identification

The Lot ID Code on the top side of the device package can be used for decoding device revision information. On C8051F310 devices, the revision letter is the second-to-last letter of the Lot ID Code. On C8051F311 devices, the revision letter is the last letter of the Lot ID Code. Figure 19.1 shows how to find the Lot ID Code on the top side of the device package.

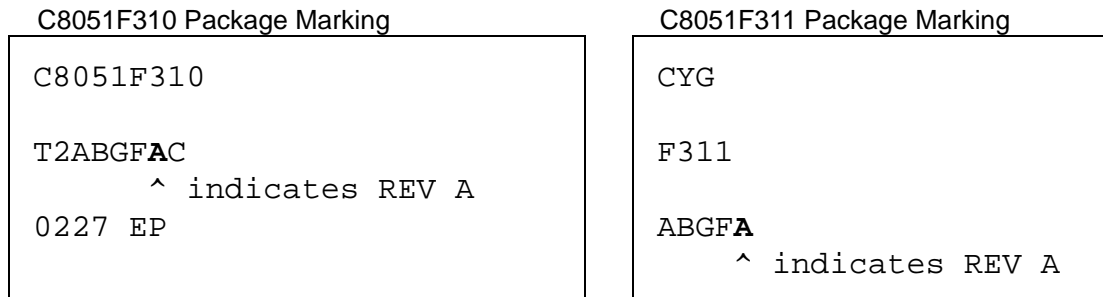


Figure 19.1. Reading Package Marking

### 19.2. Reset Behavior

The reset behavior of C8051F310/1 “REV A” devices is different than “REV B” and later devices. The differences affect the state of the RST pin during a  $V_{DD}$  Monitor reset and GPIO pins during any device reset.

#### 19.2.1. Weak Pullups on GPIO Pins

On “REV A” devices, GPIO pins are tri-stated with weak pullups **disabled** during the assertion phase of any reset. The pullups are enabled immediately following reset de-assertion.

On “REV B” and later devices, GPIO pins are tri-stated with weak pullups **enabled** during and after the assertion phase of any reset.

#### 19.2.2. $V_{DD}$ Monitor and the $\overline{\text{RST}}$ Pin

On “REV A” devices, a  $V_{DD}$  Monitor reset does not affect the state of the  $\overline{\text{RST}}$  pin.

On “REV B” and later devices, a  $V_{DD}$  Monitor reset will pull the  $\overline{\text{RST}}$  pin low for the duration of the brown-out condition.

# C8051F310/1/2/3/4/5/6/7

---

## 19.3. PCA Counter

On “REV A” devices, if the main PCA counter (PCA0H : PCA0L) overflows during the execution phase of a read-modify-write instruction (bit-wise SETB or CLR, ANL, ORL, XRL) that targets the PCA0CN register, the CF (Counter Overflow) bit will not be set. An example software work-around is as follows:

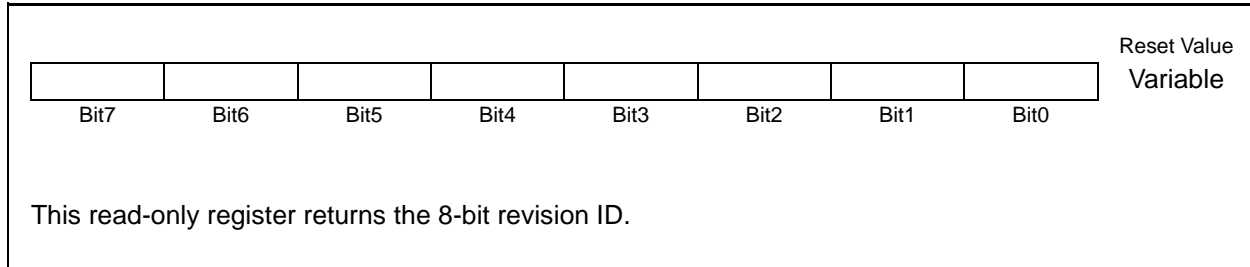
- Step 1. Disable global interrupts (EA = 0).
- Step 2. Read PCA0L. This will latch the value of PCA0H.
- Step 3. Read PCA0H, saving the value.
- Step 4. Execute the bit-wise operation on CCFn (for example, CLR CCF0, or CCF0 = 0;).
- Step 5. Read PCA0L.
- Step 6. Read PCA0H, saving the value.
- Step 7. If the value of PCA0H read in Step 3 is 0xFF and the value for PCA0H read in Step 6 is 0x00, then manually set the CF bit in software (for example, SETB CF, or CF = 1;).
- Step 8. Re-enable interrupts (EA = 1).

This behavior is not present on “REV B” and later devices. Software written for “REV A” devices will run on “REV B” and later devices without modification.

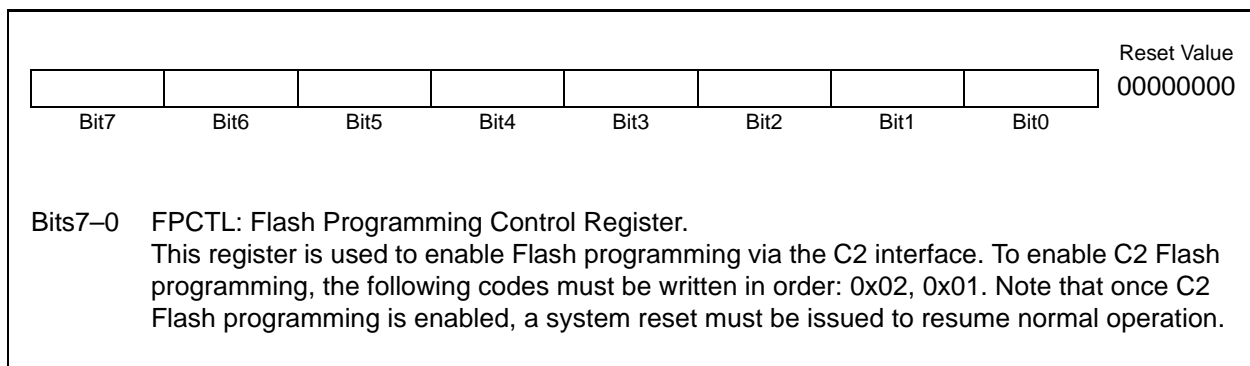


# C8051F310/1/2/3/4/5/6/7

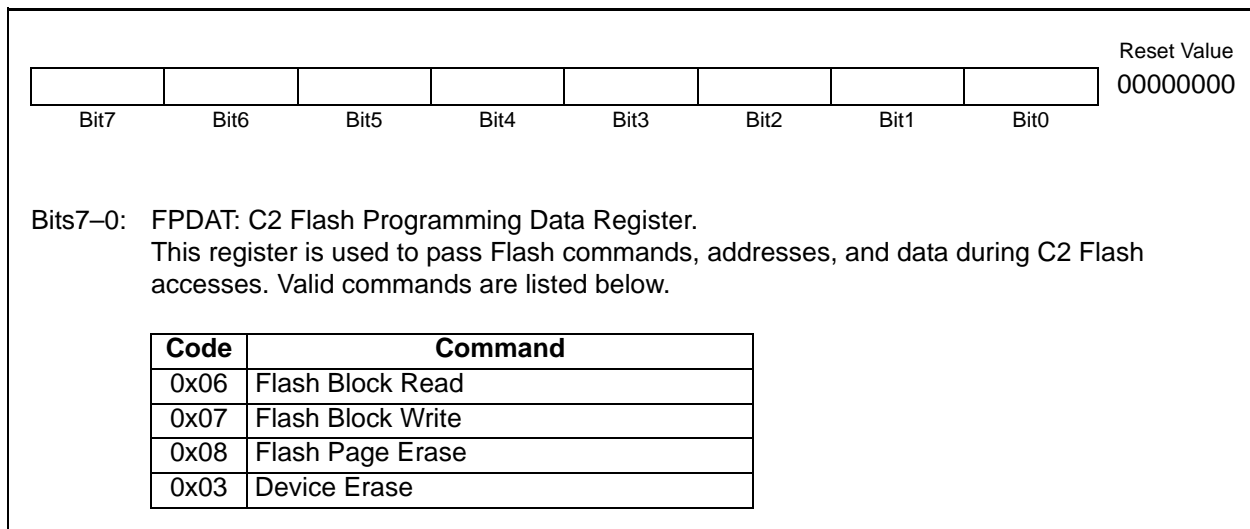
## C2 Register Definition 20.3. REVID: C2 Revision ID



## C2 Register Definition 20.4. FPCTL: C2 Flash Programming Control



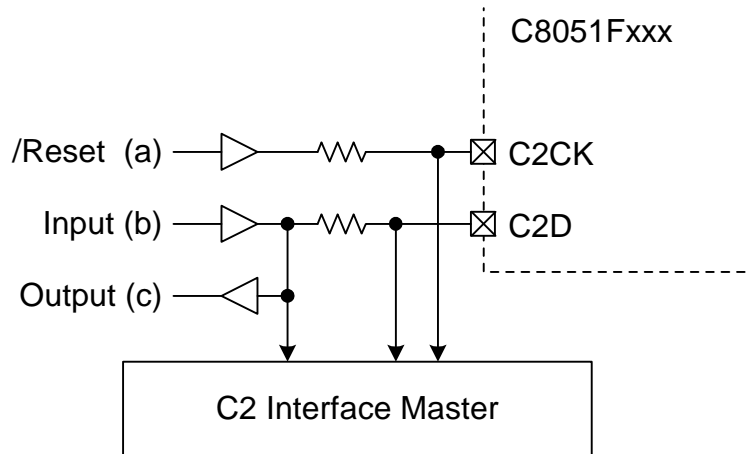
## C2 Register Definition 20.5. FPDAT: C2 Flash Programming Data





## 20.2. C2 Pin Sharing

The C2 protocol allows the C2 pins to be shared with user functions so that in-system debugging and Flash programming functions may be performed. This is possible because C2 communication is typically performed when the device is in the halt state, where all on-chip peripherals and user software are stalled. In this halted state, the C2 interface can safely 'borrow' the C2CK (/RST) and C2D (P3.0) pins. In most applications, external resistors are required to isolate C2 interface traffic from the user application. A typical isolation configuration is shown in Figure 20.1.



**Figure 20.1. Typical C2 Pin Sharing**

The configuration in Figure 20.1 assumes the following:

1. The user input (b) cannot change state while the target device is halted.
2. The /RST pin on the target device is used as an input only.

Additional resistors may be necessary depending on the specific application.

# C8051F310/1/2/3/4/5/6/7

---

## DOCUMENT CHANGE LIST

### Revision 1.5 to Revision 1.6

- Added two part numbers: C8051F316 and C8051F317
- Changed package nomenclature from MLP to QFN.
- Chapter 1.“System Overview”: Updated Table 1.1, “Product Selection Guide,” on page 18, with new ordering part numbers; added block diagrams for the new parts, and updated Figure 1.13.
- Added Table 3.2, “Electrical Characteristics Quick Reference,” on page 38.
- Chapter 4.“Pinout and Package Definitions”: Updated Table 4.1 and added package diagrams for the new parts.
- Chapter 5.“12-Bit ADC (ADC0, C8051F310/1/2/3/6 only)”: Updated Figure 5.1, SFR Definition 5.1, and SFR Definition 5.2 to show behavior of new parts.
- Chapter 9.“Reset Sources”: Added note to SFR Definition 9.2 describing the behavior of read-modify-write instructions on this register; Corrected Max VDD Ramp Time to 1 mS.
- Chapter 10.“Flash Memory”: Updated Table 10.1 to accommodate the new parts; Added Table 10.2, “Flash Security Summary,” on page 114 for clarity, replacing the Flash security summaries text.
- Chapter 13.“Port Input/Output”: Updated text, Figure 13.1, Figure 13.3, Figure 13.4, and SFR Definition 13.7 through SFR Definition 13.17 to accommodate the new part numbers.
- Chapter 18.“Programmable Counter Array”: In Table 18.3, corrected internal oscillator reset frequency from 3,060,000 Hz to 3,062,500 Hz.
- Chapter 20.“C2 Interface”: Updated C2 Register Definition 20.2 to accommodate the new part numbers. Corrected Device ID that is common to all 'F31x devices from 0x09 to 0x08; Removed references to "boundary scan" because this feature is not supported by the 'F31x devices.

### Revision 1.6 to Revision 1.7

- Fixed various minor errors.
- Updated values in Table 3.1, “Global DC Electrical Characteristics,” on page 36.
- Added Section “[10.4. Flash Write and Erase Guidelines](#)” on page [115](#).

### Revision 1.7 to Revision 1.8

- Updated the LQFP-32 landing diagram in Figure 4.3 and Table 4.3, “LQFP-32 Landing Pattern Dimensions,” on page 43.
- Updated the QFN-28 package drawing and landing diagram in Figure 4.5, Table 4.4, “QFN-28 Package Dimensions,” on page 45, Figure 4.6, and Table 4.5, “QFN-28 Landing Pattern Dimensions,” on page 46.
- Updated the QFN-24 package drawing and landing diagram in Figure 4.8, Table 4.6, “QFN-24 Package Dimensions,” on page 48, Figure 4.9, and Table 4.7, “QFN-24 Landing Pattern Dimensions,” on page 49.

---

**NOTES:**