

REV. A	SHEET 1 OF 2	DOCUMENT NO. CF-020010-73X
REVISIONS M		
LTR	DESCRIPTION	DATE
A	INITIAL RELEASE	---

DOCUMENT NO. CF-020010-73X

SHEET 1 OF 2

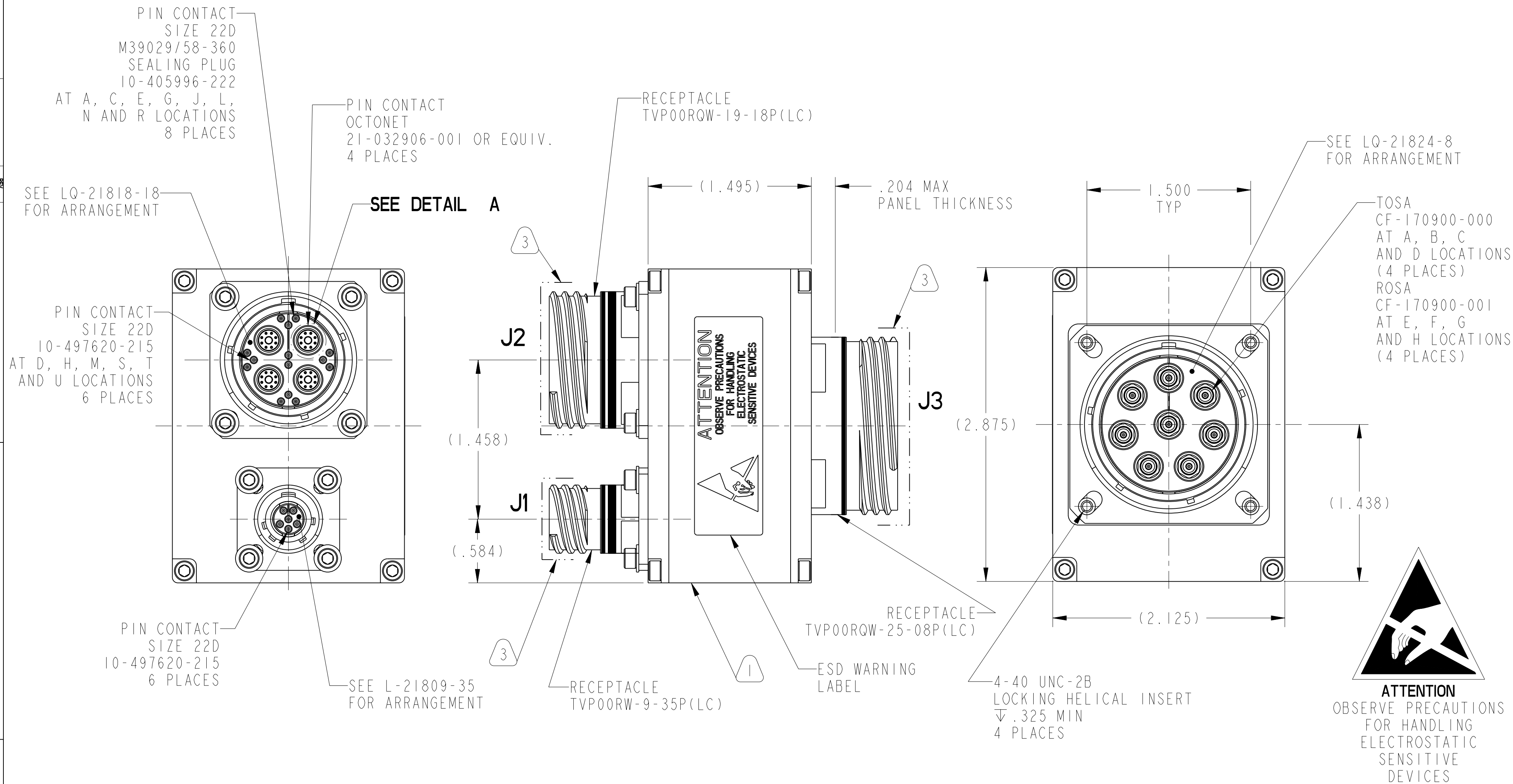
REV. A

C

B

A

PART NUMBER	J1 CONNECTOR KEY ROTATION	J2 CONNECTOR KEY ROTATION	J3 CONNECTOR KEY ROTATION
CF-020010-73N	N	N	N



SEE SHEET 2

NOTES:

THE USE OF THIS DOCUMENT IS UNLIMITED. HOWEVER, DOCUMENTS REFERENCED HEREON MAY CONTAIN LIMITED RIGHTS DATA.

RELEASED / Mar . 28 2017, 1:14:51 PM

DOCUMENT NO. CF-020010-73X

SHEET 1 OF 2

REV. A

N/A

NEXT ASSEMBLY

PRO/ENGINEER INFORMATION

Pro/e Model Used: CF-020010-73X.ASSEM Drawing Name: CF-020010-73X

UNLESS OTHERWISE SPECIFIED	SPECIFICATIONS	POS	QTY	PART NUMBER	DESCRIPTION	NOTE
LINEAR DIMENSIONS ARE IN INCHES TOLERANCES: .XXXX = ±.0005 ANGLES= ±2° .XXX = ±.010 .XX = ±.03 .X = ±.1	MATERIAL SPEC. N/A					
DIM. & TOL. PER ASME Y14.5M; DRM PER MIL-STD-31000; OTHER Amphenol Stds. PER 9-3800	PROCESS SPEC. 9-9172-2 9-3856-5					
LEGENDS: =FLAG NOTE CALL OUT REFERENCE ONLY						
		APPROVALS		DATE	PARTS LIST	
		PREPARED BY	I. NASH	03-Mar-17	AMPHENOL CORPORATION	
		ENGINEER IN CHARGE	W. LEE		40-60 DELAWARE AVENUE SIDNEY, N.Y. 13858	
		DESIGN MANAGER	J. PAUL		MEDIA CONVERTER 1GBASE-T TO 1GBASE-SX QUAD PORT, O.D. CAD PLATED	
		DESIGN ACTIVITY GROUP	C1		SIZE C	CAGE CODE 77820
		THIRD ANGLE PROJECTION			DOCUMENT NO. CF-020010-73X	REV. A
					SCALE: 1.5:1	SHEET 1 OF 2

VISION 7

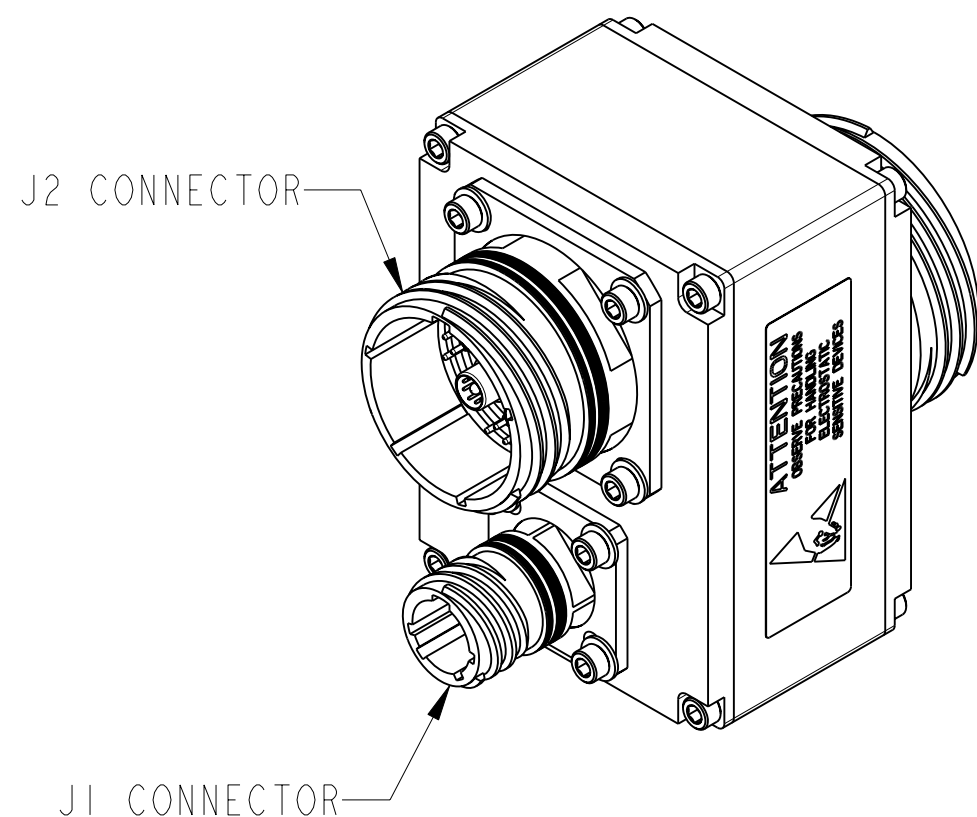
REVISION A

Eng. PDM Information For Reference Only

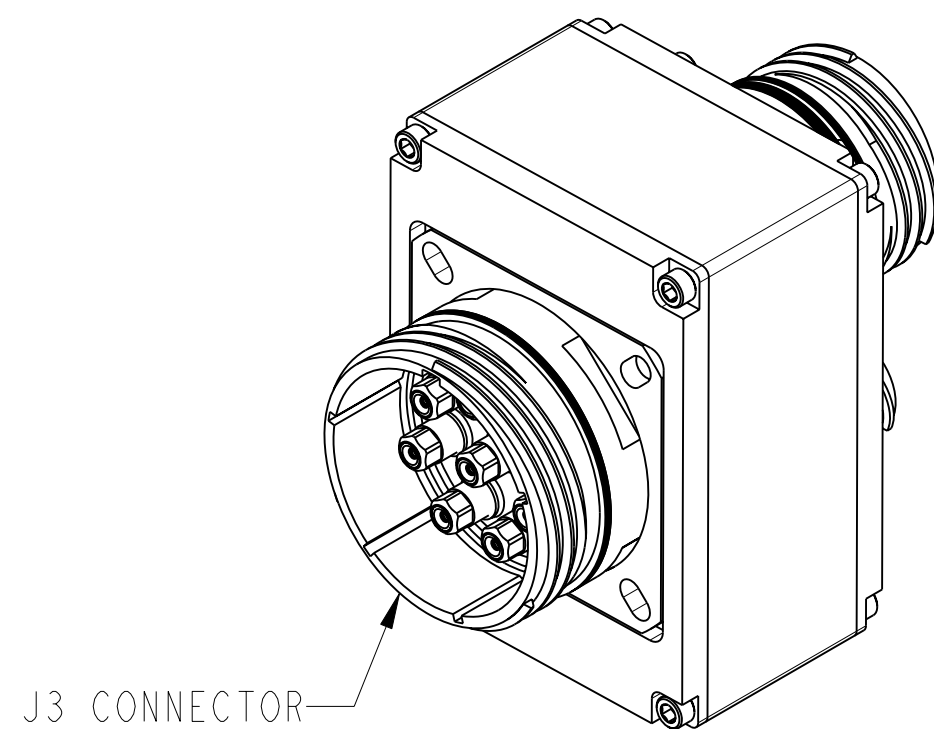
REV. A

SHEET 1 OF 2

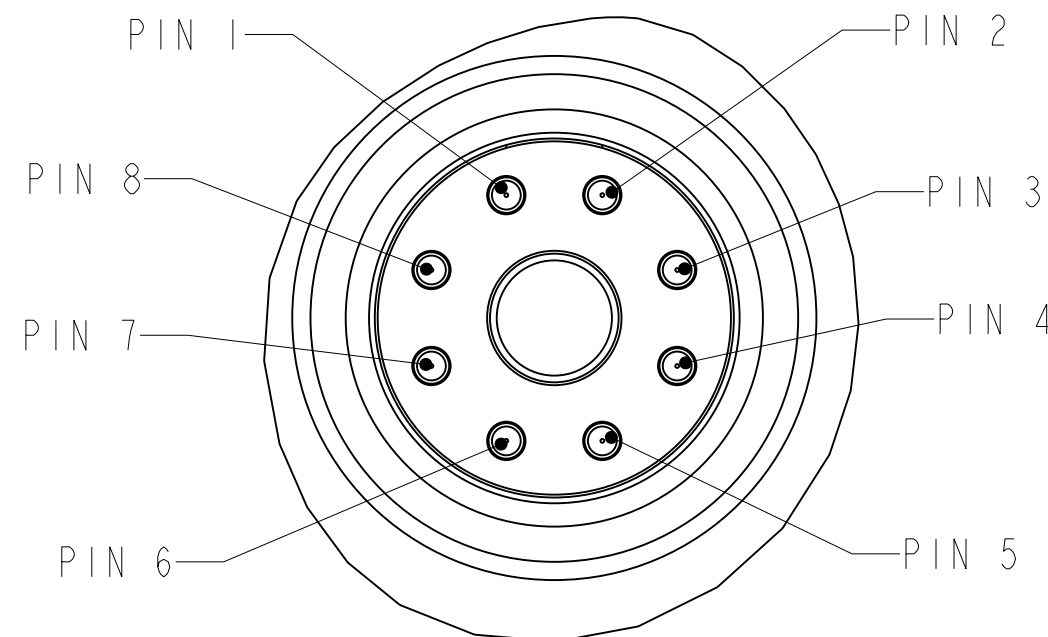
DOCUMENT NO. CF-020010-73X



FRONT ISO VIEW
SCALE 1:1



REAR ISO VIEW
SCALE 1:1



DETAIL A
J2 CONNECTOR FRONT VIEW
PIN POSITION
SCALE 10:1

J1 CONNECTOR	
ID	DESCRIPTION
1	CHASSIS_GND
2	CHASSIS_GND
3	CHASSIS_GND
4	CHASSIS_GND
5	28VIN
6	GND

J2 CONNECTOR	
ID	DESCRIPTION
B1	CH4_A_1GBASE-T_P
B2	CH4_A_1GBASE-T_N
B3	CH4_B_1GBASE-T_P
B4	CH4_B_1GBASE-T_N
B5	CH4_C_1GBASE-T_P
B6	CH4_C_1GBASE-T_N
B7	CH4_D_1GBASE-T_P
B8	CH4_D_1GBASE-T_N
F1	CH3_A_1GBASE-T_P
F2	CH3_A_1GBASE-T_N
F3	CH3_B_1GBASE-T_P
F4	CH3_B_1GBASE-T_N
F5	CH3_C_1GBASE-T_P
F6	CH3_C_1GBASE-T_N
F7	CH3_D_1GBASE-T_P
F8	CH3_D_1GBASE-T_N
K1	CH2_A_1GBASE-T_P
K2	CH2_A_1GBASE-T_N
K3	CH2_B_1GBASE-T_P
K4	CH2_B_1GBASE-T_N
K5	CH2_C_1GBASE-T_P
K6	CH2_C_1GBASE-T_N
K7	CH2_D_1GBASE-T_P
K8	CH2_D_1GBASE-T_N
P1	CH1_A_1GBASE-T_P
P2	CH1_A_1GBASE-T_N
P3	CH1_B_1GBASE-T_P
P4	CH1_B_1GBASE-T_N
P5	CH1_C_1GBASE-T_P
P6	CH1_C_1GBASE-T_N
P7	CH1_D_1GBASE-T_P
P8	CH1_D_1GBASE-T_N

J3 CONNECTOR	
ID	DESCRIPTION
A	CH_2_1GBASE-SX_TX
B	CH_1_1GBASE-SX_TX
C	CH_3_1GBASE-SX_TX
D	CH_4_1GBASE-SX_TX
E	CH_4_1GBASE-SX_RX
F	CH_3_1GBASE-SX_RX
G	CH_2_1GBASE-SX_RX
H	CH_1_1GBASE-SX_RX

4. ASSEMBLY CONTAINS ELECTROSTATIC DISCHARGE (ESD) SENSITIVE COMPONENTS. ASSEMBLY SHALL BE HANDLED, PACKAGED, AND SHIPPED TO MEET REQUIREMENTS OF ANSI/ESD-S-20.20 AND IPC-A-610.

3. PROTECTIVE CAPS SHALL BE INSTALLED PRIOR TO SHIPPING.

2. PACKAGE LABEL SHALL CONTAIN THE SAME INFORMATION SHOWN IN NOTE 1.

1. STAMP AMPHENOL 77820, SIX DIGIT SERIAL NUMBER, AND PART NUMBER ON INDICATED SURFACE. STAMPING PER 9-3856-5. SERIAL NUMBER PER 9-9172-2.

EXAMPLE: (FOR NORMAL KEY CONVERTER NUMBER 8 BUILT ON APRIL 27, 2017)

AMPHENOL 77820
171708
CF-020010-73N

NOTES:

THE USE OF THIS DOCUMENT IS UNLIMITED. HOWEVER, DOCUMENTS REFERENCED HEREON MAY CONTAIN LIMITED RIGHTS DATA.

RELEASED / Mar . 28 2017, 1:14:51 PM

DOCUMENT NO. CF-020010-73X

SHEET 2 OF 2

REV. A

SIZE C	CAGE CODE 77820	DOCUMENT NO. CF-020010-73X	REV. A
SCALE: 1.5:1		REF: CF-020010-68X	SHEET 2 OF 2