

OSS-2-M

~30° medium beam optimized for Osram Golden Dragon+. Assembly with white holder.

SPECIFICATION:

Dimensions	21.6 x 21.6 mm
Height	13.9 mm
Fastening	tape
ROHS compliant	yes ⓘ

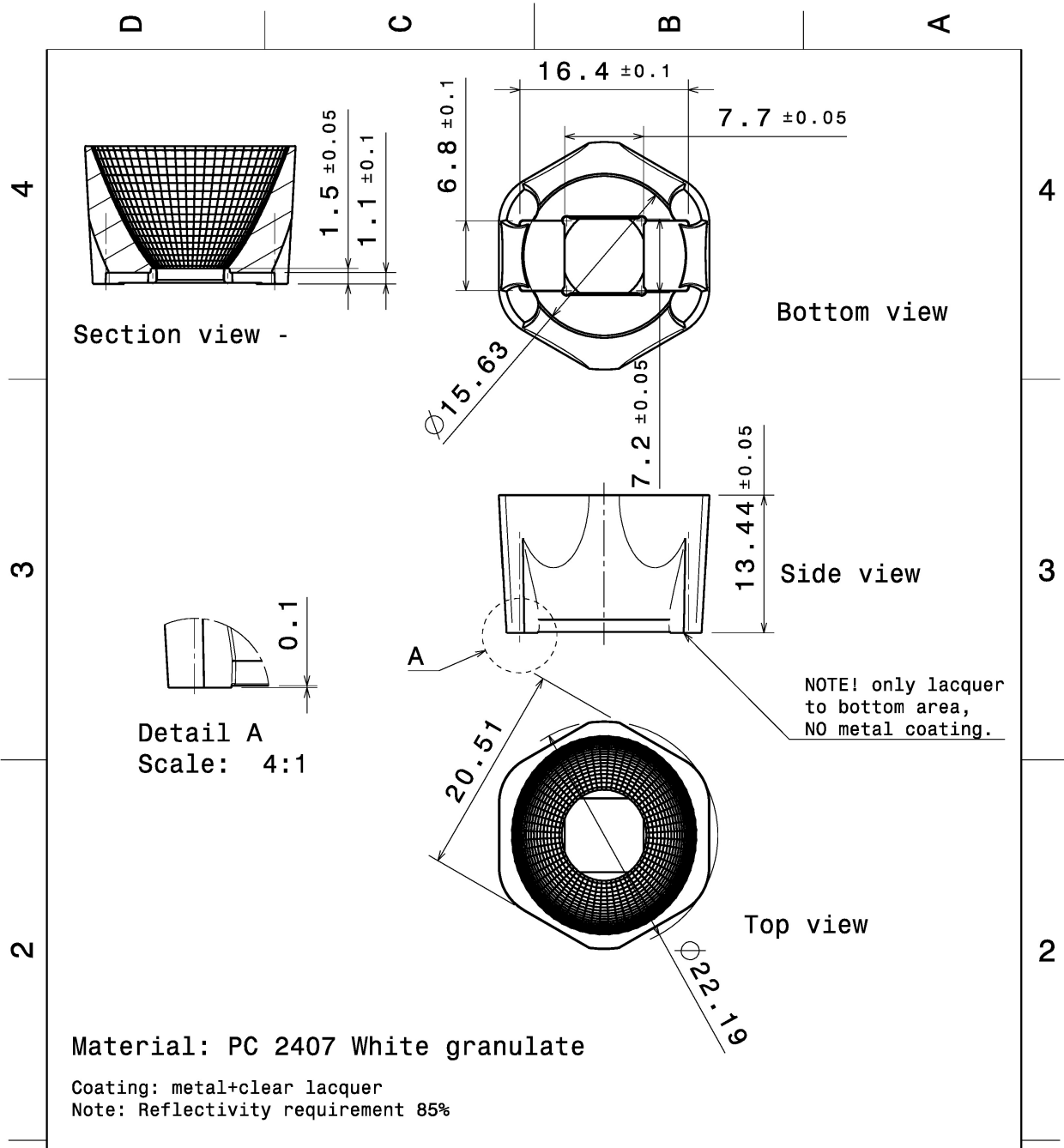
MATERIALS:

Component	Type	Material	Colour	Finish
ROSE2-M	Single lens	PMMA	clear	
ROSE-HLD	Holder	PC	white	
ROSE-TAPE	Tape	Acrylic foam	black	

ORDERING INFORMATION:

Component		Qty in box	MOQ	MPQ	Box weight (kg)
CA10569_OSS-2-M	Single lens	1440	360	180	7.5
» Box size: 451 x 254 x 152 mm					





This drawing is our property.
It can't be reproduced
or communicated without
our written agreement.



Ledil Oy
Tehdaskatu 13
FIN-24100 SALO
Finland

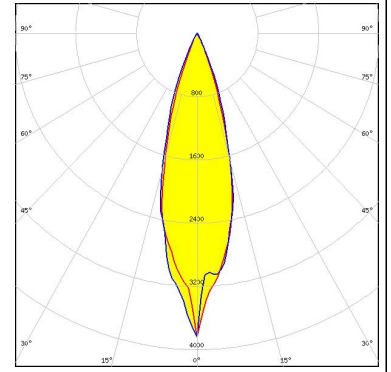
DRAWN BY ah		DATE 30.09.2008		DRAWING TITLE Boom-reflector Spot MC-E			
CHECKED BY HH		DATE 28.09.2009		SIZE A4	DRAWING NUMBER C10569	REV 3	
DESIGNED BY pv		DATE 04.07.2008		SCALE 2:1	WEIGHT (g)	SHEET 1/1	

See also our general installation guide: www.ledil.com/installation_guide

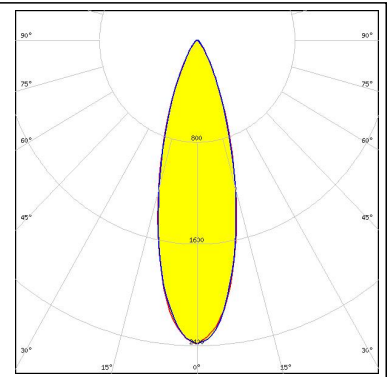
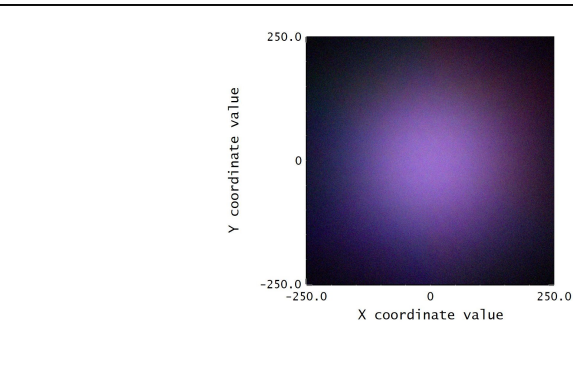
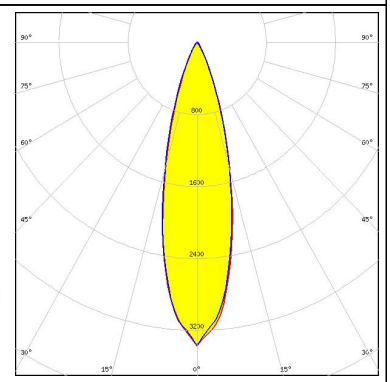
OPTICAL RESULTS (MEASURED):

OSRAM
Opto Semiconductors

LED	Golden Dragon+
FWHM / FWTM	24.0° / 40.0°
Efficiency	%
Peak intensity	4.4 cd/lm
LEDs/each optic	1
Light colour	White
Required components:	



OPTICAL RESULTS (SIMULATED):

<p>LUMILEDS</p> <p>LED LUXEON 5050 Square LES</p> <p>FWHM / FWTM 30.0° / 60.0°</p> <p>Efficiency 90 %</p> <p>Peak intensity 2.4 cd/lm</p> <p>LEDs/each optic 1</p> <p>Light colour White</p> <p>Required components:</p>		
<p>OSRAM Opto Semiconductors</p> <p>LED OSTAR Stage (S2WM)</p> <p>FWHM / FWTM 27.0° / 51.0°</p> <p>Efficiency 87 %</p> <p>Peak intensity 3.3 cd/lm</p> <p>LEDs/each optic 1</p> <p>Light colour White</p> <p>Required components:</p>		
<p>OSRAM Opto Semiconductors</p> <p>LED OSTAR Stage (S2WM)</p> <p>FWHM / FWTM 27.0° / 51.0°</p> <p>Efficiency 94 %</p> <p>Peak intensity 3.4 cd/lm</p> <p>LEDs/each optic 1</p> <p>Light colour White</p> <p>Required components:</p>	