

STRADA-B2

Wide oval beam for area lighting. Assembly with installation tape.

SPECIFICATION:

Dimensions	19.6 x 15.5 mm
Height	5.4 mm
Fastening	tape, pin, screw
ROHS compliant	yes ⓘ

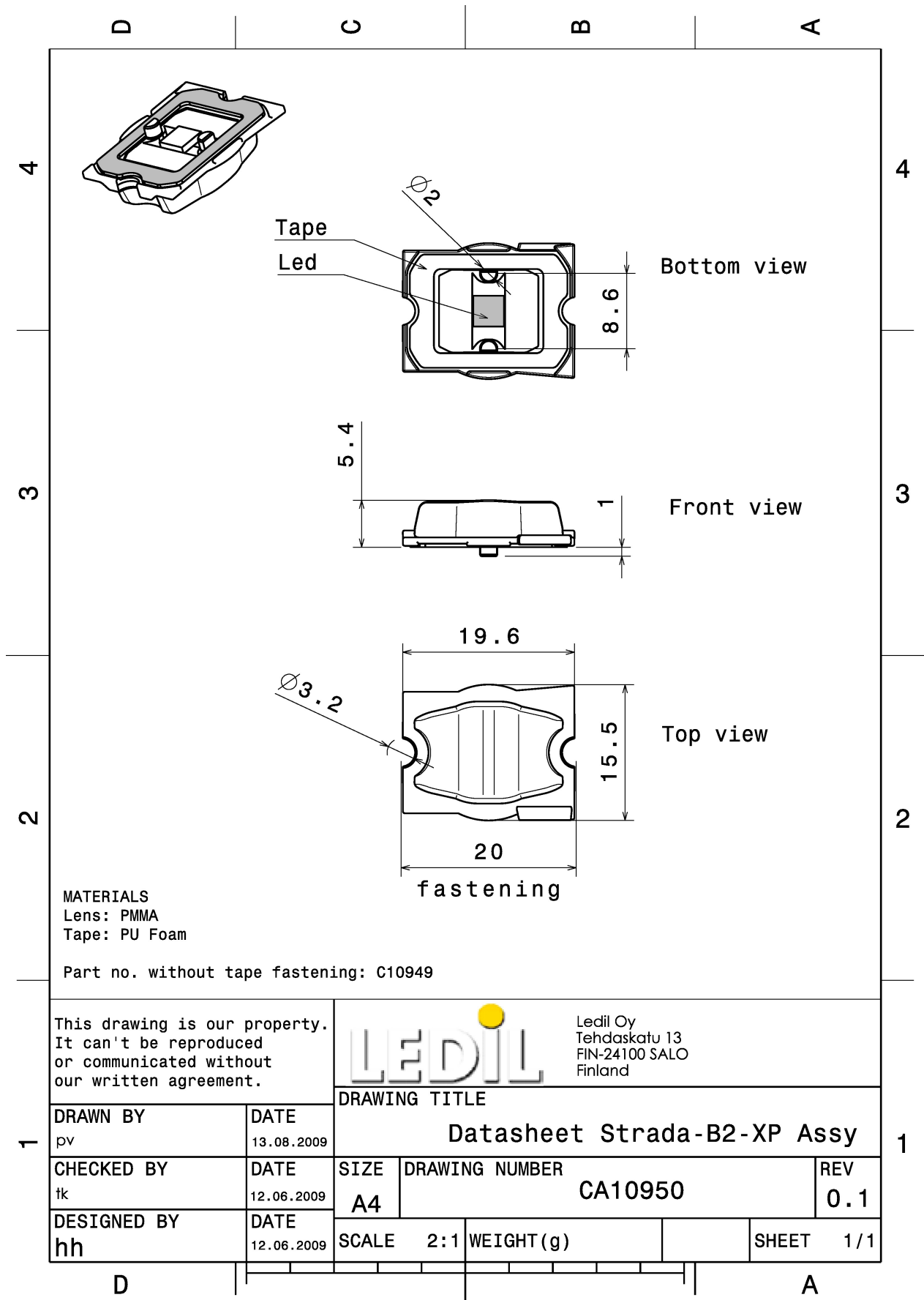


MATERIALS:

Component	Type	Material	Colour	Finish
STRADA-B2	Single lens	PMMA	clear	
VOSU-WU-M-365-TAPE	Tape	Acrylic foam		

ORDERING INFORMATION:

Component		Qty in box	MOQ	MPQ	Box weight (kg)
CA10950_STRADA-B2	Single lens	4320	240	240	4.7
» Box size: 451 x 254 x 197 mm					

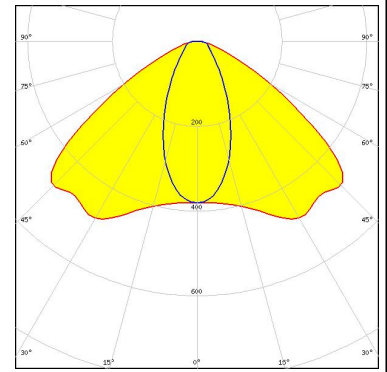


See also our general installation guide: www.ledil.com/installation_guide

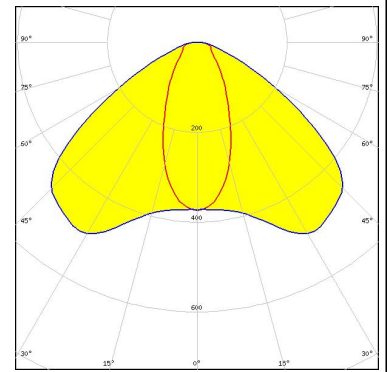
OPTICAL RESULTS (MEASURED):



LED XP-E
 FWHM / FWTM 116.0 + 44.0°
 Efficiency 92 %
 Peak intensity 0.5 cd/m
 LEDs/each optic 1
 Light colour White
 Required components:



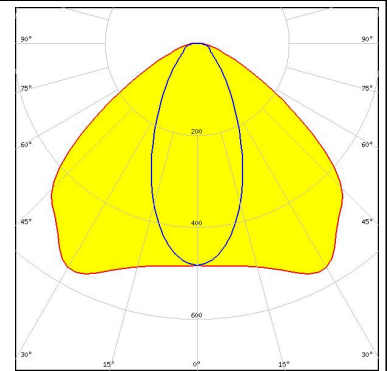
LED XP-G
 FWHM / FWTM 112.0 + 42.0°
 Efficiency 92 %
 LEDs/each optic 1
 Light colour White
 Required components:



LED LUXEON A
 FWHM / FWTM 108.0 + 46.0°
 Efficiency 92 %
 LEDs/each optic 1
 Light colour White
 Required components:



LED LUXEON Rebel
 FWHM / FWTM 108.0 + 46.0°
 Efficiency 92 %
 Peak intensity 0.5 cd/m
 LEDs/each optic 1
 Light colour White
 Required components:



OPTICAL RESULTS (MEASURED):

LUMILEDS

LED LUXEON Rebel ES
FWHM / FWTM 108.0 + 46.0°
Efficiency 92 %
Peak intensity 0.5 cd/lm
LEDs/each optic 1
Light colour White
Required components:

NICHIA

LED NVSxx19A
FWHM / FWTM 108.0 + 48.0°
Efficiency 92 %
LEDs/each optic 1
Light colour White
Required components:

OSRAM

Opto Semiconductors

LED OSLOM SSL 150
FWHM / FWTM 110.0 + 50.0°
Efficiency 92 %
LEDs/each optic 1
Light colour White
Required components:

OSRAM

Opto Semiconductors

LED OSLOM SSL 80
FWHM / FWTM 110.0 + 50.0°
Efficiency 92 %
Peak intensity 0.4 cd/lm
LEDs/each optic 1
Light colour White
Required components:

OPTICAL RESULTS (MEASURED):

SHARP

LED	Double Dome (GM2BB)
FWHM / FWTM	116.0 + 48.0°
Efficiency	92 %
LEDs/each optic	1
Light colour	White
Required components:	