

## LO2-W

~40° wide beam optimized for Osram Golden Dragon+. 13.9 mm high assembly with installation tape.

### TECHNICAL SPECIFICATIONS:

Dimensions	Ø 21.6 mm
Height	13.9 mm
Fastening	tape
ROHS compliant	yes ⓘ

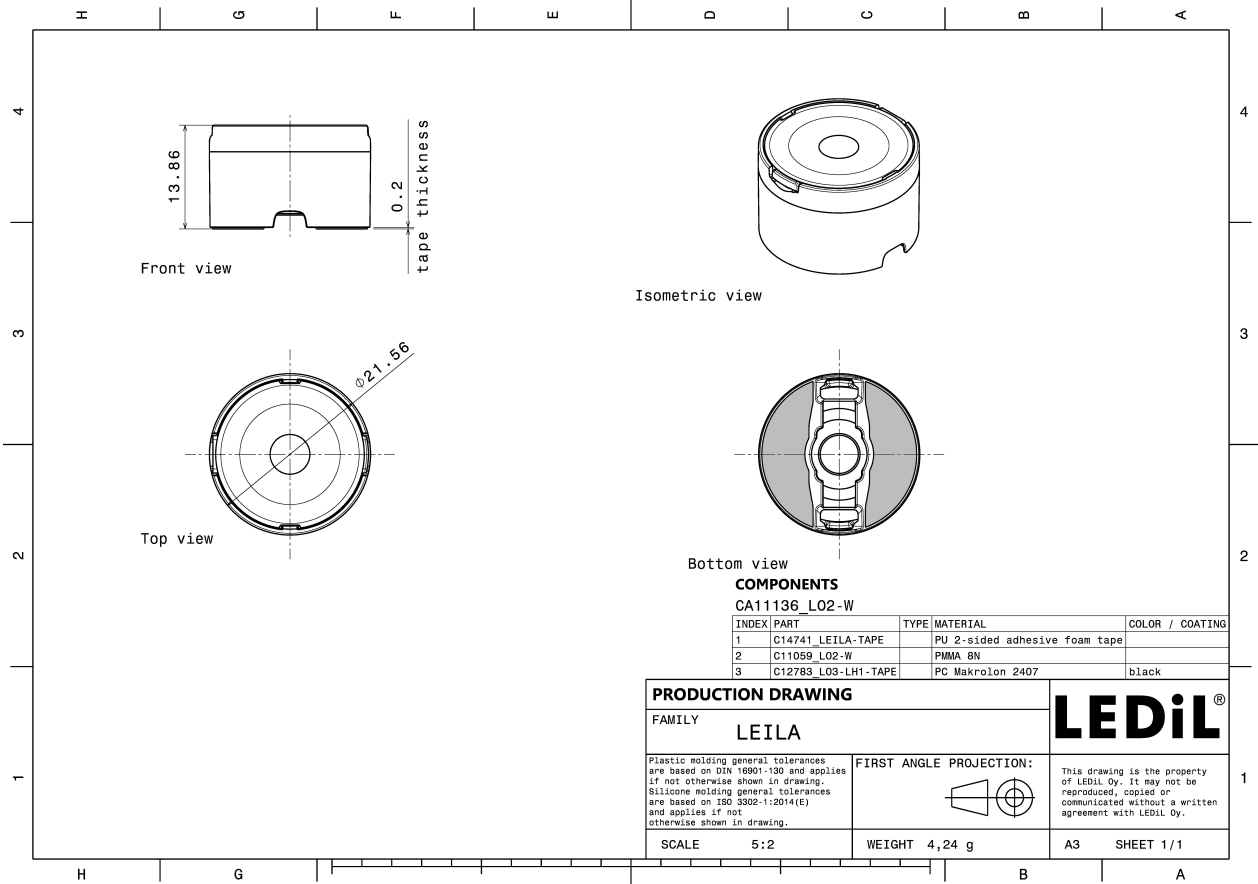


### MATERIAL SPECIFICATIONS:

Component	Type	Material	Colour	Finish
LO2-W	Single lens	PMMA	clear	
LO3-LH1-TAPE	Holder	PC	black	
LEILA-TAPE	Tape	PU tape 0,2mm	black	

### ORDERING INFORMATION:

Component		Qty in box	MOQ	MPQ	Box weight (kg)
CA11136_LO2-W	Single lens	2880		180	13.4
» Box size: 480 x 280 x 300 mm					



See also our general installation guide: [www.ledil.com/installation\\_guide](http://www.ledil.com/installation_guide)

## PHOTOMETRIC DATA (MEASURED):

**OSRAM**  
Opto Semiconductors

LED	Golden Dragon+
FWHM / FWTM	44.0°
Efficiency	%
LEDs/each optic	1
Light colour	White
Required components:	