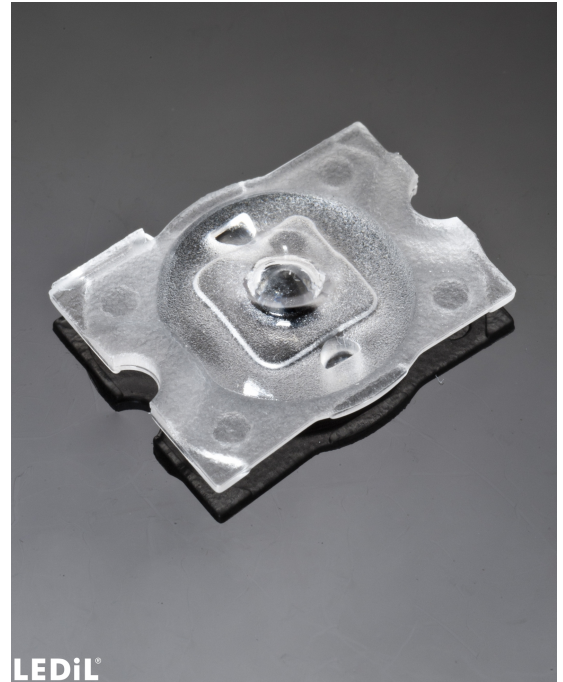


LOTTA-A

~170° wide area beam. Assembly with installation tape.

SPECIFICATION:

Dimensions	19.6 x 15.4 mm
Height	3.8 mm
Fastening	tape, screw
ROHS compliant	yes ⓘ

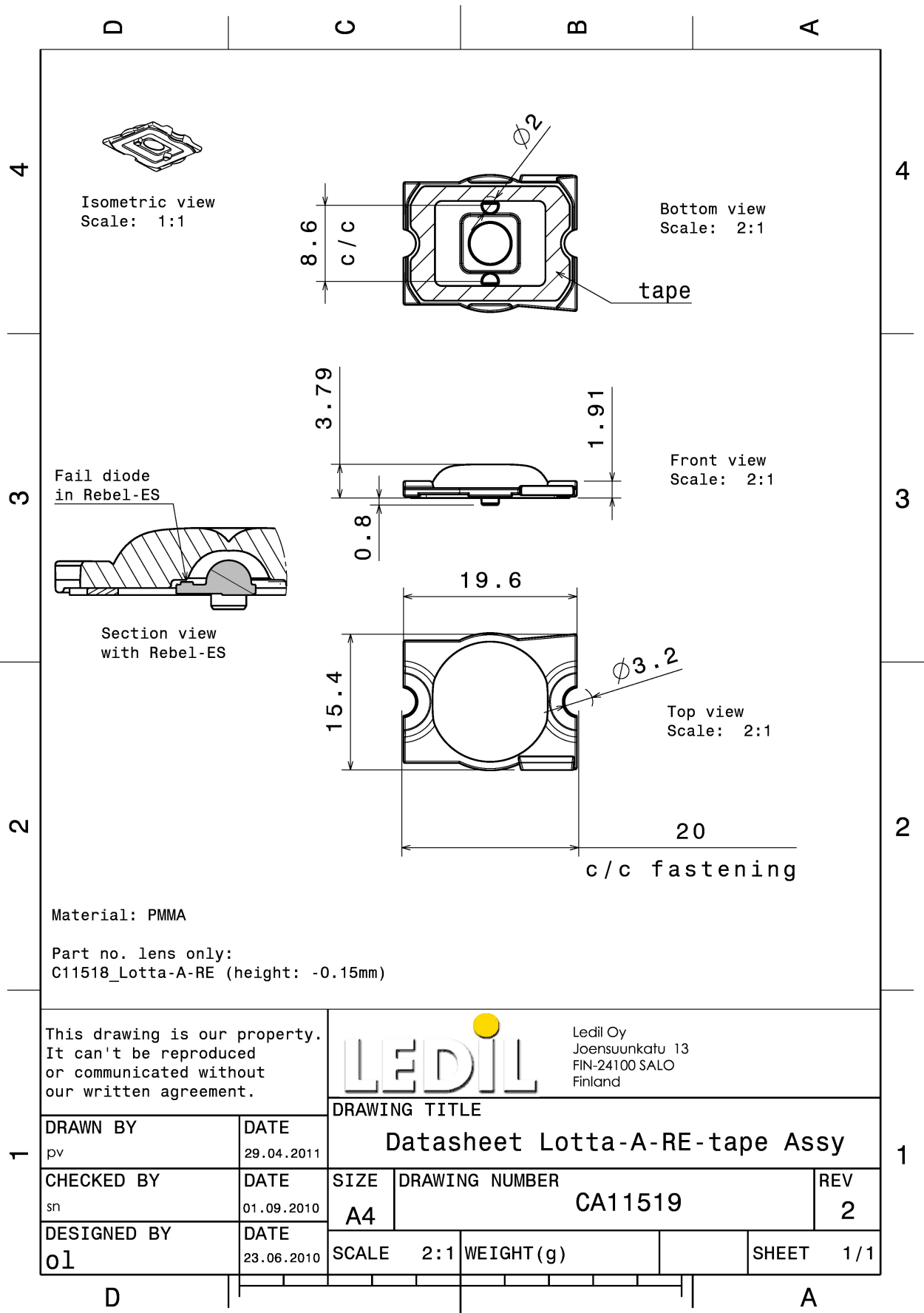


MATERIALS:

Component	Type	Material	Colour	Finish
LOTTA-A	Single lens	PMMA	clear	
VOSU-WU-M-365-TAPE	Tape	Acrylic foam		

ORDERING INFORMATION:

Component		Qty in box	MOQ	MPQ	Box weight (kg)
CA11519_LOTTA-A	Single lens	5280	240	240	4.6
» Box size: 254 x 298 x 241 mm					



See also our general installation guide: www.ledil.com/installation_guide

OPTICAL RESULTS (MEASURED):

LUMILEDS

LED LUXEON A
FWHM / FWTM 175.0°
Efficiency %
LEDs/each optic 1
Light colour White
Required components:

LUMILEDS

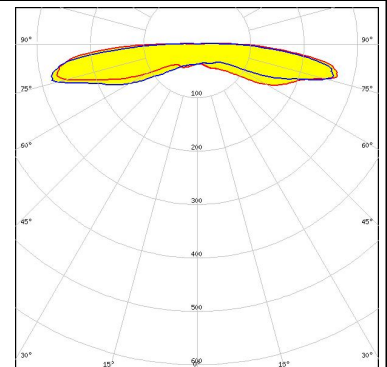
LED LUXEON Rebel
FWHM / FWTM 168.0°
Efficiency 81 %
LEDs/each optic 1
Light colour White
Required components:

LUMILEDS

LED LUXEON Rebel ES
FWHM / FWTM 175.0°
Efficiency 82 %
LEDs/each optic 1
Light colour White
Required components:

OSRAM Opto Semiconductors

LED OSOLON SSL 150
FWHM / FWTM 177.0° / 183.0°
Efficiency 84 %
Peak intensity 0.3 cd/lm
LEDs/each optic 1
Light colour White
Required components:



OPTICAL RESULTS (MEASURED):



OPTICAL RESULTS (SIMULATED):

OSRAM
Opto Semiconductors

LED	OSLON Square CSSRM2/CSSRM3
FWHM / FWTM	176.0° / 182.0°
Efficiency	80 %
Peak intensity	0.2 cd/lm
LEDs/each optic	1
Light colour	White
Required components:	

