

TINA2-O

~35° + 15° oval beam optimized for Osram Golden Dragon+. Assembly with holder and installation tape.

SPECIFICATION:

Dimensions	Ø 16.1 mm
Height	10.1 mm
Fastening	tape
ROHS compliant	yes ⓘ

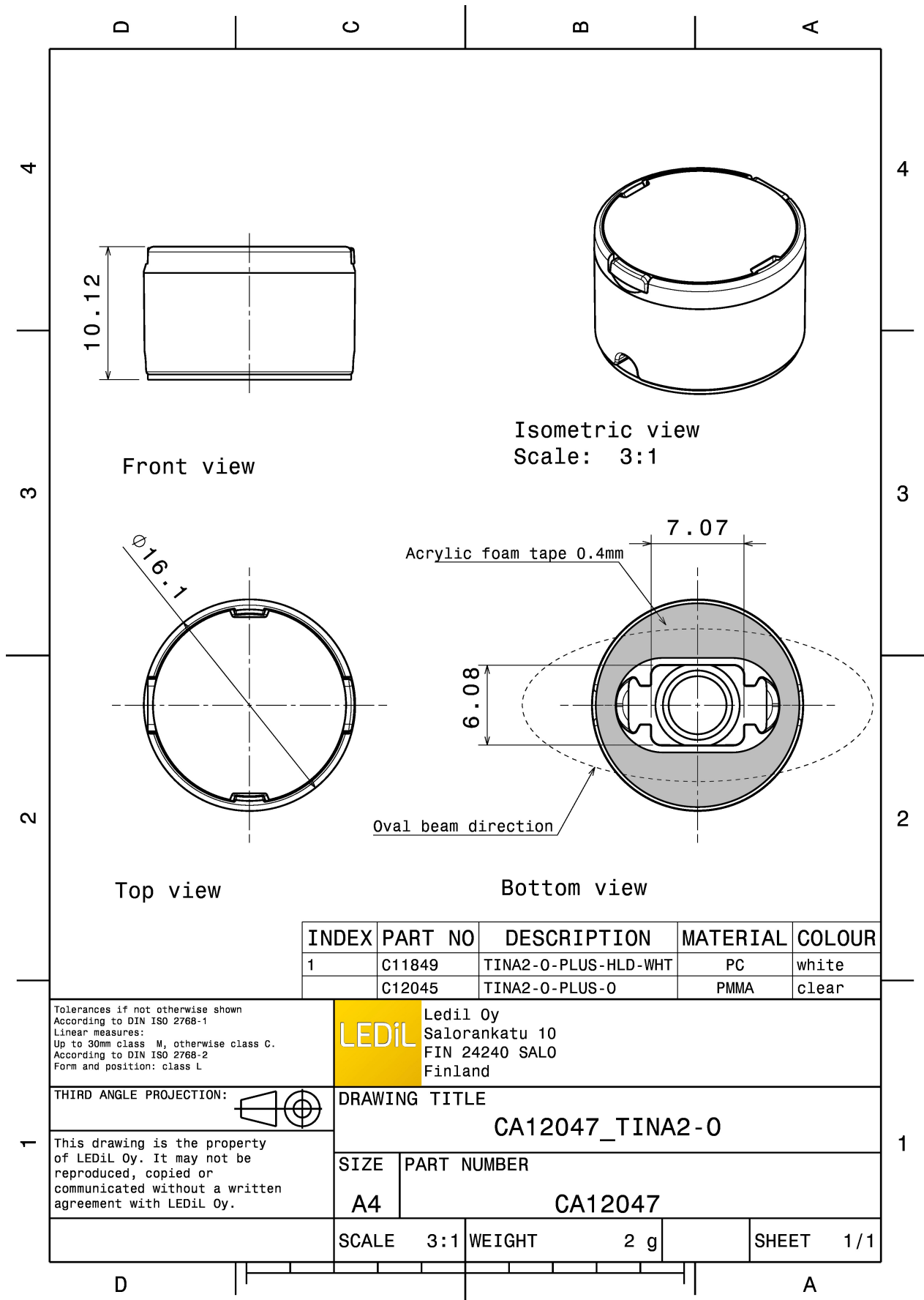


MATERIALS:

Component	Type	Material	Colour	Finish
TINA2-O-PLUS-O	Single lens	PMMA		
TINA2-O-PLUS-HLD-WHT	Holder	PC	white	
TINA-TAPE3	Tape	Acrylic foam	black	

ORDERING INFORMATION:

Component		Qty in box	MOQ	MPQ	Box weight (kg)
CA12047_TINA2-O	Single lens	4140	230	230	0.0
» Box size: 451 x 241 x 298 mm					

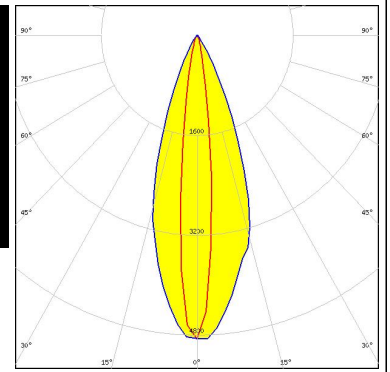


See also our general installation guide: www.ledil.com/installation_guide

OPTICAL RESULTS (MEASURED):

OSRAM
Opto Semiconductors

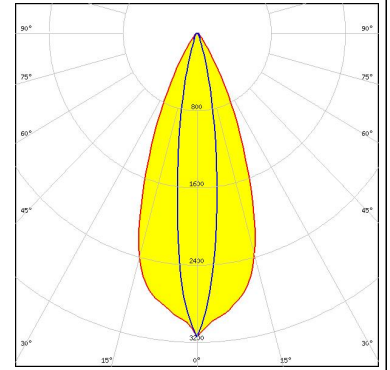
LED	Golden Dragon+
FWHM / FWTM	36.0 + 12.0° / 58.0 + 26.0°
Efficiency	89 %
Peak intensity	5.3 cd/lm
LEDs/each optic	1
Light colour	White
Required components:	



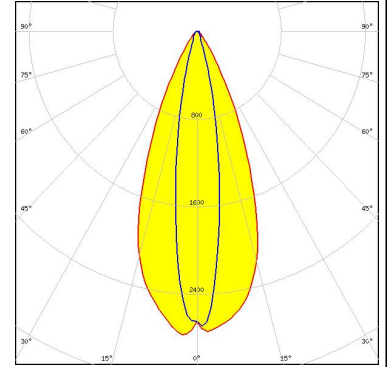
OPTICAL RESULTS (SIMULATED):



LED XP-L HI
FWHM / FWTM 42.0 + 16.0° / 66.0 + 34.0°
Efficiency 89 %
Peak intensity 3.1 cd/lm
LEDs/each optic 1
Light colour White
Required components:



LED OSCONIQ P 3737 (2W version)
FWHM / FWTM 43.0 + 18.0° / 69.0 + 36.0°
Efficiency 87 %
Peak intensity 2.8 cd/lm
LEDs/each optic 1
Light colour White
Required components:



LED SFH 4725AS
FWHM / FWTM 44.0 + 20.0° / 70.0 + 38.0°
Efficiency 87 %
LEDs/each optic 1
Light colour IR
Required components:

