

## LR2-RS

~9.6° spot beam optimized for LUXEON Rebel.  
14.3 mm high assembly with installation tape.

### TECHNICAL SPECIFICATIONS:

Dimensions	Ø 21.6 mm
Height	14.3 mm
Fastening	pin, tape
ROHS compliant	yes ⓘ

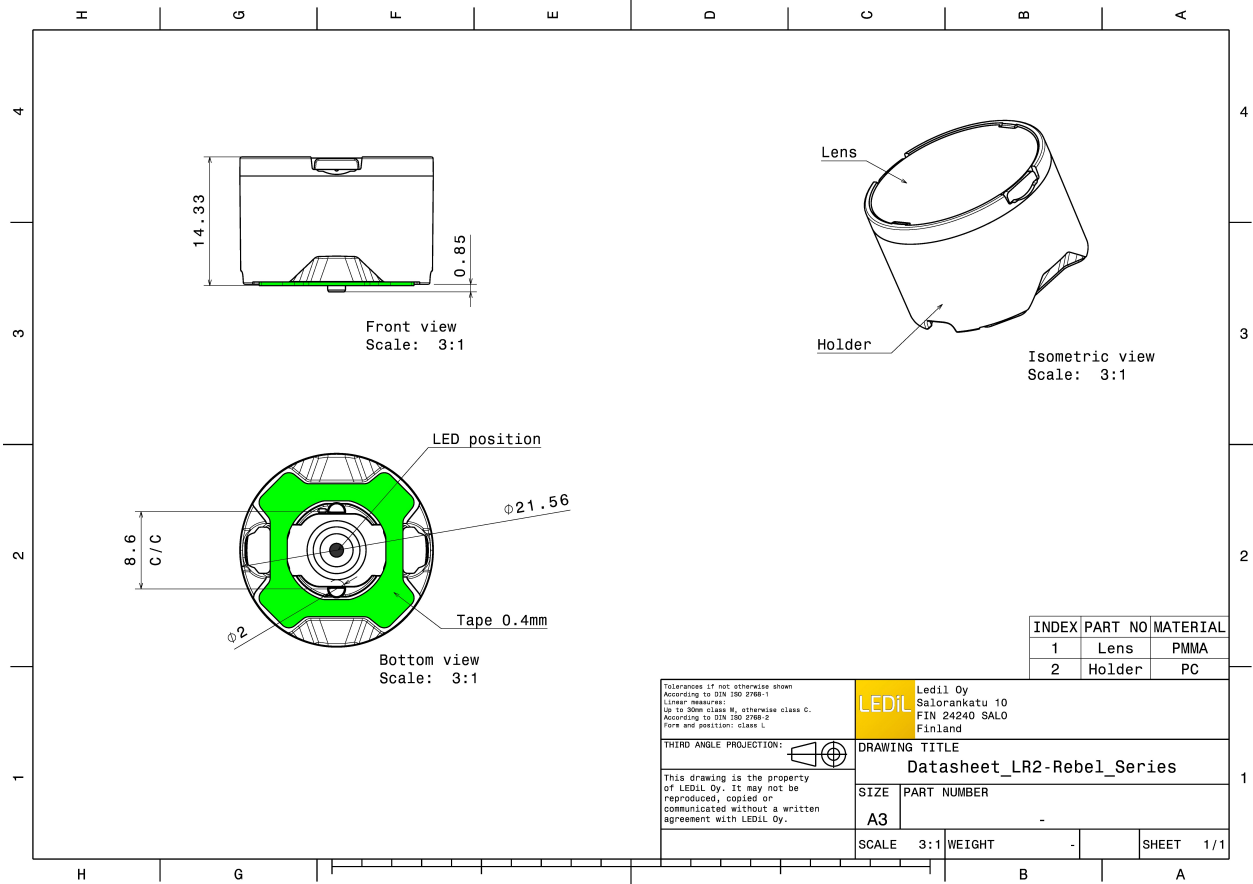
### MATERIAL SPECIFICATIONS:

Component	Type	Material	Colour	Finish
LXP2-RS	Single lens	PMMA	clear	
LR2-LH1-WHT	Holder	PC	white	
HEIDI-TAPE	Tape	PU tape	black	



### ORDERING INFORMATION:

Component	Type	Qty in box	MOQ	MPQ	Box weight (kg)
CA12262_LR2-RS	Single lens	1680	336	112	9.0
» Box size: 480 x 280 x 300 mm					



See also our general installation guide: [www.ledil.com/installation\\_guide](http://www.ledil.com/installation_guide)

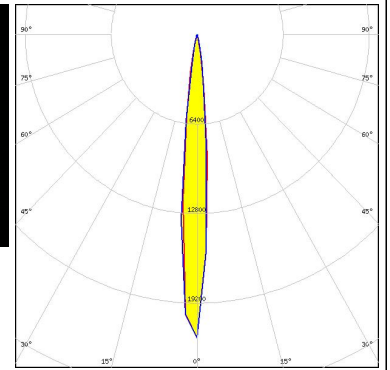
### PHOTOMETRIC DATA (MEASURED):



LED LUXEON Rebel  
FWHM / FWTM 8.0°  
Efficiency 94 %  
LEDs/each optic 1  
Light colour White  
Required components:



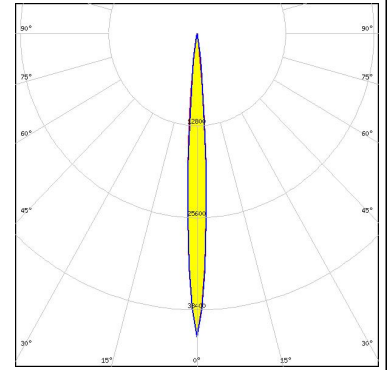
LED NCSxx19B  
FWHM / FWTM 10.0° / 20.0°  
Efficiency 90 %  
Peak intensity 21.7 cd/lm  
LEDs/each optic 1  
Light colour White  
Required components:



### PHOTOMETRIC DATA (SIMULATED):

#### LUMILEDS

LED LUXEON Rubix  
 FWHM / FWTM 8.0° / 14.0°  
 Efficiency 95 %  
 Peak intensity 42.2 cd/lm  
 LEDs/each optic 1  
 Light colour White  
 Required components:



#### OSRAM

Opto Semiconductors

LED OSLOM Square CSSRM2/CSSRM3  
 FWHM / FWTM 10.0° / 22.0°  
 Efficiency 95 %  
 Peak intensity 19 cd/lm  
 LEDs/each optic 1  
 Light colour White  
 Required components:

