

LR2-W

~40° wide beam optimized for LUXEON Rebel.
14.5 mm high assembly with installation tape.

SPECIFICATION:

Dimensions	Ø 21.6 mm
Height	14.5 mm
Fastening	tape, pin
ROHS compliant	yes ⓘ

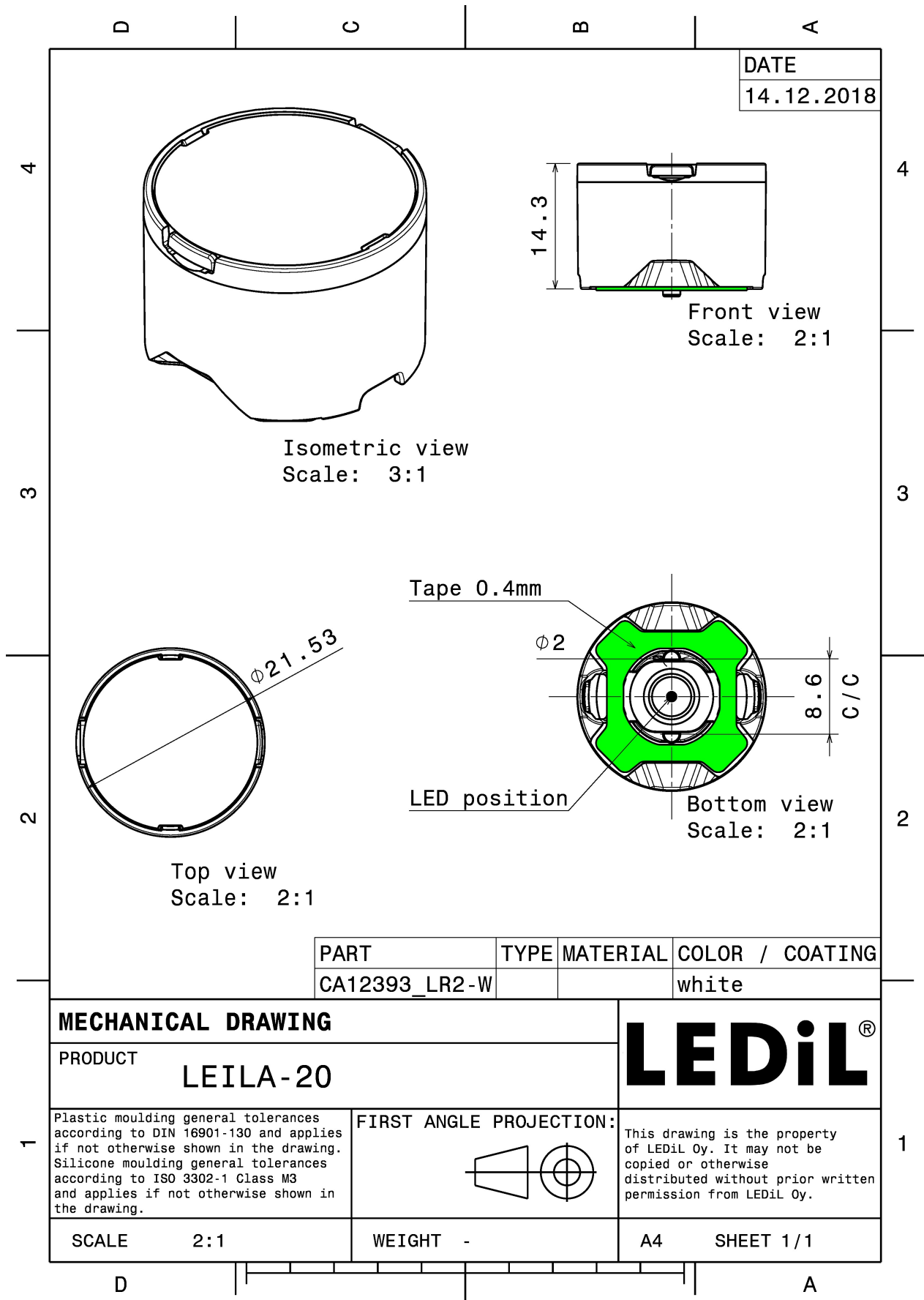
MATERIALS:

Component	Type	Material	Colour	Finish
LXP2-W	Single lens	PMMA		
LR2-LH1-WHT	Holder	PC	white	
HEIDI-TAPE	Tape	Acrylic foam	black	




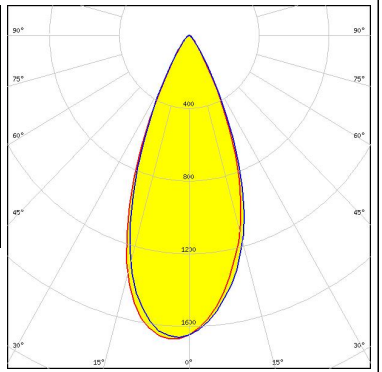

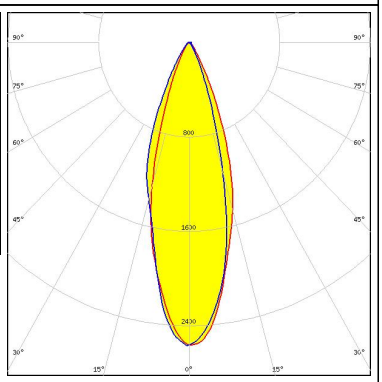
ORDERING INFORMATION:

Component	Type	Qty in box	MOQ	MPQ	Box weight (kg)
CA12393_LR2-W	Single lens	1680		112	9.4
» Box size: 480 x 280 x 300 mm					



See also our general installation guide: www.ledil.com/installation_guide

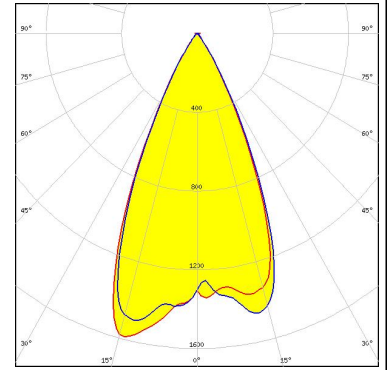
OPTICAL RESULTS (MEASURED):

<p>NICHIA</p> <p>LED NCSxx19B FWHM / FWTM 43.0° / 68.0° Efficiency 89 % Peak intensity 1.7 cd/m LEDs/each optic 1 Light colour White Required components:</p>		
<p>OSRAM Opto Semiconductors</p> <p>LED OSLON SSL 150 FWHM / FWTM 32.0° / 57.0° Efficiency 94 % Peak intensity 2.6 cd/m LEDs/each optic 1 Light colour White Required components:</p>		

OPTICAL RESULTS (SIMULATED):



LED XQ-E HD
FWHM / FWTM 50.0° / 68.0°
Efficiency 96 %
Peak intensity 1.6 cd/lm
LEDs/each optic 1
Light colour White
Required components:



LED LUXEON Rebel
FWHM / FWTM 44.0°
Efficiency %
LEDs/each optic 1
Light colour White
Required components:



LED OSLON Square CSSRM2/CSSRM3
FWHM / FWTM 49.0° / 70.0°
Efficiency 96 %
Peak intensity 1.5 cd/lm
LEDs/each optic 1
Light colour White
Required components:

