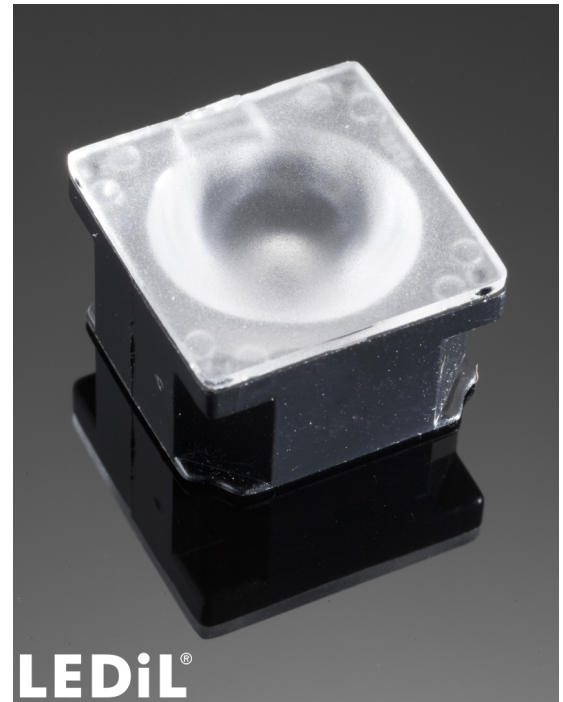


LAURA-W

~40° wide beam optimized for Nichia 19.
Assembly with black holder and installation
tape.

TECHNICAL SPECIFICATIONS:

Dimensions	21.6 x 21.6 mm
Height	12.9 mm
Fastening	tape
ROHS compliant	yes ⓘ

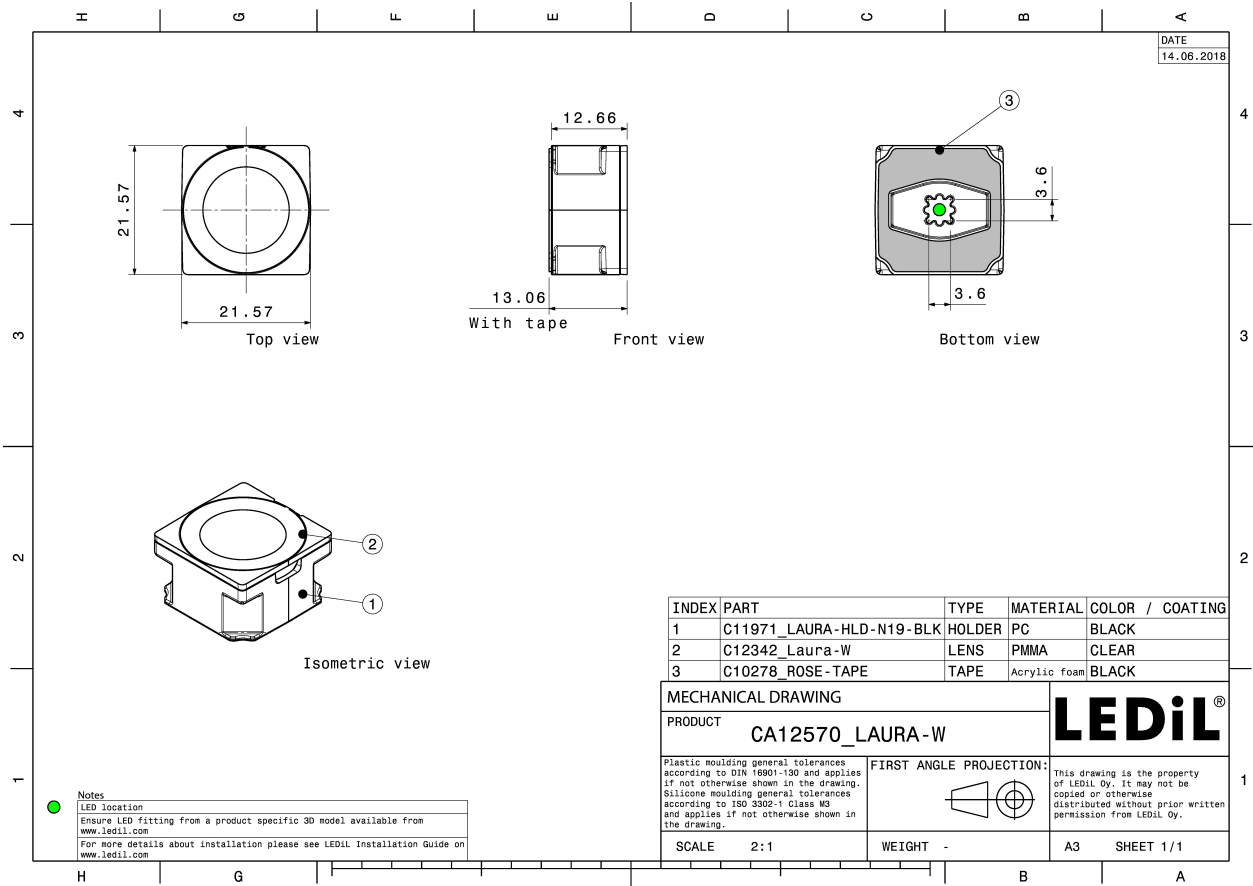


MATERIAL SPECIFICATIONS:

Component	Type	Material	Colour	Finish
LAURA-W	Single lens	PMMA	clear	
LAURA-HLD-N19-BLK	Holder	PC	black	
ROSE-TAPE	Tape	Acrylic foam	black	

ORDERING INFORMATION:

Component		Qty in box	MOQ	MPQ	Box weight (kg)
CA12570_LAURA-W	Single lens	1440	360	180	7.9
» Box size: 451 x 254 x 152 mm					



See also our general installation guide: www.ledil.com/installation_guide

PHOTOMETRIC DATA (MEASURED):



LED NCSxx19A
FWHM / FWTM 40.0° / 60.0°
Efficiency 83 %
LEDs/each optic 1
Light colour White
Required components:



LED NVSxx19A
FWHM / FWTM 43.0° / 63.0°
Efficiency 87 %
LEDs/each optic 1
Light colour White
Required components: