

## LR2-W

~35° wide beam. 14.6 mm high assembly with installation tape.

### TECHNICAL SPECIFICATIONS:

Dimensions	Ø 21.6 mm
Height	14.6 mm
Fastening	tape, pin
ROHS compliant	yes ⓘ

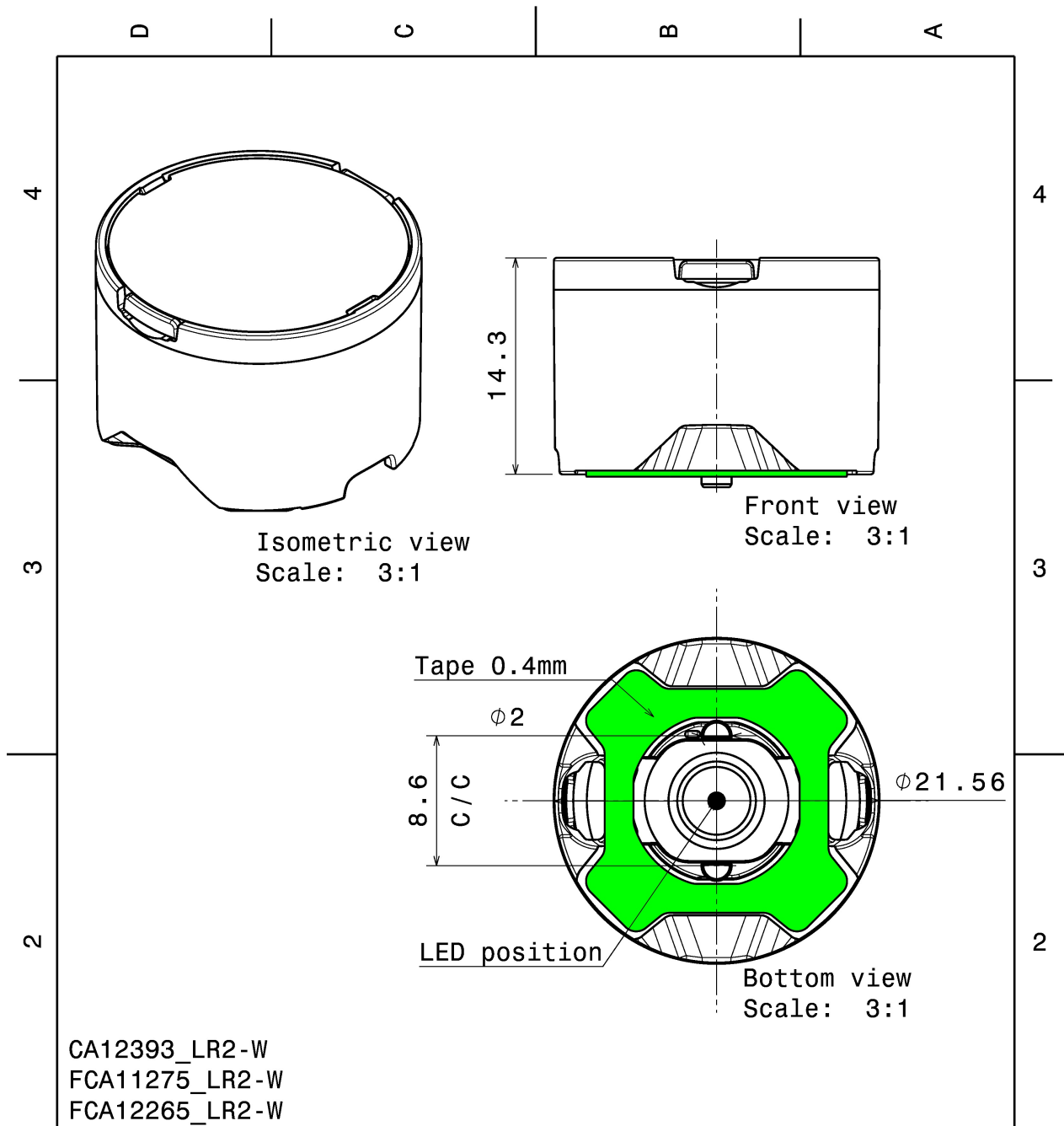
### MATERIAL SPECIFICATIONS:

Component	Type	Material	Colour	Finish
LR1-W	Single lens	PMMA		
LR2-LH1-WHT	Holder	PC		
HEIDI-TAPE	Tape	PU tape		



### ORDERING INFORMATION:

Component		Qty in box	MOQ	MPQ	Box weight (kg)
FCA12265_LR2-W	Single lens	1680	336	112	10.0
» Box size: 480 x 280 x 300 mm					

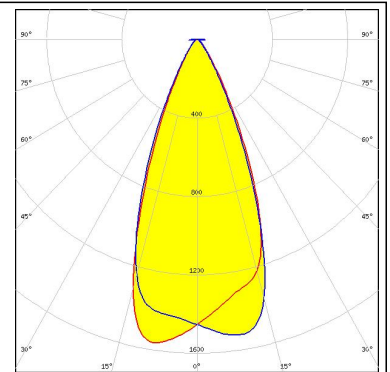


Tolerances if not otherwise shown According to DIN ISO 2768-1 Linear measures: Up to 30mm class M, otherwise class C. According to DIN ISO 2768-2 Form and position: class L		<b>LEDiL</b> Ledil Oy Salorankatu 10 FIN 24240 SALO Finland	
THIRD ANGLE PROJECTION:		<b>DRAWING TITLE</b> Leila-LR2-W	
This drawing is the property of LEDiL Oy. It may not be reproduced, copied or communicated without a written agreement with LEDiL Oy.		<b>SIZE</b> A4	<b>PART NUMBER</b> -
<b>SCALE</b> 3:1		<b>WEIGHT</b> -	<b>SHEET</b> 1/1

### PHOTOMETRIC DATA (MEASURED):

**CREE** 

LED XD16  
FWHM 43.0°  
Efficiency 91 %  
Peak intensity 1.600 cd/lm  
LEDs/each optic 1  
Light colour White  
Required components:



**OSRAM**  
Opto Semiconductors

LED OSOLON SSL 150  
FWHM 37.0°  
Efficiency 94 %  
Peak intensity 2.100 cd/lm  
LEDs/each optic 1  
Light colour White  
Required components:

