

EVA-O

~40° x 15° oval beam. Assembly with holder including location pins and installation tape.

SPECIFICATION:

Dimensions	Ø 37.7 mm
Height	17.2 mm
Fastening	tape, pin
ROHS compliant	yes ⓘ

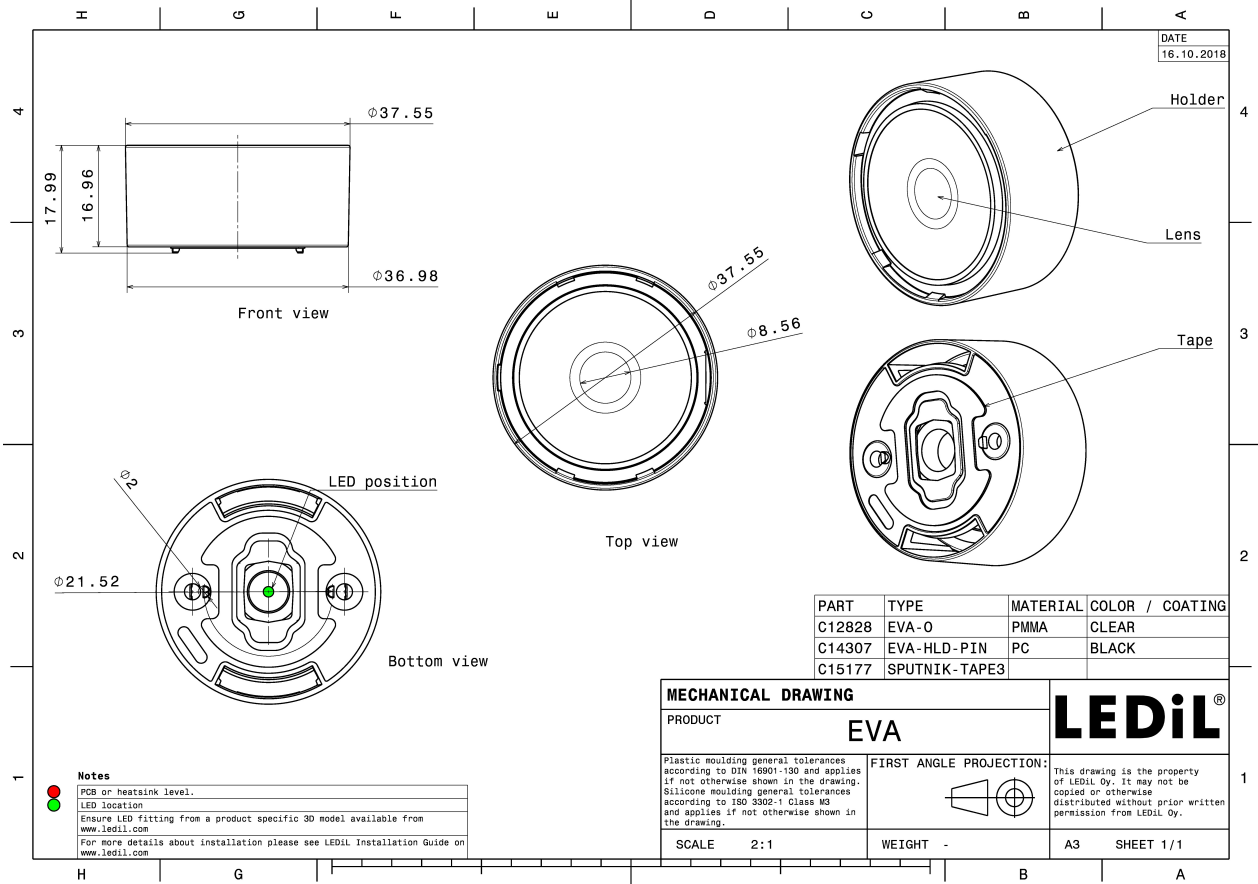
MATERIALS:

Component	Type	Material	Colour	Finish
EVA-O	Single lens	PMMA	clear	
EVA-HLD-PIN	Holder	PC	black	
SPUTNIK-TAPE3	Tape	Acrylic foam	black	



ORDERING INFORMATION:

Component		Qty in box	MOQ	MPQ	Box weight (kg)
CA14403_EVA-O	Single lens	675	90	45	10.0
» Box size: 480 x 280 x 300 mm					

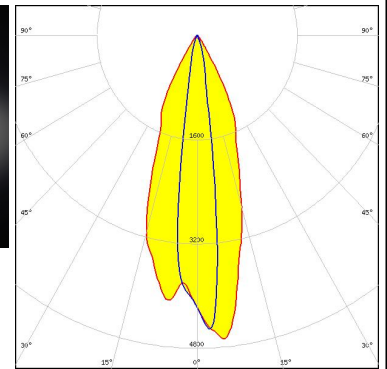


See also our general installation guide: www.ledil.com/installation_guide

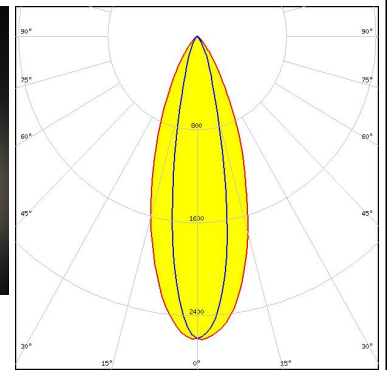
OPTICAL RESULTS (MEASURED):



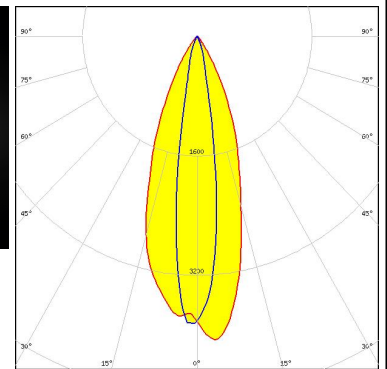
LED XP-E
 FWHM / FWTM 35.0 + 14.0° / 64.0 + 28.0°
 Efficiency 89 %
 Peak intensity 5 cd/lm
 LEDs/each optic 1
 Light colour White
 Required components:



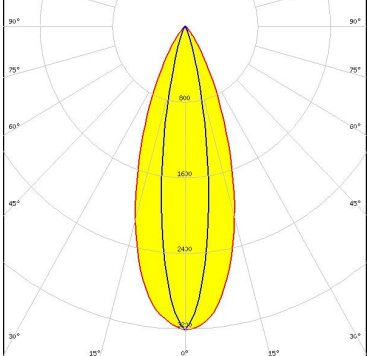
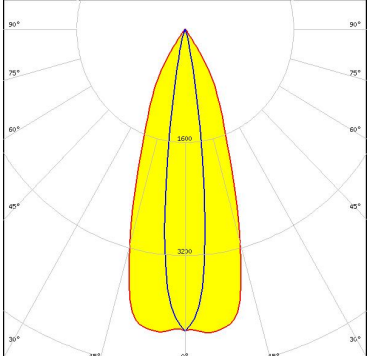
LED LUXEON M/MX
 FWHM / FWTM 20.5 + 37.0° / 42.0 + 71.0°
 Efficiency 83 %
 Peak intensity 2.7 cd/lm
 LEDs/each optic 1
 Light colour White
 Required components:



LED NVSW219F
 FWHM / FWTM 36.0 + 16.0° / 66.0 + 32.0°
 Efficiency 87 %
 Peak intensity 4.1 cd/lm
 LEDs/each optic 1
 Light colour White
 Required components:



OPTICAL RESULTS (SIMULATED):

<p>CREE LEDs</p> <p>LED: XHP35.2 HD FWHM / FWTM: 38.0 + 18.0° / 68.0 + 36.0° Efficiency: 85 % Peak intensity: 3.2 cd/lm LEDs/each optic: 1 Light colour: White Required components:</p>	
<p>CREE LEDs</p> <p>LED: XP-E2 FWHM / FWTM: 38.0 + 14.0° / 67.0 + 26.0° Efficiency: 92 % Peak intensity: 4.3 cd/lm LEDs/each optic: 1 Light colour: White Required components:</p>	
<p>SEMI SEOUL SEMICONDUCTOR</p> <p>LED: Z8Y22P FWHM / FWTM: 17.0 + 38.0° / 30.0 + 64.0° Efficiency: 97 % Peak intensity: 4.2 cd/lm LEDs/each optic: 1 Light colour: White Required components:</p>	