

STRADA-SQ-FS3-NP

Forward throw beam optimized for European tunnels, resulting in extremely efficient lighting with counter-beam method. Version without location pins. Assembly with installation tape.

SPECIFICATION:

Dimensions	25.0 x 25.0 mm
Height	16.3 mm
Fastening	tape
ROHS compliant	yes ⓘ

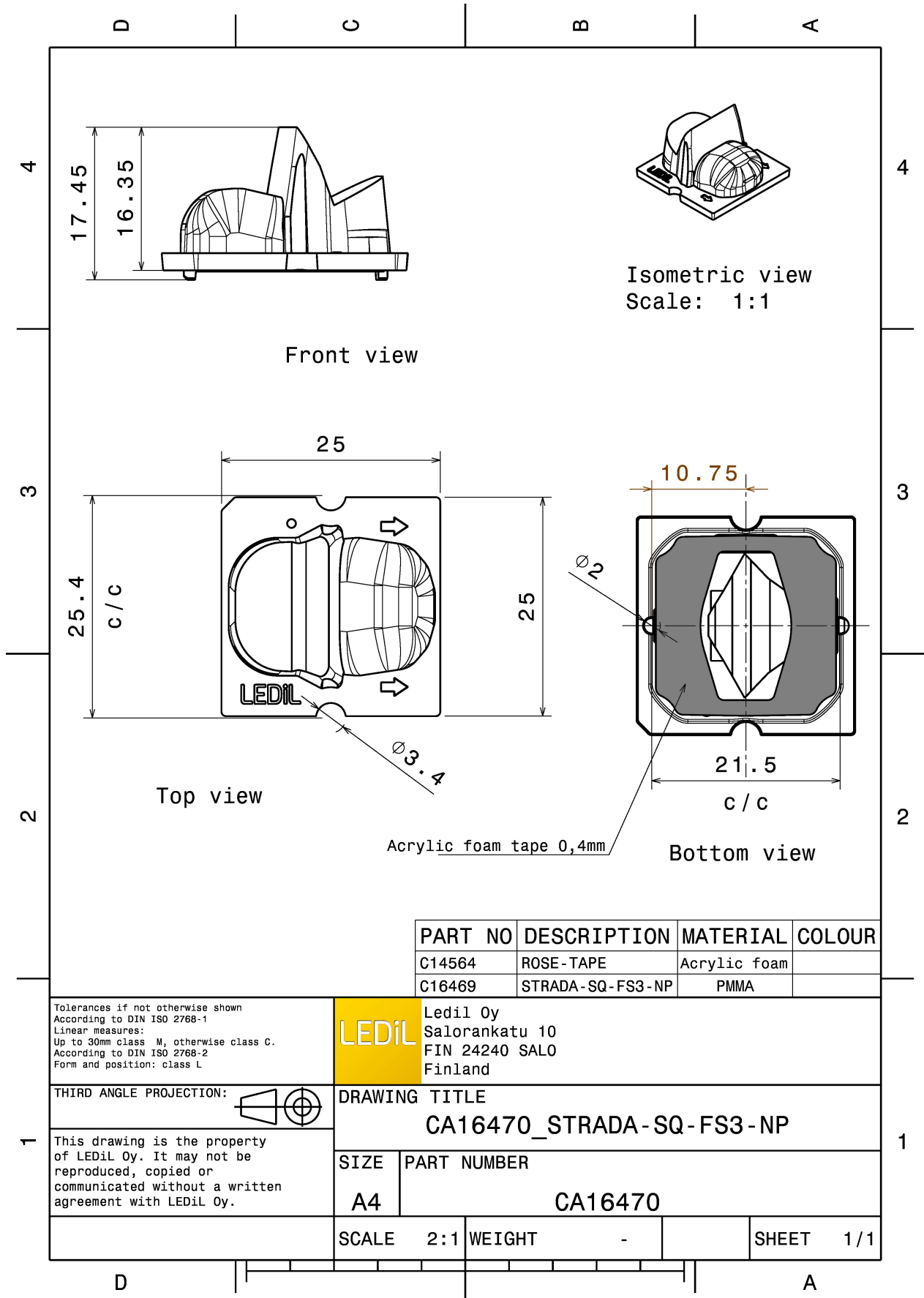


MATERIALS:

Component	Type	Material	Colour	Finish
STRADA-SQ-FS3-NP	Single lens	PMMA	clear	
ROSE-TAPE	Tape	Acrylic foam	black	

ORDERING INFORMATION:

Component	Type	Qty in box	MOQ	MPQ	Box weight (kg)
CA16470_STRADA-SQ-FS3-NP	Single lens	1470	294	98	7.7
» Box size: 480 x 280 x 300 mm					

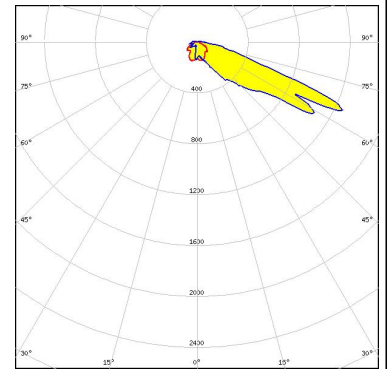


See also our general installation guide: www.ledil.com/installation_guide

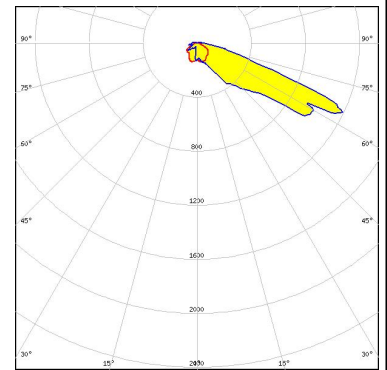
OPTICAL RESULTS (MEASURED):



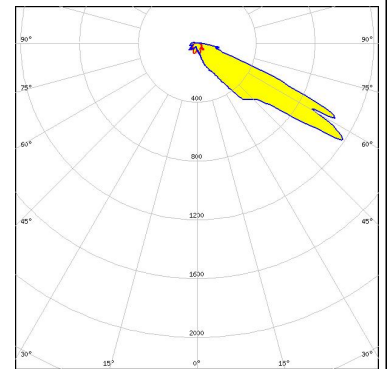
LED MK-R
 FWHM / FWTM Asymmetric
 Efficiency 87 %
 Peak intensity 1.3 cd/lm
 LEDs/each optic 1
 Light colour White
 Required components:



LED LUXEON M/MX
 FWHM / FWTM Asymmetric
 Efficiency 90 %
 Peak intensity 1.2 cd/lm
 LEDs/each optic 1
 Light colour White
 Required components:



LED LUXEON MZ
 FWHM / FWTM Asymmetric
 Efficiency 90 %
 Peak intensity 2.4 cd/lm
 LEDs/each optic 1
 Light colour White
 Required components:

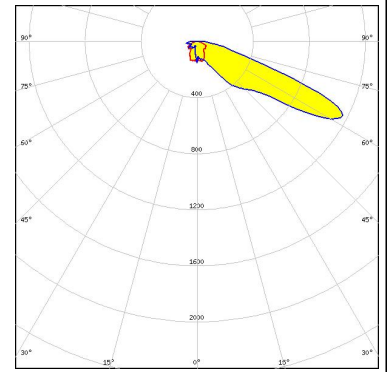


LED Duris S10
 FWHM / FWTM Asymmetric
 Efficiency 86 %
 Peak intensity 1.1 cd/lm
 LEDs/each optic 1
 Light colour White
 Required components:

OPTICAL RESULTS (SIMULATED):



LED XHP50.2
 FWHM / FWTM Asymmetric
 Efficiency 87 %
 Peak intensity 1.2 cd/lm
 LEDs/each optic 1
 Light colour White
 Required components:



LED XHP50.2
 FWHM / FWTM Asymmetric
 Efficiency 80 %
 Peak intensity 1.1 cd/lm
 LEDs/each optic 1
 Light colour White
 Required components:



LED XHP70
 FWHM / FWTM Asymmetric
 Efficiency 77 %
 Peak intensity 0.9 cd/lm
 LEDs/each optic 1
 Light colour White
 Required components:



LED XM-L2
 FWHM / FWTM Asymmetric
 Efficiency 88 %
 Peak intensity 2 cd/lm
 LEDs/each optic 1
 Light colour White
 Required components:

OPTICAL RESULTS (SIMULATED):

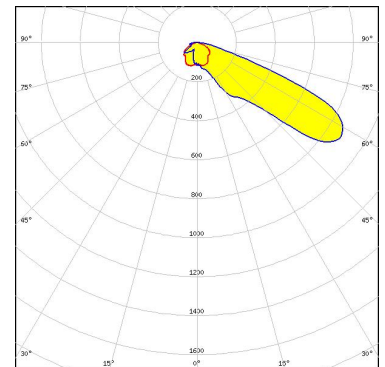


LED XT-E
FWHM / FWTM Asymmetric
Efficiency 87 %
Peak intensity 2.5 cd/lm
LEDs/each optic 1
Light colour White
Required components:



LED LUXEON 7070
FWHM / FWTM Asymmetric
Efficiency 74 %
Peak intensity 0.9 cd/lm
LEDs/each optic 1
Light colour White
Required components:

Protective plate, glass



LED OSCONIQ P 7070
FWHM / FWTM Asymmetric
Efficiency 85 %
Peak intensity 1.4 cd/lm
LEDs/each optic 1
Light colour White
Required components:



LED OSCONIQ P 7070
FWHM / FWTM Asymmetric
Efficiency 94 %
Peak intensity 1.4 cd/lm
LEDs/each optic 1
Light colour White
Required components: