

## IRIE-A

~120° x 90° rectangle beam for 4:3 aspect ratio cameras. Assembly with tape.

### TECHNICAL SPECIFICATIONS:

Dimensions	14.0 x 14.0 mm
Height	5.1 mm
Fastening	tape, pin
ROHS compliant	yes ⓘ

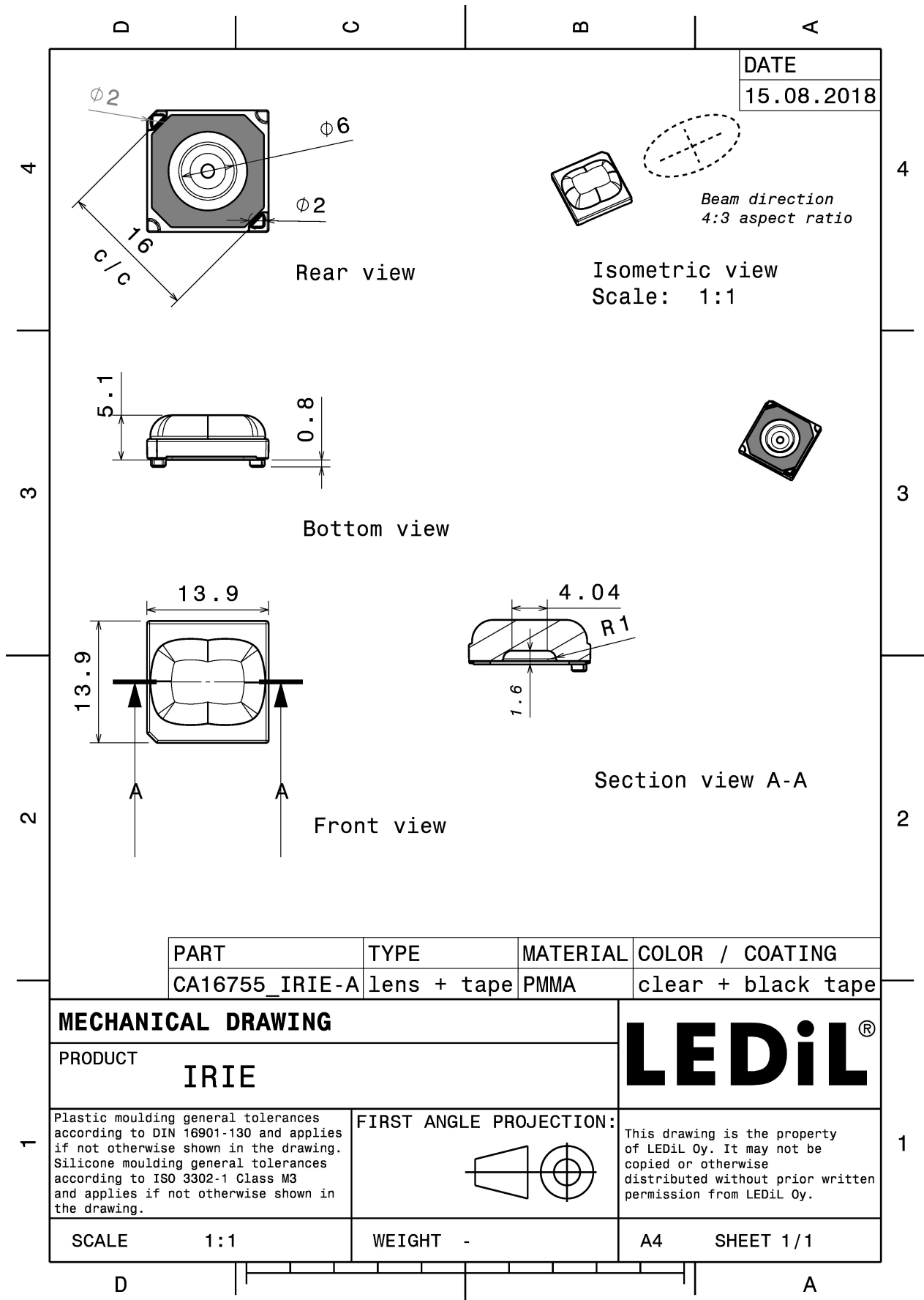


### MATERIAL SPECIFICATIONS:

Component	Type	Material	Colour	Finish
IRIE-A	Single lens	PMMA	clear	
VERONICA-SQ-MINI-TAPE	Tape	Acrylic foam	clear	

### ORDERING INFORMATION:

Component	Type	Qty in box	MOQ	MPQ	Box weight (kg)
CA16755_IRIE-A » Box size: 480 x 280 x 300 mm	Single lens	5544	252	252	5.5



See also our general installation guide: [www.ledil.com/installation\\_guide](http://www.ledil.com/installation_guide)

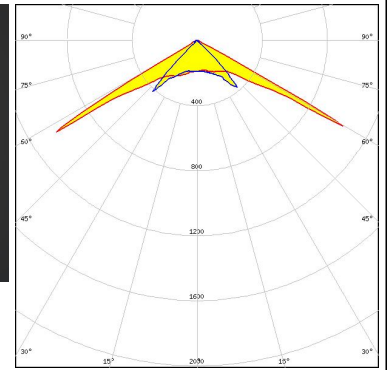
### PHOTOMETRIC DATA (MEASURED):

#### LUMILEDS


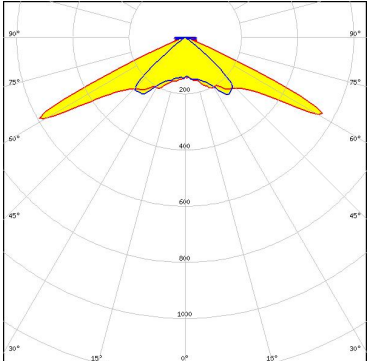

LED LUXEON IR 2720  
FWHM / FWTM Asymmetric  
Efficiency %  
LEDs/each optic 1  
Light colour IR  
Required components:

#### LUMILEDS

LED LUXEON Z  
FWHM / FWTM Asymmetric  
Efficiency 94 %  
Peak intensity 1.5 cd/lm  
LEDs/each optic 1  
Light colour White  
Required components:



### PHOTOMETRIC DATA (SIMULATED):

<p></p> <p>LED LUXEON IR Compact FWHM / FWTM Asymmetric Efficiency 93 % LEDs/each optic 1 Light colour White Required components:</p>	
<p> Opto Semiconductors</p> <p>LED SFH 4770S FWHM / FWTM Asymmetric Efficiency 93 % LEDs/each optic 1 Light colour White Required components:</p>	