

EMERALD-ER1-PC

Rectangular beam for escape routes with up to 5 m mounting height. Assembly with installation tape.

SPECIFICATION:

Dimensions	Ø 21.6 mm
Height	7.8 mm
Fastening	tape, pin
ROHS compliant	yes ⓘ

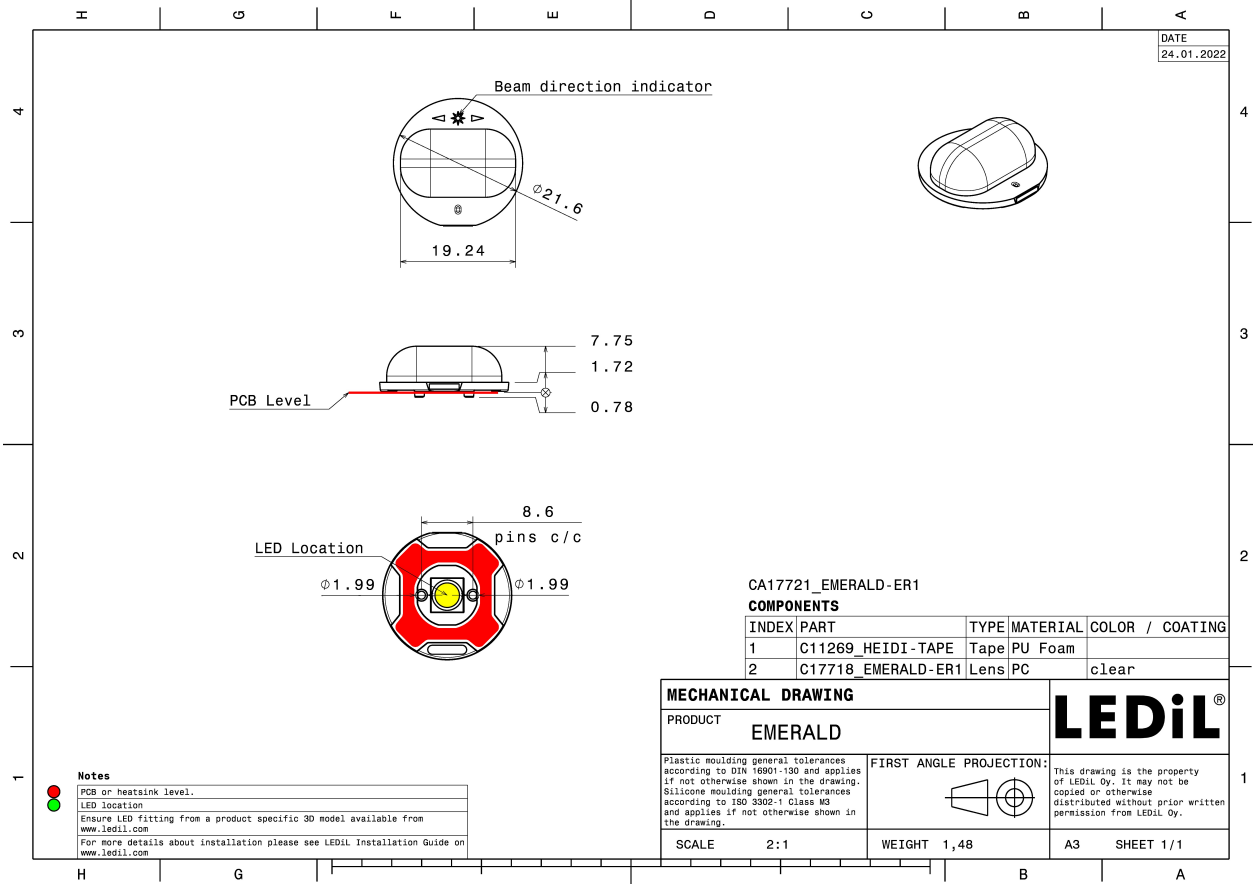


MATERIALS:

Component	Type	Material	Colour	Finish
EMERALD-ER1-PC	Single lens	PC	clear	
HEIDI-TAPE	Tape	Acrylic foam	black	

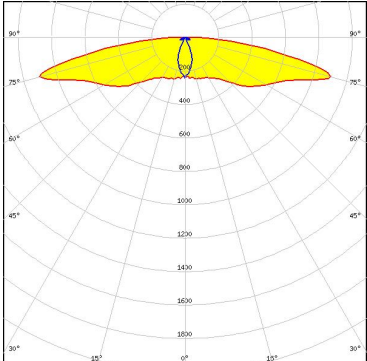
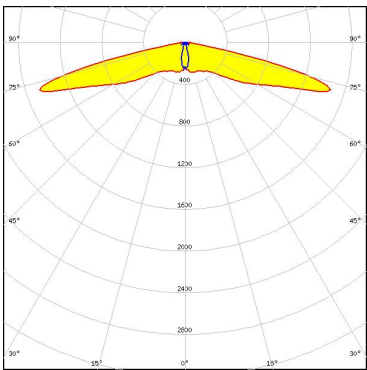
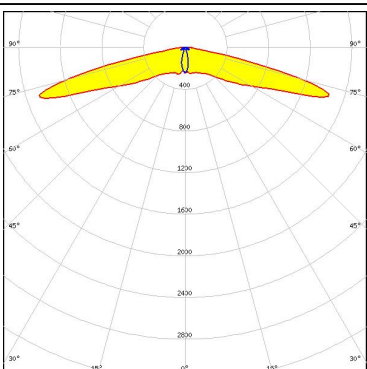
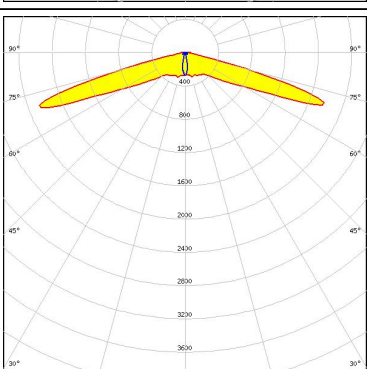
ORDERING INFORMATION:

Component	Type	Qty in box	MOQ	MPQ	Box weight (kg)
CA17721_EMERALD-ER1-PC	Single lens	3456	288	144	7.2
» Box size: 480 x 280 x 300 mm					



See also our general installation guide: www.ledil.com/installation_guide

OPTICAL RESULTS (SIMULATED):

<p>CREE LEDs</p> <p>LED: XHP35 HD FWHM / FWTM: Asymmetric Efficiency: 85 % Peak intensity: 0.9 cd/lm LEDs/each optic: 1 Light colour: White Required components:</p>	
<p>CREE LEDs</p> <p>LED: XHP35 HI FWHM / FWTM: Asymmetric Efficiency: 86 % Peak intensity: 1.5 cd/lm LEDs/each optic: 1 Light colour: White Required components:</p>	
<p>CREE LEDs</p> <p>LED: XP-G3 FWHM / FWTM: Asymmetric Efficiency: 86 % Peak intensity: 1.5 cd/lm LEDs/each optic: 1 Light colour: White Required components:</p>	
<p>CREE LEDs</p> <p>LED: XT-E FWHM / FWTM: 149.0 + 24.0° / 156.0 + 136.0° Efficiency: 86 % Peak intensity: 1.9 cd/lm LEDs/each optic: 1 Light colour: White Required components:</p>	

OPTICAL RESULTS (SIMULATED):

OSRAM

Opto Semiconductors

LED	OSLON Square CSSRM2/CSSRM3
FWHM / FWTM	151.0 + 26.0° / 159.0 + 132.0°
Efficiency	87 %
Peak intensity	1.9 cd/lm
LEDs/each optic	1
Light colour	White
Required components:	

