

TINA2-O-90

~35° + 15° oval beam. Assembly with holder and installation tape. Pin position rotated 90°.

TECHNICAL SPECIFICATIONS:

Dimensions	Ø 16.0 mm
Height	9.5 mm
Fastening	tape, pin
ROHS compliant	yes ⓘ

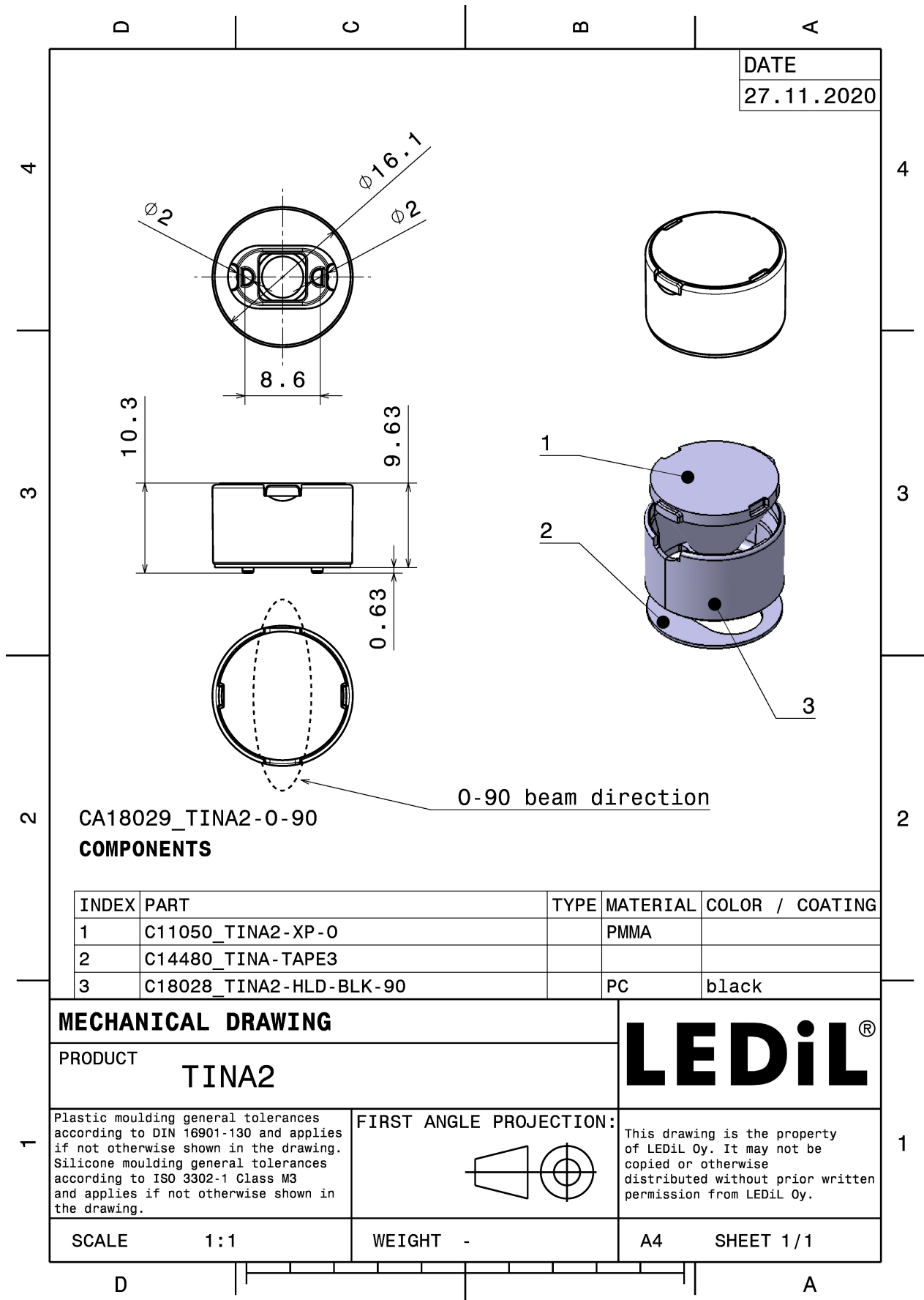


MATERIAL SPECIFICATIONS:

Component	Type	Material	Colour	Finish
TINA2-XP-O	Single lens	PMMA	clear	
TINA2-HLD-BLK-90	Holder	PC	black	gloss
TINA-TAPE3	Tape	PU tape	black	

ORDERING INFORMATION:

Component		Qty in box	MOQ	MPQ	Box weight (kg)
CA18029_TINA2-O-90	Single lens	4140	230	230	7.9
» Box size: 451 x 241 x 298 mm					



See also our general installation guide: www.ledil.com/installation_guide

PHOTOMETRIC DATA (MEASURED):

OSRAM
Opto Semiconductors

LED OSLON Square EC
FWHM / FWTM 16.0 + 37.0° / 39.0 + 64.0°
Efficiency 82 %
Peak intensity 3.3 cd/lm
LEDs/each optic 1
Light colour White
Required components:

