

## EMERALD-FS-PC

Asymmetric beam for emergency equipment lighting. Variant with installation tape.

### SPECIFICATION:

Dimensions	Ø 21.6 mm
Height	0 mm
Fastening	tape, pin
ROHS compliant	yes ⓘ

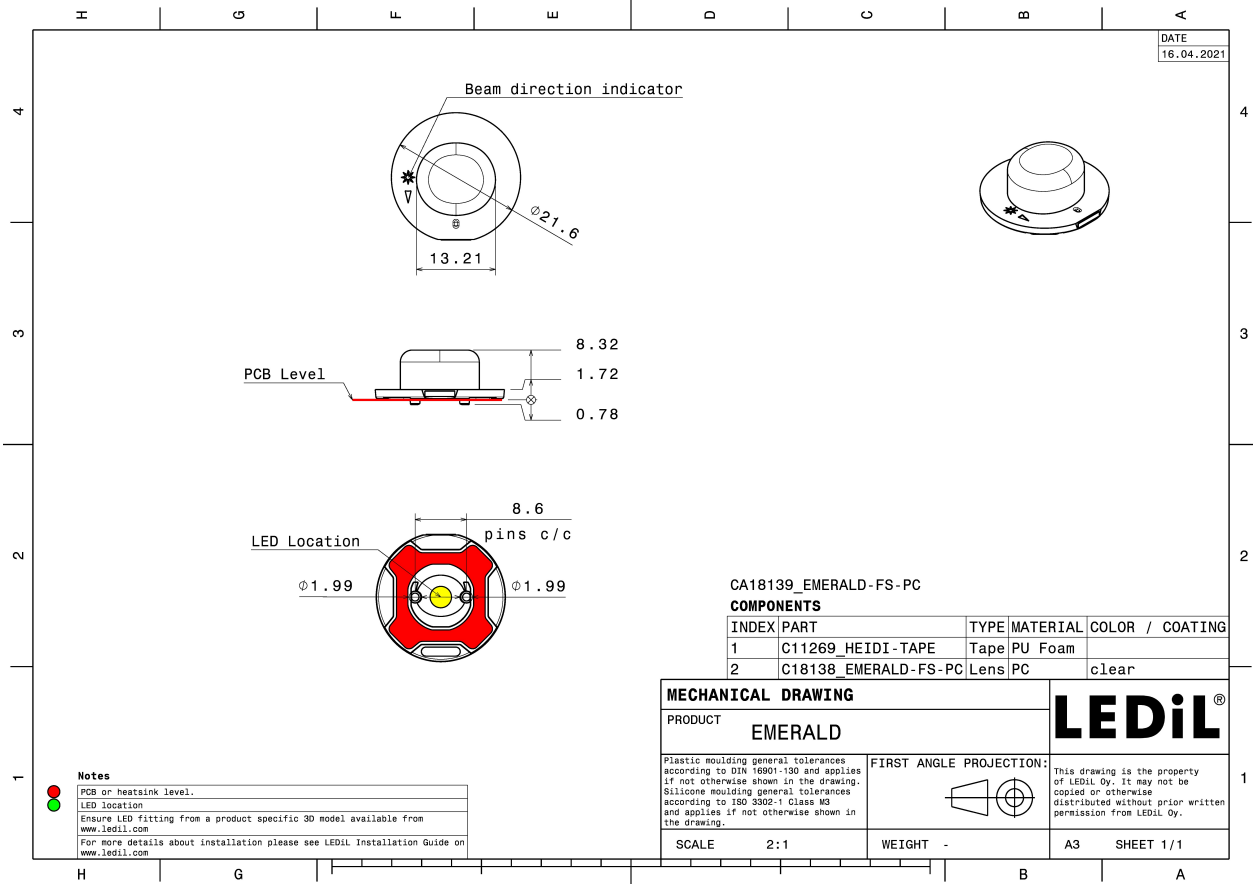


### MATERIALS:

Component	Type	Material	Colour	Finish
EMERALD-FS-PC	Single lens	PC	clear	
HEIDI-TAPE	Tape	Acrylic foam	black	

### ORDERING INFORMATION:

Component		Qty in box	MOQ	MPQ	Box weight (kg)
CA18139_EMERALD-FS-PC	Single lens	3456	288	144	5.9
» Box size: 480 x 280 x 300 mm					

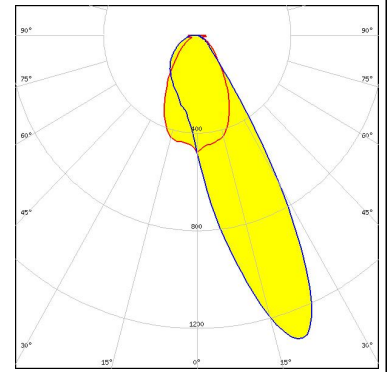


See also our general installation guide: [www.ledil.com/installation\\_guide](http://www.ledil.com/installation_guide)

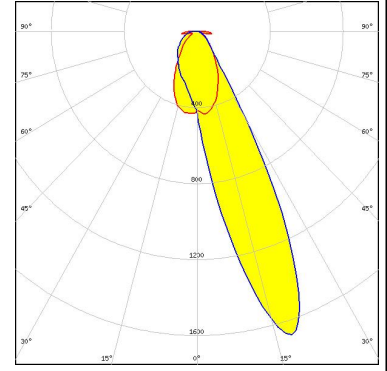
#### OPTICAL RESULTS (SIMULATED):



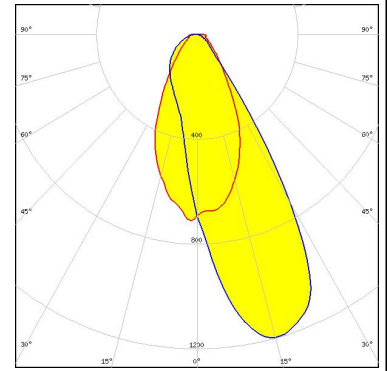
LED XP-G3  
 FWHM / FWTM Asymmetric  
 Efficiency 88 %  
 Peak intensity 1.3 cd/lm  
 LEDs/each optic 1  
 Light colour White  
 Required components:



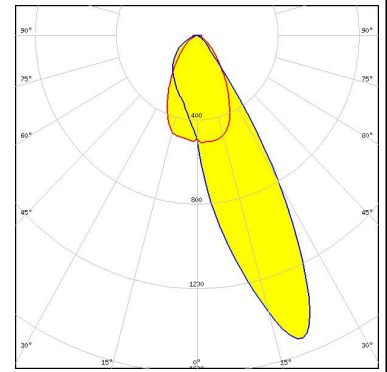
LED XT-E  
 FWHM / FWTM Asymmetric  
 Efficiency 88 %  
 Peak intensity 1.7 cd/lm  
 LEDs/each optic 1  
 Light colour White  
 Required components:



LED LUXEON 5050 Square LES  
 FWHM / FWTM Asymmetric  
 Efficiency 91 %  
 Peak intensity 1.2 cd/lm  
 LEDs/each optic 1  
 Light colour White  
 Required components:



LED LUXEON HL2X  
 FWHM / FWTM Asymmetric  
 Efficiency 90 %  
 Peak intensity 1.5 cd/lm  
 LEDs/each optic 1  
 Light colour White  
 Required components:



#### OPTICAL RESULTS (SIMULATED):

**OSRAM**  
Opto Semiconductors

LED	OSLON Square CSSRM2/CSSRM3
FWHM / FWTM	Asymmetric
Efficiency	91 %
Peak intensity	1.7 cd/lm
LEDs/each optic	1
Light colour	White
Required components:	

