

VERONICA-SQ-WG

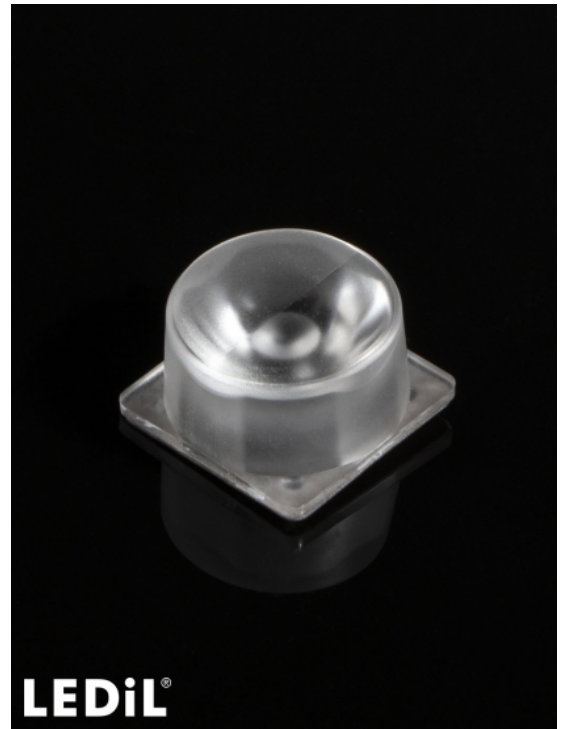
Narrow asymmetric spot beam for wall grazing

TECHNICAL SPECIFICATIONS:

Dimensions	Ø 22.5 mm
Height	13.6 mm
Fastening	tape, pin
ROHS compliant	yes ⓘ

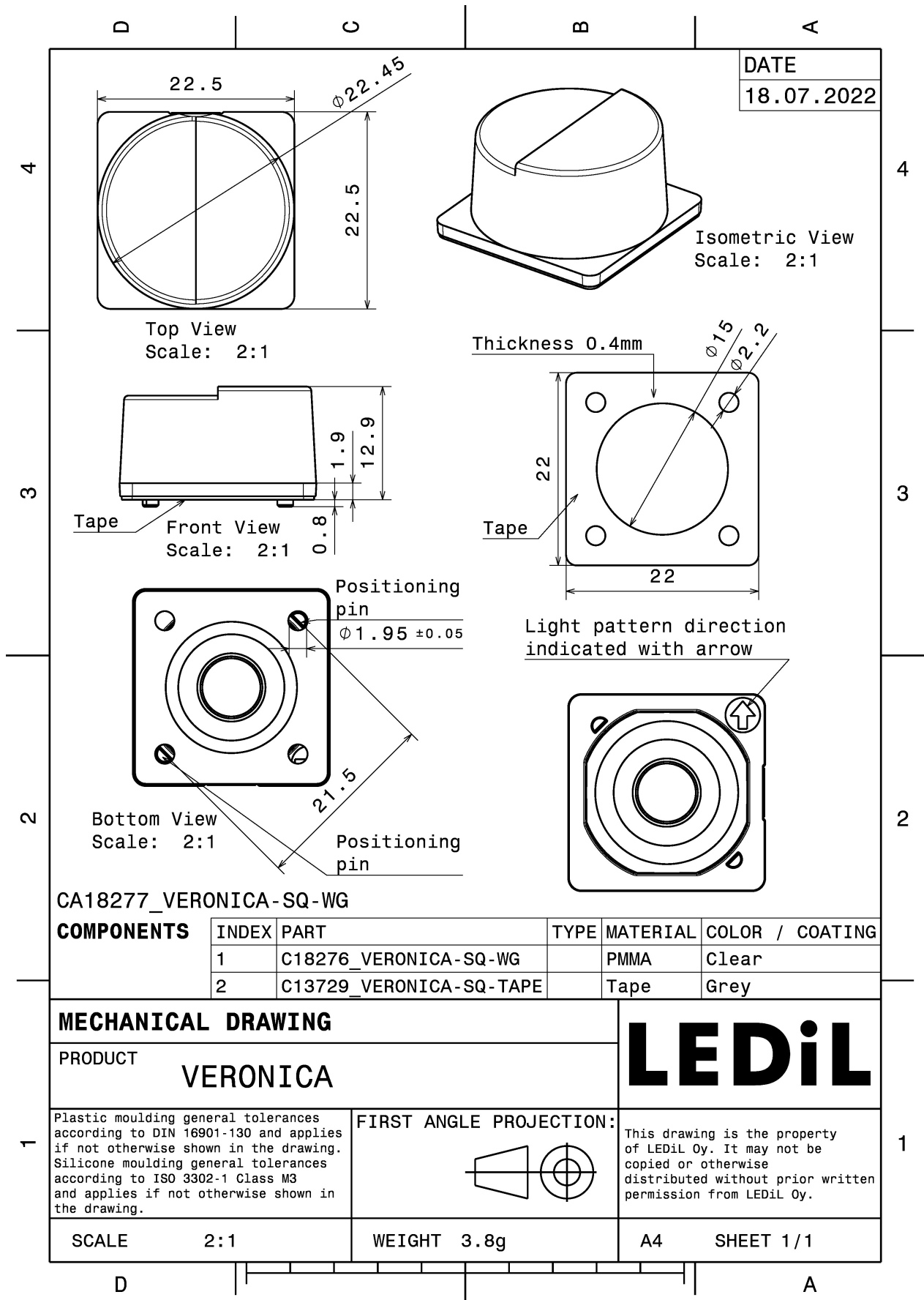
MATERIAL SPECIFICATIONS:

Component	Type	Material	Colour	Finish
VERONICA-SQ-WG	Single lens	PMMA	clear	matt
VERONICA-TAPE	Tape	Acrylic foam	clear	



ORDERING INFORMATION:

Component	Type	Qty in box	MOQ	MPQ	Box weight (kg)
CA18277_VERONICA-SQ-WG » Box size: 476 x 273 x 197 mm	Single lens	1980	360	180	8.4



See also our general installation guide: www.ledil.com/installation_guide

PHOTOMETRIC DATA (MEASURED):



LED	XT-E
FWHM / FWTM	Asymmetric
Efficiency	91 %
Peak intensity	9.1 cd/lm
LEDs/each optic	1
Light colour	White
Required components:	

