

TINA-Y-RS-WHT

~14° spot beam. Assembly with holder, installation tape and pins. White version

TECHNICAL SPECIFICATIONS:

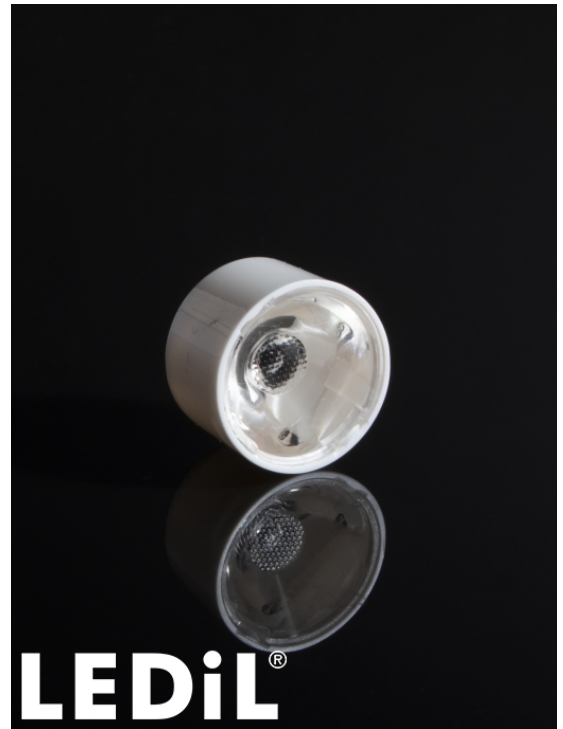
Dimensions	Ø 16.1 mm
Height	10 mm
Fastening	tape, pin
ROHS compliant	yes ⓘ

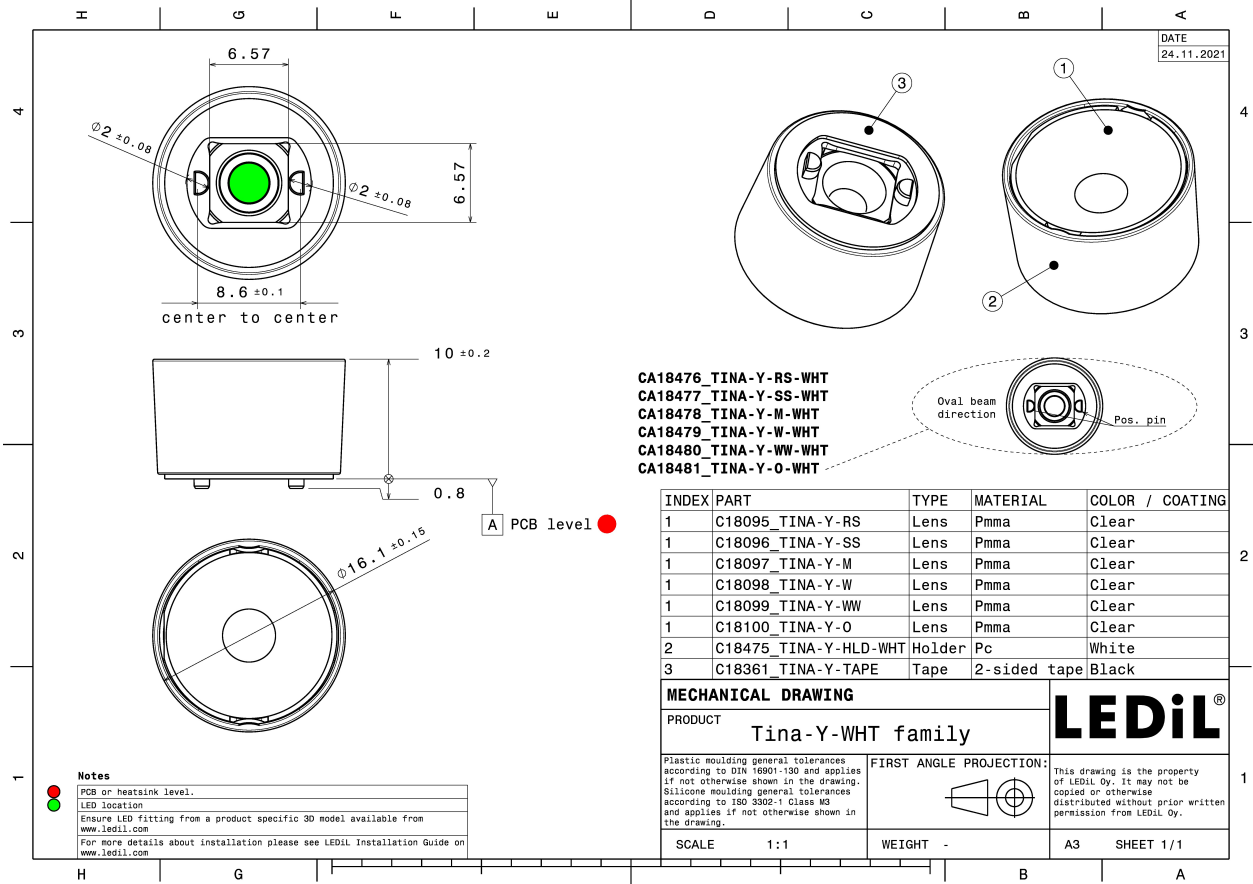
MATERIAL SPECIFICATIONS:

Component	Type	Material	Colour	Finish
TINA-Y-RS	Single lens	PMMA	clear	gloss
TINA-Y-HLD-WHT	Holder	PC	white	
TINA-Y-TAPE	Tape	Acrylic foam		

ORDERING INFORMATION:

Component	Qty in box	MOQ	MPQ	Box weight (kg)
CA18476_TINA-Y-RS-WHT » Box size: 476 x 273 x 197 mm	3900	300	300	5.7



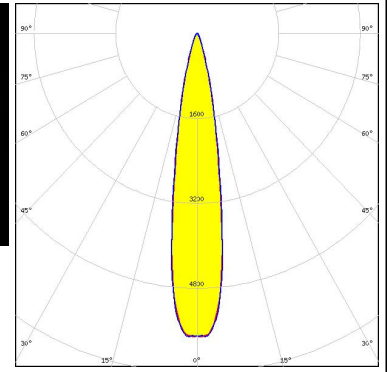
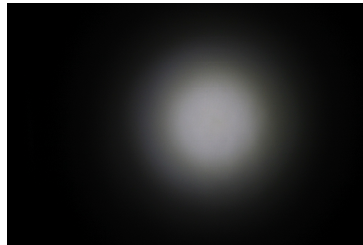


See also our general installation guide: www.ledil.com/installation_guide

PHOTOMETRIC DATA (MEASURED):



LED XP-G3
FWHM / FWTM 18.0° / 36.0°
Efficiency 88 %
Peak intensity 5.8 cd/lm
LEDs/each optic 1
Light colour White
Required components:

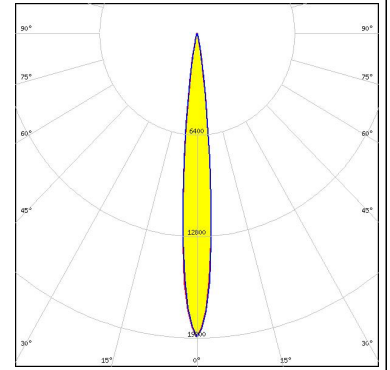


PHOTOMETRIC DATA (SIMULATED):

OSRAM

Opto Semiconductors

LED OSLON SSL 150
FWHM / FWTM 10.0° / 20.0°
Efficiency 96 %
Peak intensity 19.1 cd/lm
LEDs/each optic 1
Light colour White
Required components:



SAMSUNG

LED LH351B
FWHM / FWTM 18.0° / 32.0°
Efficiency 95 %
Peak intensity 7.2 cd/lm
LEDs/each optic 1
Light colour White
Required components:

