

## TINA-Y-SS-WHT

~16° smooth spot beam. Assembly with holder, installation tape and pins. White version.

### TECHNICAL SPECIFICATIONS:

Dimensions	Ø 16.1 mm
Height	10 mm
Fastening	tape, pin
ROHS compliant	yes ⓘ

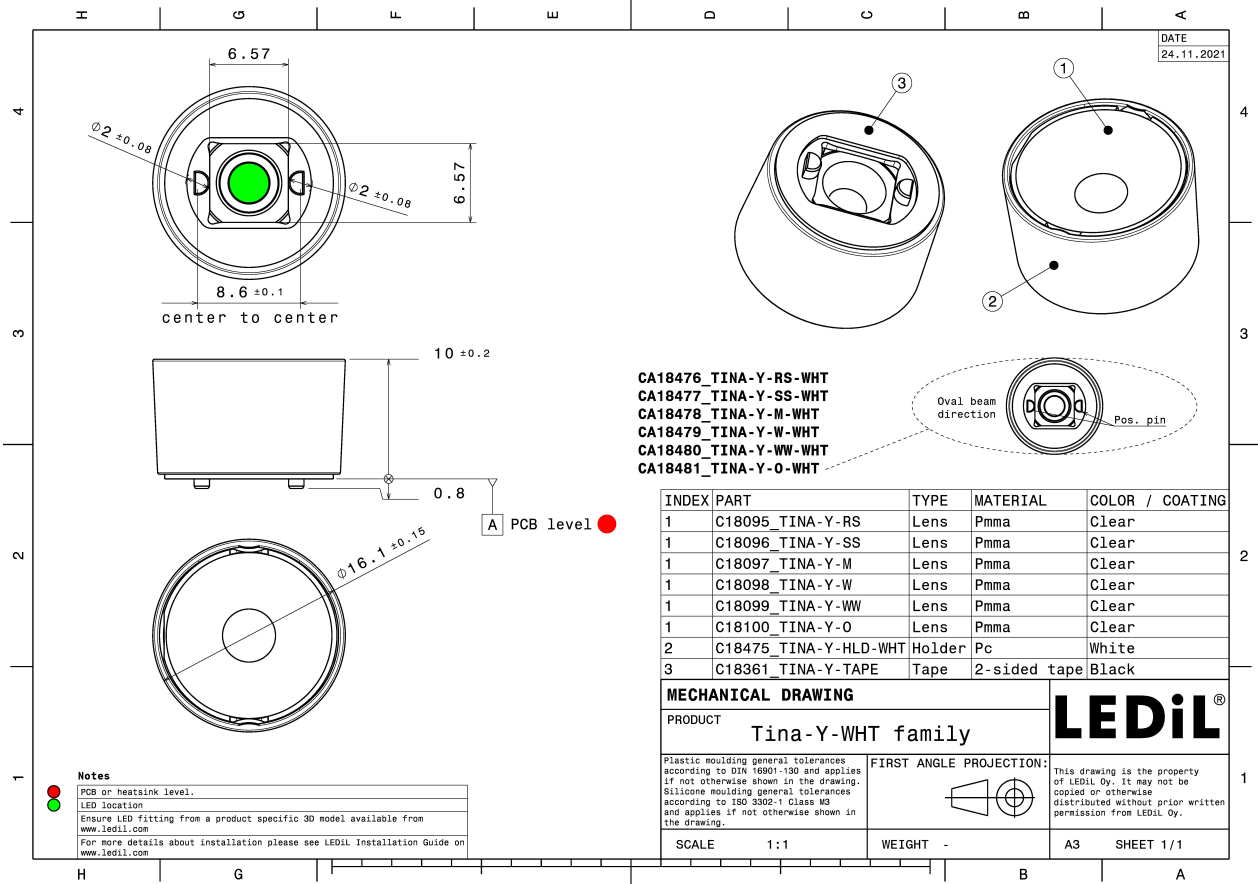
### MATERIAL SPECIFICATIONS:

Component	Type	Material	Colour	Finish
TINA-Y-SS	Single lens	PMMA	clear	gloss
TINA-Y-HLD-WHT	Holder	PC	white	
TINA-Y-TAPE	Tape	Acrylic foam		



### ORDERING INFORMATION:

Component	Qty in box	MOQ	MPQ	Box weight (kg)
CA18477_TINA-Y-SS-WHT » Box size: 476 x 273 x 197 mm	3900	300	300	5.7

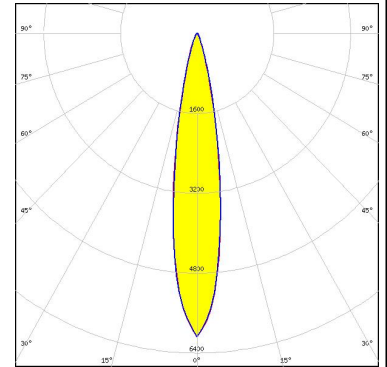


See also our general installation guide: [www.ledil.com/installation\\_guide](http://www.ledil.com/installation_guide)

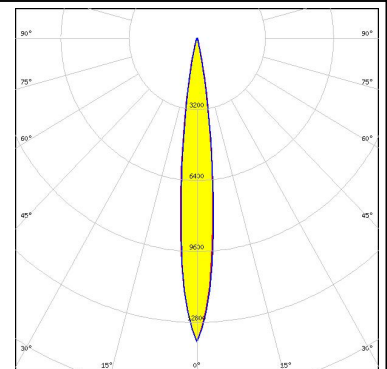
### PHOTOMETRIC DATA (SIMULATED):



LED XP-G3  
FWHM / FWTM 18.0° / 36.0°  
Efficiency 93 %  
Peak intensity 6.1 cd/lm  
LEDs/each optic 1  
Light colour White  
Required components:



LED OSLOM SSL 150  
FWHM / FWTM 12.0° / 24.0°  
Efficiency 96 %  
Peak intensity 13.7 cd/lm  
LEDs/each optic 1  
Light colour White  
Required components:



LED LH351B  
FWHM / FWTM 18.0° / 34.0°  
Efficiency 95 %  
Peak intensity 7 cd/lm  
LEDs/each optic 1  
Light colour White  
Required components:

