

TINA-Y-M-WHT

~25° medium beam. Assembly with holder, installation tape and pins. White version

TECHNICAL SPECIFICATIONS:

Dimensions	Ø 16.1 mm
Height	10 mm
Fastening	tape, pin
ROHS compliant	yes ⓘ

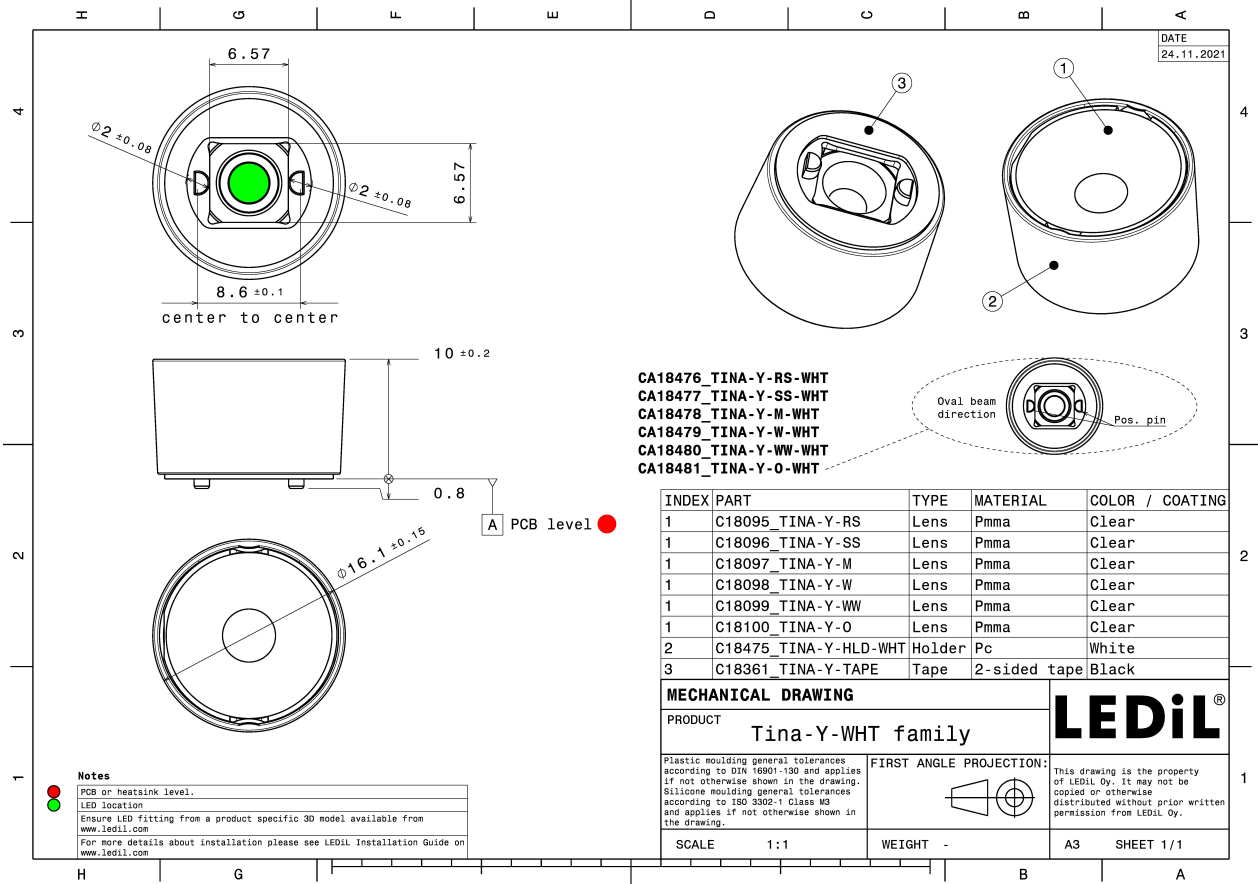
MATERIAL SPECIFICATIONS:

Component	Type	Material	Colour	Finish
TINA-Y-M	Single lens	PMMA	clear	gloss
TINA-Y-HLD-WHT	Holder	PC	white	
TINA-Y-TAPE	Tape	Acrylic foam		

ORDERING INFORMATION:

Component	Qty in box	MOQ	MPQ	Box weight (kg)
CA18478_TINA-Y-M-WHT » Box size: 476 x 273 x 197 mm	3900	300	300	6.0



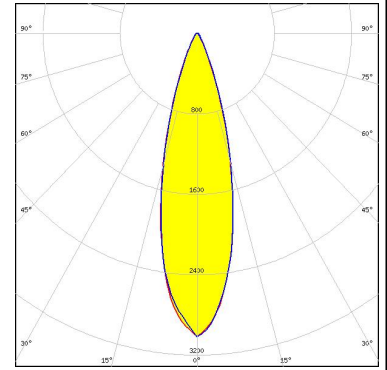


See also our general installation guide: www.ledil.com/installation_guide

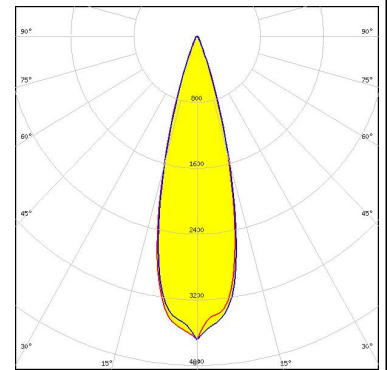
PHOTOMETRIC DATA (SIMULATED):



LED XP-G3
FWHM / FWTM 28.0° / 50.0°
Efficiency 93 %
Peak intensity 3 cd/lm
LEDs/each optic 1
Light colour White
Required components:



LED OSLOM SSL 150
FWHM / FWTM 28.0° / 44.0°
Efficiency 96 %
Peak intensity 3.7 cd/lm
LEDs/each optic 1
Light colour White
Required components:



LED LH351B
FWHM / FWTM 26.0° / 48.0°
Efficiency 95 %
Peak intensity 3.5 cd/lm
LEDs/each optic 1
Light colour White
Required components:

