

## TINA-Y-W-WHT

~36° wide beam. Assembly with holder, installation tape and pins. White version

### TECHNICAL SPECIFICATIONS:

Dimensions	Ø 16.1 mm
Height	10 mm
Fastening	tape, pin
ROHS compliant	yes ⓘ

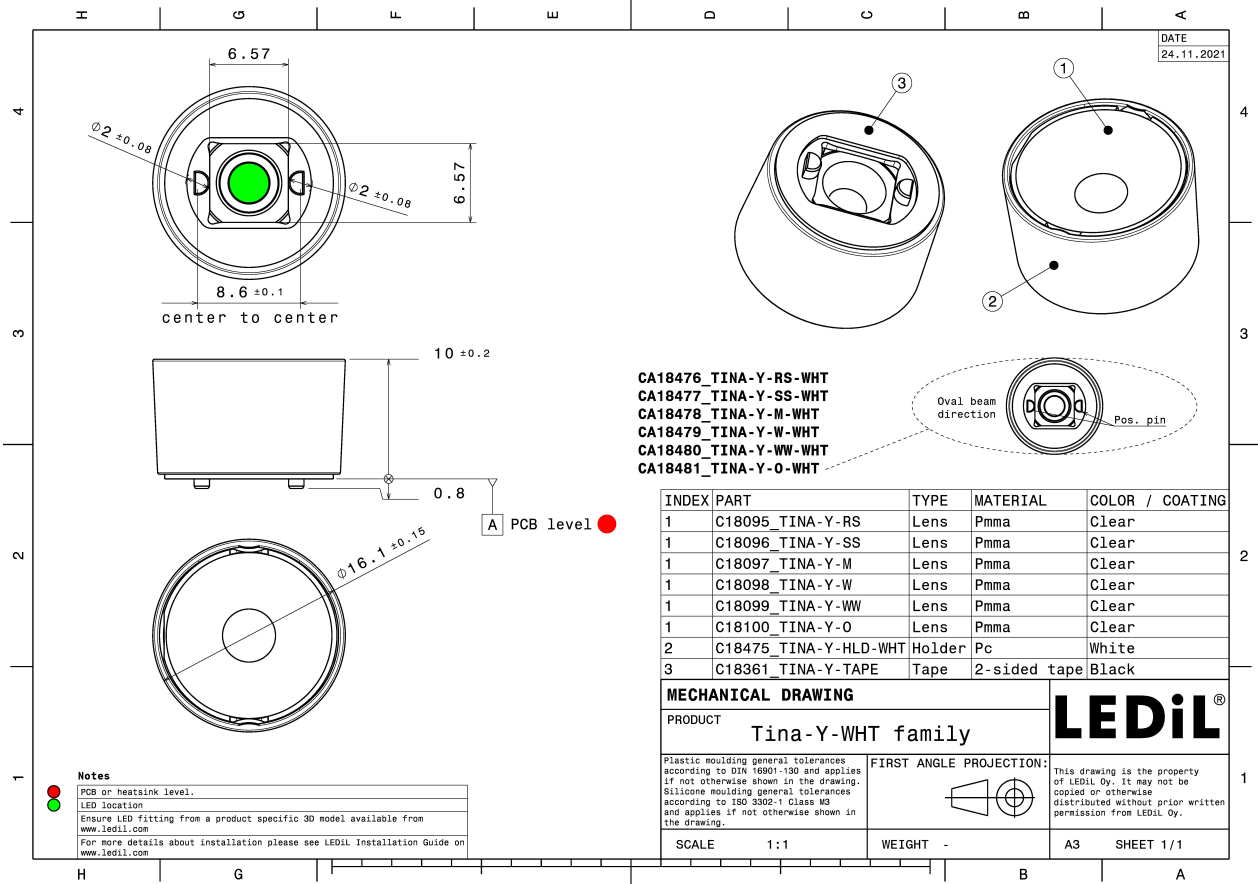
### MATERIAL SPECIFICATIONS:

Component	Type	Material	Colour	Finish
TINA-Y-W	Single lens	PMMA	clear	gloss
TINA-Y-HLD-WHT	Holder	PC	white	
TINA-Y-TAPE	Tape	Acrylic foam		



### ORDERING INFORMATION:

Component	Qty in box	MOQ	MPQ	Box weight (kg)
CA18479_TINA-Y-W-WHT » Box size: 476 x 273 x 197 mm	3900	300	300	6.0



See also our general installation guide: [www.ledil.com/installation\\_guide](http://www.ledil.com/installation_guide)

### PHOTOMETRIC DATA (MEASURED):

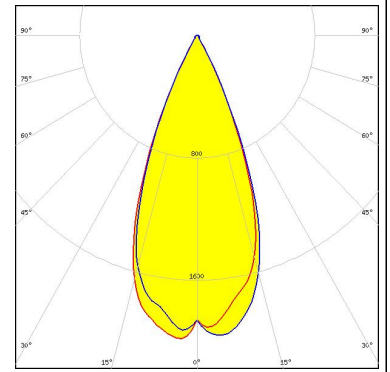
	
LED	XP-G3
FWHM / FWTM	36.0° / 58.0°
Efficiency	87 %
Peak intensity	2.1 cd/lm
LEDs/each optic	1
Light colour	White
Required components:	

### PHOTOMETRIC DATA (SIMULATED):

#### OSRAM

Opto Semiconductors

LED OSLON SSL 150  
FWHM / FWTM 43.0° / 58.0°  
Efficiency 95 %  
Peak intensity 2 cd/lm  
LEDs/each optic 1  
Light colour White  
Required components:



#### SAMSUNG

LED LH351B  
FWHM / FWTM 45.0° / 64.0°  
Efficiency 95 %  
Peak intensity 1.7 cd/lm  
LEDs/each optic 1  
Light colour White  
Required components:

