

## TINA-Y-O-WHT

~45° + 15° oval beam. Assembly with holder, installation tape and pins. White version

### TECHNICAL SPECIFICATIONS:

Dimensions	Ø 16.1 mm
Height	10 mm
Fastening	tape, pin
ROHS compliant	yes ⓘ

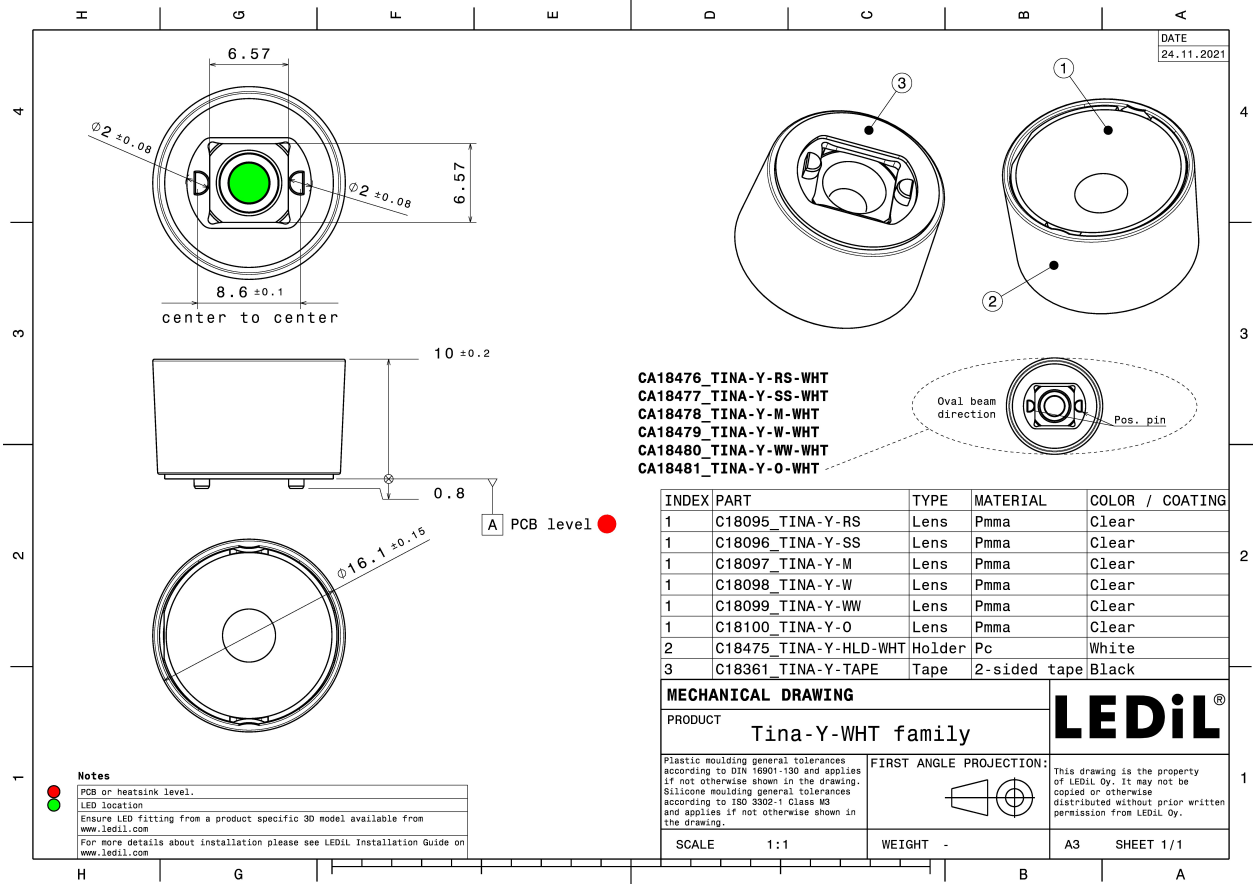
### MATERIAL SPECIFICATIONS:

Component	Type	Material	Colour	Finish
TINA-Y-O	Single lens	PMMA	clear	gloss
TINA-Y-HLD-WHT	Holder	PC	white	
TINA-Y-TAPE	Tape	Acrylic foam		

### ORDERING INFORMATION:

Component	Qty in box	MOQ	MPQ	Box weight (kg)
CA18481_TINA-Y-O-WHT » Box size: 476 x 273 x 197 mm	3900	300	300	6.5



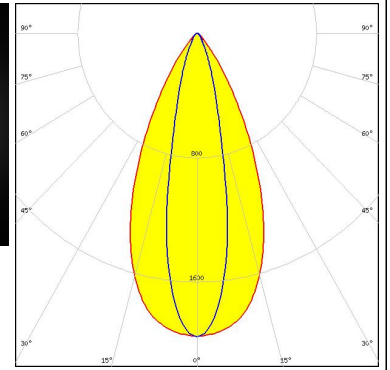
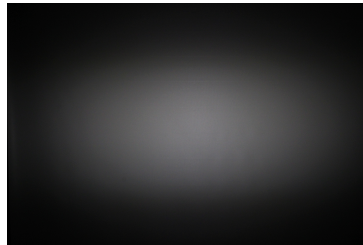


See also our general installation guide: [www.ledil.com/installation\\_guide](http://www.ledil.com/installation_guide)

#### PHOTOMETRIC DATA (MEASURED):



LED XP-G3  
FWHM / FWTM 49.0 + 23.0° / 78.0 + 48.0°  
Efficiency 82 %  
Peak intensity 2 cd/lm  
LEDs/each optic 1  
Light colour White  
Required components:

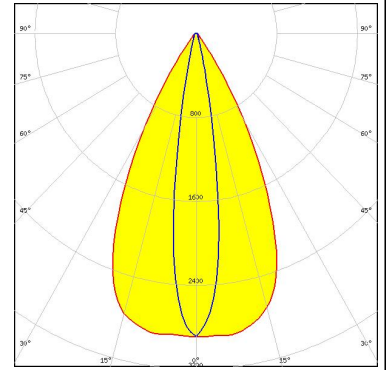


#### PHOTOMETRIC DATA (SIMULATED):

#### OSRAM

Opto Semiconductors

LED OSLOM SSL 150  
FWHM / FWTM 53.0 + 16.0° / 72.0 + 30.0°  
Efficiency 93 %  
Peak intensity 2.9 cd/lm  
LEDs/each optic 1  
Light colour White  
Required components:



#### SAMSUNG

LED LH351B  
FWHM / FWTM 50.0 + 22.0° / 76.0 + 42.0°  
Efficiency 92 %  
Peak intensity 2.3 cd/lm  
LEDs/each optic 1  
Light colour White  
Required components:

