

LEILA-Y-RS-WHT

~10° spot beam. 14.8 mm high assembly with holder, installation tape and pins. White version.

TECHNICAL SPECIFICATIONS:

Dimensions	Ø 21.6 mm
Height	14.8 mm
Fastening	tape, pin
ROHS compliant	yes ⓘ

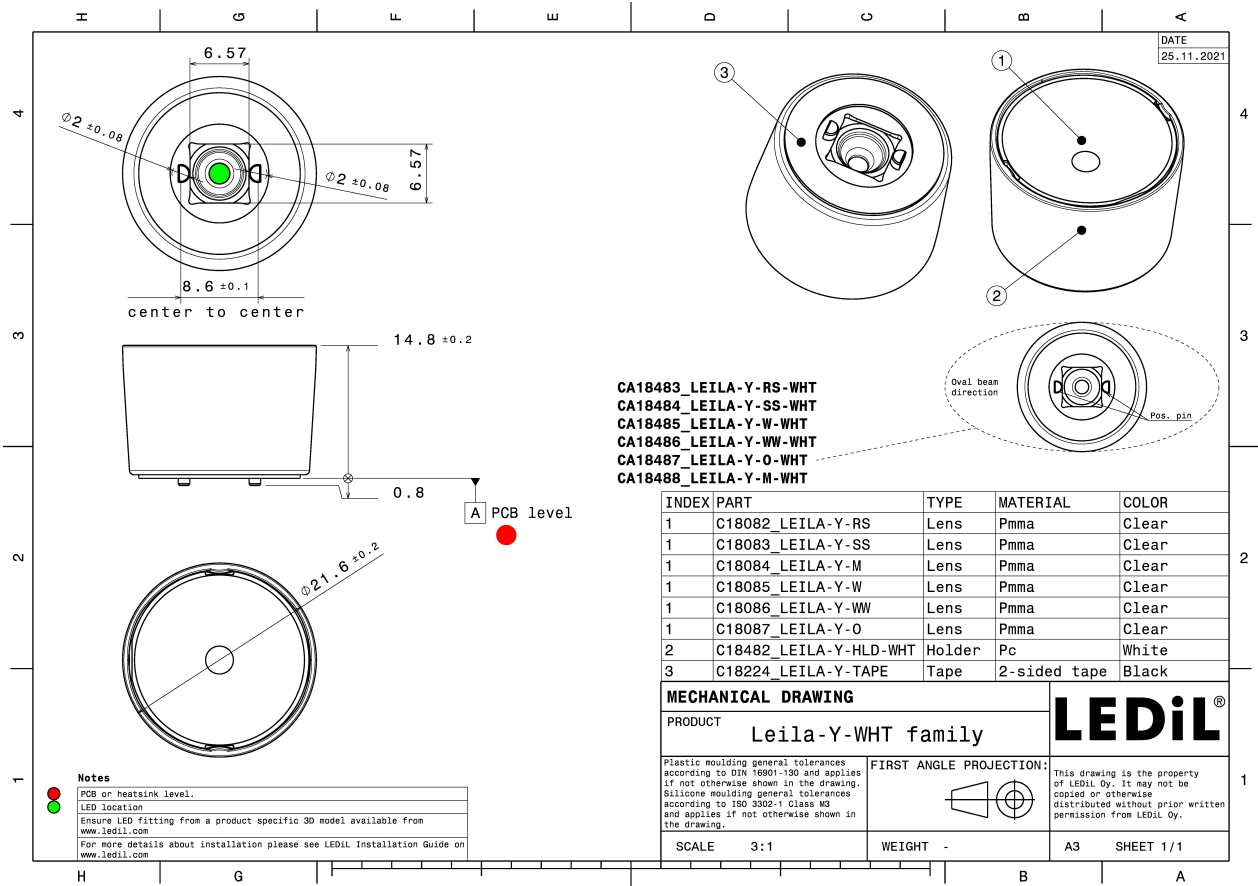
MATERIAL SPECIFICATIONS:

Component	Type	Material	Colour	Finish
LEILA-Y-RS	Single lens	PMMA	clear	gloss
LEILA-Y-HLD-WHT	Holder	PC	white	
LEILA-Y-TAPE	Tape	Acrylic foam		

ORDERING INFORMATION:

Component	Qty in box	MOQ	MPQ	Box weight (kg)
CA18483_LEILA-Y-RS-WHT » Box size: 476 x 273 x 197 mm	1800	180	180	7.6



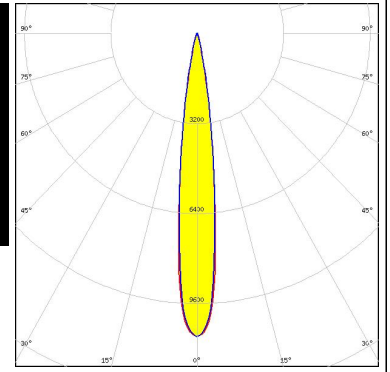


See also our general installation guide: www.ledil.com/installation_guide

PHOTOMETRIC DATA (MEASURED):



LED XP-G3
FWHM / FWTM 14.0° / 26.0°
Efficiency 87 %
Peak intensity 10.8 cd/lm
LEDs/each optic 1
Light colour White
Required components:



PHOTOMETRIC DATA (SIMULATED):



LED	NVSW219F
FWHM / FWTM	14.0° / 26.0°
Efficiency	91 %
Peak intensity	11.8 cd/lm
LEDs/each optic	1
Light colour	White
Required components:	

