

LEILA-Y-O-WHT

~45° + 15° oval beam. 14.8 mm high assembly with holder, installation tape and pins. White version

TECHNICAL SPECIFICATIONS:

Dimensions	Ø 21.6 mm
Height	14.8 mm
Fastening	tape, pin
ROHS compliant	yes ⓘ

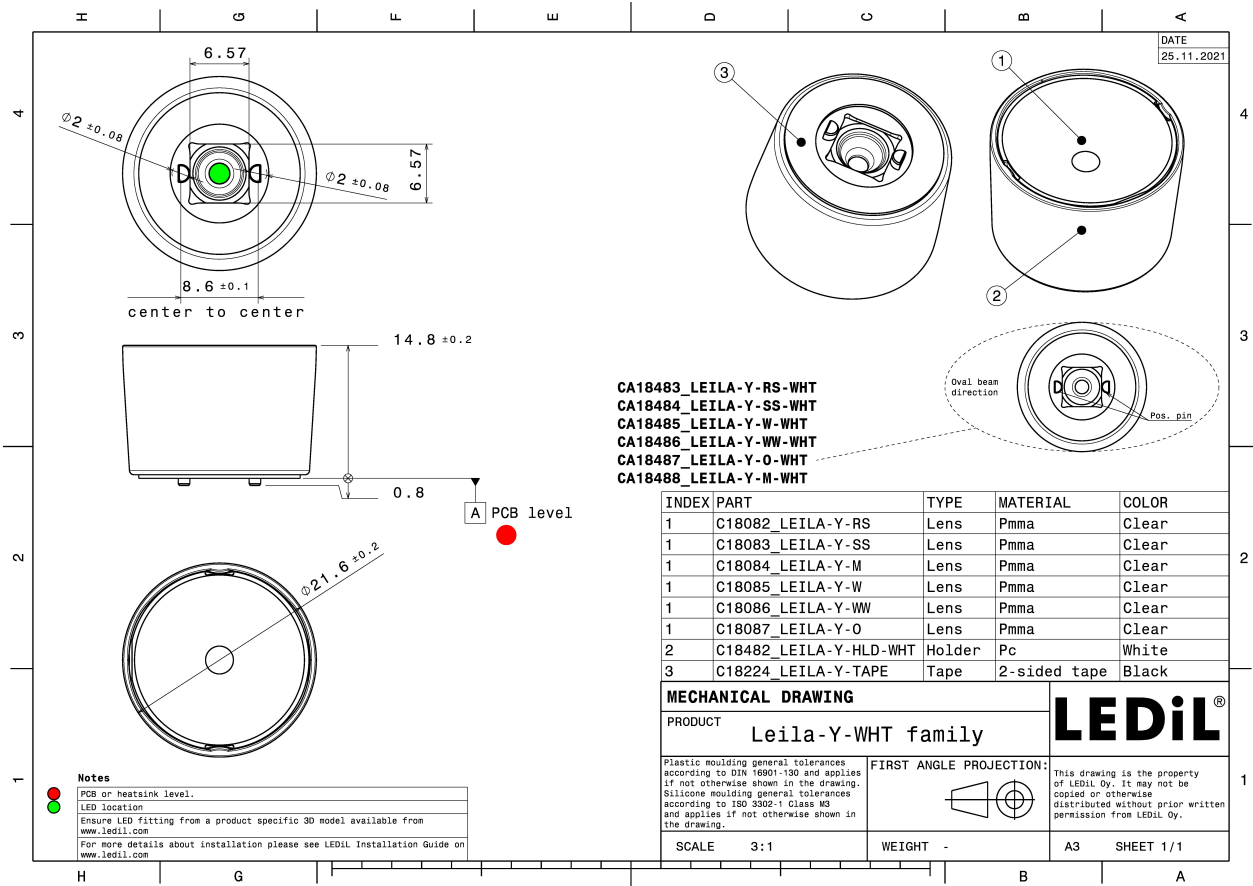


MATERIAL SPECIFICATIONS:

Component	Type	Material	Colour	Finish
LEILA-Y-O	Single lens	PMMA	clear	gloss
LEILA-Y-HLD-WHT	Holder	PC	white	
LEILA-Y-TAPE	Tape	Acrylic foam		

ORDERING INFORMATION:

Component	Qty in box	MOQ	MPQ	Box weight (kg)
CA18487_LEILA-Y-O-WHT » Box size: 476 x 273 x 197 mm	1800	180	180	7.7

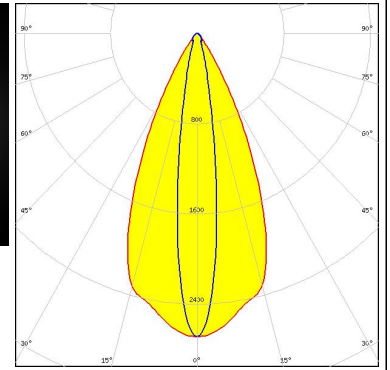


See also our general installation guide: www.ledil.com/installation_guide

PHOTOMETRIC DATA (MEASURED):



LED XP-G3
FWHM / FWTM 48.0 + 15.0° / 70.0 + 33.0°
Efficiency 83 %
Peak intensity 2.7 cd/lm
LEDs/each optic 1
Light colour White
Required components:



PHOTOMETRIC DATA (SIMULATED):

