

## LEILA-Y-M-HLD2

~25° medium beam. 14.8 mm high assembly with star-pcb holder, installation tape and pins.

### SPECIFICATION:

Dimensions	Ø 21.6 mm
Height	14.8 mm
Fastening	tape, pin
ROHS compliant	yes ⓘ

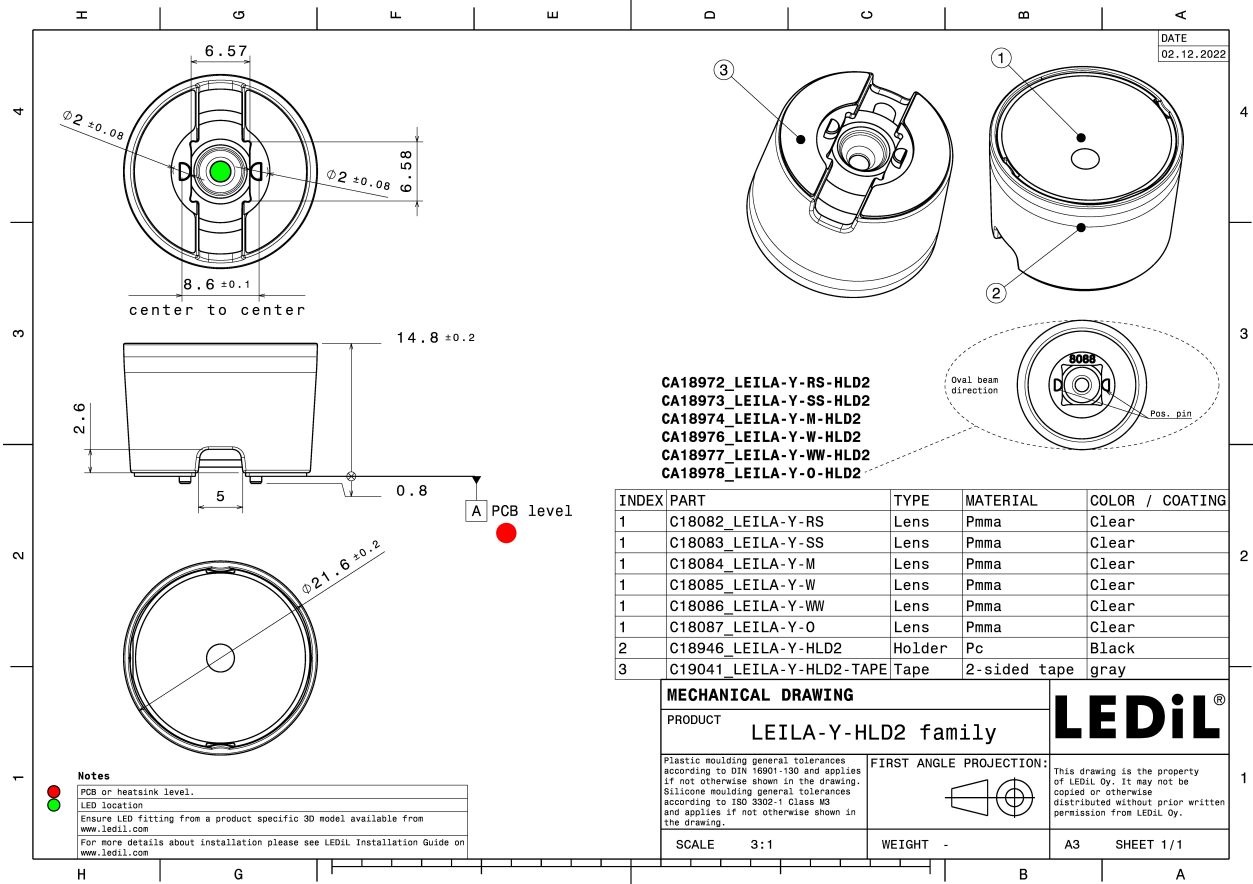


### MATERIALS:

Component	Type	Material	Colour	Finish
LEILA-Y-M	Single lens	PMMA	clear	
LEILA-Y-HLD2	Holder	PC	black	
LEILA-Y-HLD2-TAPE	Tape			

### ORDERING INFORMATION:

Component	Qty in box	MOQ	MPQ	Box weight (kg)
CA18974_LEILA-Y-M-HLD2 » Box size: 476 x 273 x 197 mm	1800	180	180	6.6



See also our general installation guide: [www.ledil.com/installation\\_guide](http://www.ledil.com/installation_guide)

### OPTICAL RESULTS (MEASURED):

**OSRAM**  
Opto Semiconductors

LED	OSLON Square CSSRM2/CSSRM3
FWHM / FWTM	20.0° / 35.0°
Efficiency	83 %
Peak intensity	6.2 cd/lm
LEDs/each optic	1
Light colour	White
Required components:	

