

## LEILA-Y-RS-HLD2-WHT

~10° spot beam. 14.8 mm high assembly with star-pcb holder, installation tape and pins. White version.

### SPECIFICATION:

Dimensions	Ø 21.6 mm
Height	14.8 mm
Fastening	tape, pin
ROHS compliant	yes ⓘ

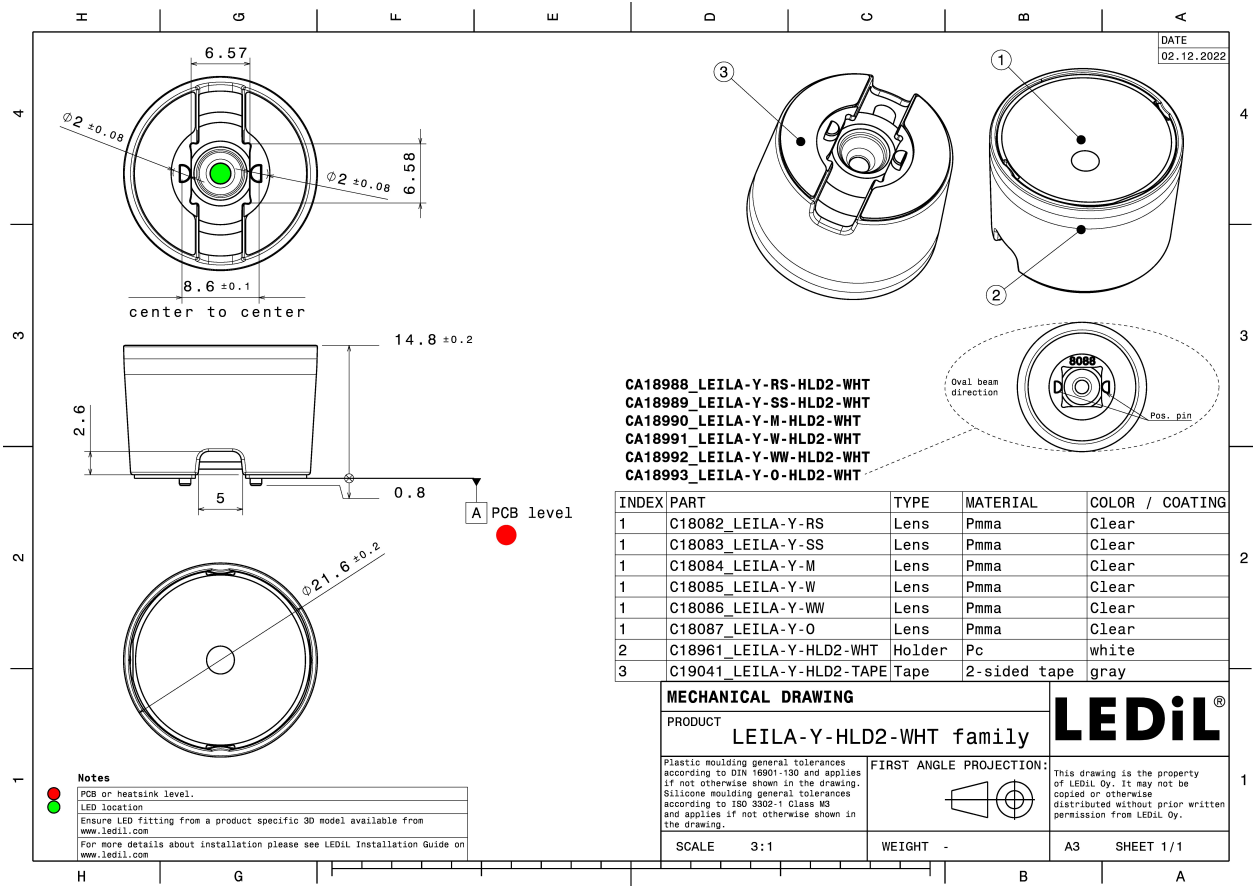


### MATERIALS:

Component	Type	Material	Colour	Finish
LEILA-Y-RS	Single lens	PMMA	clear	gloss
LEILA-Y-HLD2-WHT	Holder	PC	white	
LEILA-Y-HLD2-TAPE	Tape			

### ORDERING INFORMATION:

Component	Qty in box	MOQ	MPQ	Box weight (kg)
CA18988_LEILA-Y-RS-HLD2-WHT » Box size: 476 x 273 x 197 mm	1800	180	180	7.4



See also our general installation guide: [www.ledil.com/installation\\_guide](http://www.ledil.com/installation_guide)

#### OPTICAL RESULTS (MEASURED):

**OSRAM**  
Opto Semiconductors

LED	OSLON Square CSSRM2/CSSRM3
FWHM / FWTM	11.0° / 20.0°
Efficiency	94 %
Peak intensity	18.2 cd/lm
LEDs/each optic	1
Light colour	White
Required components:	

