

LEILA-Y-SS-HLD2-WHT

~14° smooth spot beam. 14.8 mm high assembly with star-pcb holder, installation tape and pins. White version.

SPECIFICATION:

Dimensions	Ø 21.6 mm
Height	14.8 mm
Fastening	tape, pin
ROHS compliant	yes ⓘ

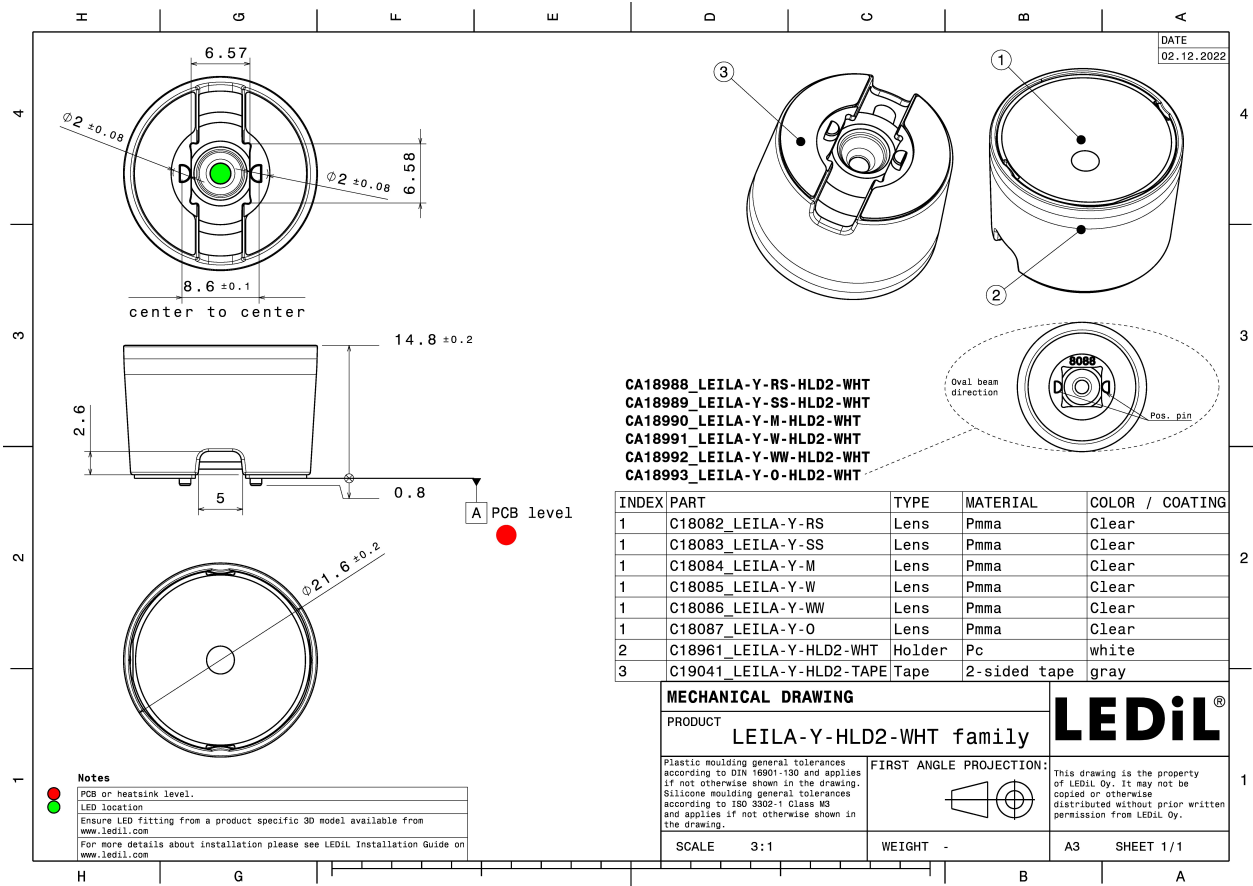


MATERIALS:

Component	Type	Material	Colour	Finish
LEILA-Y-SS	Single lens	PMMA	clear	gloss
LEILA-Y-HLD2-WHT	Holder	PC	white	
LEILA-Y-HLD2-TAPE	Tape			

ORDERING INFORMATION:

Component	Qty in box	MOQ	MPQ	Box weight (kg)
CA18989_LEILA-Y-SS-HLD2-WHT » Box size: 476 x 273 x 197 mm	1800	180	180	7.2



See also our general installation guide: www.ledil.com/installation_guide

OPTICAL RESULTS (MEASURED):

OSRAM

Opto Semiconductors

LED	OSLON Square CSSRM2/CSSRM3
FWHM / FWTM	12.0° / 23.0°
Efficiency	93 %
Peak intensity	14.7 cd/lm
LEDs/each optic	1
Light colour	White
Required components:	

