

CA5420A

0.5MHz, Low Supply Voltage, Low Input Current BiMOS Operational Amplifiers

FN1925
Rev 9.00
February 11, 2015

The CA5420A is an integrated circuit operational amplifier that combines PMOS transistors and bipolar transistors on a single monolithic chip. It is designed and guaranteed to operate in microprocessor logic systems that use $V+ = 5V$, $V- = GND$, since it can operate down to $\pm 1V$ supplies. It will also be suitable for 3.3V logic systems.

The CA5420A BiMOS operational amplifier features gate-protected PMOS transistors in the input circuit to provide very high input impedance, very low input currents (less than 1pA). The internal bootstrapping network features a unique guardbanding technique for reducing the doubling of leakage current for every $+10^{\circ}C$ increase in temperature. The CA5420A operates at total supply voltages from 2V to 20V either single or dual supply. This operational amplifier is internally phase compensated to achieve stable operation in the unity gain follower configuration. Additionally, it has access terminals for a supplementary external capacitor if additional frequency roll-off is desired. Terminals are also provided for use in applications requiring input offset voltage nulling. The use of PMOS in the input stage results in common-mode input voltage capability down to 0.45V below the negative supply terminal, an important attribute for single supply application. The output stage uses a feedback OTA type amplifier that can swing essentially from rail-to-rail. The output driving current of 1.0mA (Min) is provided by using nonlinear current mirrors.

This device has guaranteed specifications for 5V operation over the full military temperature range of $-55^{\circ}C$ to $+125^{\circ}C$.

The CA5420A has the same 8 lead pinout used for the industry standard 741.

Features

- CA5420A at 5V supply voltage with full military temperature range guaranteed specifications
- CA5420A guaranteed to operate from $\pm 1V$ to $\pm 10V$ supplies
- 2V supply at 350 μA supply current
- 1pA (Typ) input current (essentially constant to $+85^{\circ}C$)
- Rail-to-rail output swing (Drive $\pm 2mA$ into 1k Ω load)
- Pin compatible with 741 op amp
- Pb-free (RoHS compliant)

Applications

- pH probe amplifiers
- Picoammeters
- Electrometer (High Z) instruments
- Portable equipment
- Inaccessible field equipment
- Battery dependent equipment (medical and military)
- 5V logic systems
- Microprocessor interface

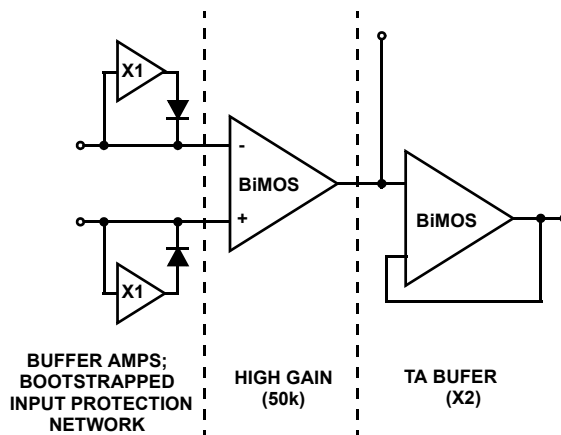


FIGURE 1. FUNCTIONAL DIAGRAM

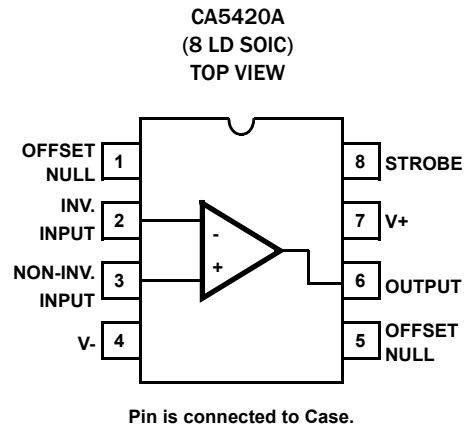
Ordering Information

PART NUMBER (Notes 1, 2, 3)	PART MARKING	TEMP. RANGE (°C)	PACKAGE (RoHS Compliant)	PKG. DWG. #
CA5420AMZ	5420 AMZ	-55 to +125	8 Ld SOIC	M8.15

NOTES:

1. Add "96" suffix for Tape and Reel. Please refer to [TB347](#) for details on reel specifications.
2. These Intersil Pb-free plastic packaged products employ special Pb-free material sets, molding compounds/die attach materials, and 100% matte tin plate plus anneal (e3 termination finish, which is RoHS compliant and compatible with both SnPb and Pb-free soldering operations). Intersil Pb-free products are MSL classified at Pb-free peak reflow temperatures that meet or exceed the Pb-free requirements of IPC/JEDEC J STD-020.
3. For Moisture Sensitivity Level (MSL), please see product information page for [CA5420A](#). For more information on MSL please see techbrief [TB363](#).

Pin Configuration



Absolute Maximum Ratings

Supply Voltage (Between V+ and V- Terminals)	22V
Differential Input Voltage	15V
Input Voltage	(V+ + 8V) to (V- - 0.5V)
Input Current	1mA
Output Short Circuit Duration (Note 4)	Indefinite
Temperature Range	-55°C to +125°C

Thermal Information

Thermal Resistance (Typical, Note 5)	θ_{JA} (°C/W)	θ_{JC} (°C/W)
SOIC Package	157	N/A
Maximum Junction Temperature (Plastic Package)	+150°C	
Maximum Storage Temperature Range (All Types)	-65°C to +150°C	
Pb-Free Reflow Profile	see TB493	

CAUTION: Do not operate at or near the maximum ratings listed for extended periods of time. Exposure to such conditions may adversely impact product reliability and result in failures not covered by warranty.

NOTES:

- Short circuit may be applied to ground or to either supply.
- θ_{JA} is measured with the component mounted on a high effective thermal conductivity test board in free air. See Tech Brief [TB379](#) for details.

Electrical Specifications

Typical Values Intended Only for Design Guidance. V+ = +5V; V- = GND, T_A = +25°C

PARAMETER		SYMBOL	TEST CONDITIONS	CA5420A	UNITS
Input Resistance		R _I		150	Ω
Input Capacitance		C _I		4.9	pF
Output Resistance		R _O		300	Ω
Equivalent Input Noise Voltage		e _N	f = 1kHz	62	nV/√Hz
			f = 10kHz	38	nV/√Hz
Short-Circuit Current To Opposite Supply	Source	I _{OM+}		2.6	mA
	Sink	I _{OM-}		2.4	mA
Gain Bandwidth Product		f _T		0.5	MHz
Slew Rate		SR		0.5	V/μs
Transient Response	Rise Time	t _r	R _L = 2kΩ, C _L = 100pF	0.7	μs
	Overshoot	OS		15	%
Current from Terminal 8 To V-		I _{g+}		20	μA
Current from Terminal 8 To V+		I _{g-}		2	mA
Settling Time	0.01%	A _V = 1	2V _{p,p} Input	8	μs
	0.10%	A _V = 1	2V _{p,p} Input	4.5	μs

Electrical Specifications

T_A = +25°C, V+ = 5V, V- = 0, Unless Otherwise Specified.

PARAMETER	SYMBOL	TEST CONDITIONS	CA5420A			UNITS
			MIN (Note 6)	TYP	MAX (Note 6)	
Input Offset Voltage	V _{IO}	V _O = 2.5V		1	5	mV
Input Offset Current	I _{IO}	V _O = 2.5V		0.02	4	pA
Input Current	I _I	V _O = 2.5V		0.02	5	pA
Common Mode Rejection Ratio	CMRR	V _{CM} = 0 to 3.7V, V _O = 2.5V	75	83		dB
Common Mode Input Voltage Range	V _{ICR+}	V _O = 2.5V	3.7	4		V
	V _{ICR-}			-0.3	0	V
Power Supply Rejection Ratio	PSRR	ΔV+ = 1V; ΔV- = 1V	70	83		dB
Large Signal Voltage Gain V _O = 0.5 to 4V	A _{OL}	R _L = ∞	85	87		dB
		R _L = 10kΩ	85	87		dB
		R _L = 2kΩ	70	85		dB
Source Current	I _{SOURCE}	V _O = 0V	1.2	2.7		mA

Electrical Specifications $T_A = +25^\circ\text{C}$, $V_+ = 5\text{V}$, $V_- = 0$, Unless Otherwise Specified. (Continued)

PARAMETER	SYMBOL	TEST CONDITIONS	CA5420A			UNITS
			MIN (Note 6)	TYP	MAX (Note 6)	
Sink Current	I_{SINK}	$V_O = 5\text{V}$	1.2	2.1		mA
Output Voltage	$V_{\text{OM}+}$	$R_L = \infty$	4.85	4.94		V
	$V_{\text{OM}-}$			0.13	0.15	V
	$V_{\text{OM}+}$	$R_L = 10\text{k}\Omega$	4.7	4.9		V
	$V_{\text{OM}-}$			0.12	0.15	V
	$V_{\text{OM}+}$	$R_L = 2\text{k}\Omega$	3.5	4.6		V
	$V_{\text{OM}-}$			0.1	0.15	V
Supply Current	I_{SUPPLY}	$V_O = 0\text{V}$		400	550	μA
		$V_O = 2.5\text{V}$		430	600	μA

Electrical Specifications $T_A = -55^\circ\text{C}$ to $+125^\circ\text{C}$, $V_+ = 5\text{V}$, $V_- = 0$, Unless Otherwise Specified. **Boldface limits apply across the operating temperature range, -55°C to $+125^\circ\text{C}$.**

PARAMETER	SYMBOL	TEST CONDITIONS	CA5420A			UNITS
			MIN (Note 6)	TYP	MAX (Note 6)	
Input Offset Voltage	V_{IO}	$V_O = 2.5\text{V}$		2	10	mV
Input Offset Current Up to $T_A = +85^\circ\text{C}$	I_{IO}	$V_O = 2.5\text{V}$		1.5	3	nA
				2	10	μA
Input Current Up to $T_A = +85^\circ\text{C}$	$ I_{\text{I}} $	$V_O = 2.5\text{V}$		2	5	nA
				10	15	μA
Common Mode Rejection Ratio	CMRR	$V_{\text{CM}} = 0$ to 3.7V , $V_O = 2.5\text{V}$	70	80		dB
Common Mode Input Voltage Range	$V_{\text{ICR}+}$	$V_O = 2.5\text{V}$	3.7	4		V
	$V_{\text{ICR}-}$			-0.3	0	V
Power Supply Rejection Ratio	PSRR	$\Delta V_+ = 1\text{V}$; $\Delta V_- = 1\text{V}$	70	83		dB
Large Signal Voltage Gain $V_O = 0.5$ to 4V $V_O = 0.7$ to 4V $V_O = 0.7$ to 2.5V	A_{OL}	$R_L = \infty$	65	75		dB
		$R_L = 10\text{k}\Omega$	80	87		dB
		$R_L = 2\text{k}\Omega$	70	80		dB
Source Current	I_{SOURCE}	$V_O = 0\text{V}$	1	2.7		mA
Sink Current	I_{SINK}	$V_O = 5\text{V}$	1	2.1		mA
Output Voltage	$V_{\text{OM}+}$	$R_L = \infty$	4.8	4.9		V
	$V_{\text{OM}-}$			0.16	0.2	V
	$V_{\text{OM}+}$	$R_L = 10\text{k}\Omega$	4.7	4.9		V
	$V_{\text{OM}-}$			0.15	0.2	V
	$V_{\text{OM}+}$	$R_L = 2\text{k}\Omega$	3	4		V
	$V_{\text{OM}-}$			0.14	0.2	V
Supply Current	I_{SUPPLY}	$V_O = 0\text{V}$		430	600	μA
		$V_O = 2.5\text{V}$		480	650	μA

Electrical Specifications For Equipment Design at $V_{\text{SUPPLY}} = \pm 1\text{V}$, $T_A = +25^\circ\text{C}$, Unless Otherwise Specified.

PARAMETER	SYMBOL	TEST CONDITIONS	CA5420A			UNITS
			MIN (Note 6)	TYP	MAX (Note 6)	
Input Offset Voltage	V_{IO}			2	5	mV
Input Offset Current	$ I_{\text{IO}} $			0.01	4	pA
Input Current	$ I_{\text{I}} $			0.02	5	pA
Large Signal Voltage Gain	A_{OL}	$R_{\text{L}} = 10\text{k}\Omega$	10	100		kV/V
			80	100		dB
Common Mode Rejection Ratio	CMRR			560		$\mu\text{V}/\text{V}$
			50	65		dB
Common Mode Input Voltage Range	V_{ICR^+}		0.2	0.5		V
	V_{ICR^-}		-1	-1.3		V
Power Supply Rejection Ratio	PSRR			32	425	$\mu\text{V}/\text{V}$
			70	90		dB
Maximum Output Voltage	V_{OM^+}	$R_{\text{L}} = \infty$	0.9	0.95		V
	V_{OM^-}		-0.85	-0.91		V
Supply Current	I_{SUPPLY}			350	650	μA
Device Dissipation	P_{D}			0.7	1.1	mW
Input Offset Voltage Temperature Drift	$\Delta V_{\text{IO}}/\Delta T$			4		$\mu\text{V}/^\circ\text{C}$

Electrical Specifications For Equipment Design at $V_{\text{SUPPLY}} = \pm 10\text{V}$, $T_A = +25^\circ\text{C}$, Unless Otherwise Specified.

PARAMETER	SYMBOL	TEST CONDITIONS	CA5420A			UNITS
			MIN (Note 6)	TYP	MAX (Note 6)	
Input Offset Voltage	V_{IO}			2	5	mV
Input Offset Current	$ I_{\text{IO}} $			0.03	4	pA
Input Current	$ I_{\text{I}} $			0.05	5	pA
Large Signal Voltage Gain	A_{OL}	$R_{\text{L}} = 10\text{k}\Omega$	20	100		kV/V
			80	100		dB
Common Mode Rejection Ratio	CMRR			100	320	$\mu\text{V}/\text{V}$
			70	80		dB
Common Mode Input Voltage Range	V_{ICR^+}		9	9.3		V
	V_{ICR^-}		-10	-10.3		V
Power Supply Rejection Ratio	PSRR			32	320	$\mu\text{V}/\text{V}$
			70	90		dB
Maximum Output Voltage	V_{OM^+}	$R_{\text{L}} = \infty$	9.7	9.9		V
	V_{OM^-}		-9.7	-9.85		V
Supply Current	I_{SUPPLY}			450	1000	μA
Device Dissipation	P_{D}			9	14	mW
Input Offset Voltage Temperature Drift	$\Delta V_{\text{IO}}/\Delta T$			4		$\mu\text{V}/^\circ\text{C}$

NOTE:

6. Compliance to datasheet limits is assured by one or more methods: production test, characterization and/or design.

Typical Applications

Picoammeter Circuit

The exceptionally low input current (typically 0.2pA) makes the CA5420A highly suited for use in a picoammeter circuit. With only a single 10GΩ resistor, this circuit covers the range from ±1.5pA. Higher current ranges are possible with suitable switching techniques and current scaling resistors. Input transient protection is provided by the 1MΩ resistor in series with the input. Higher current ranges require that this resistor be reduced. The 10MΩ resistor connected to pin 2 of the CA5420A decouples the potentially high input capacitance often associated with lower current circuits and reduces the tendency for the circuit to oscillate under these conditions.

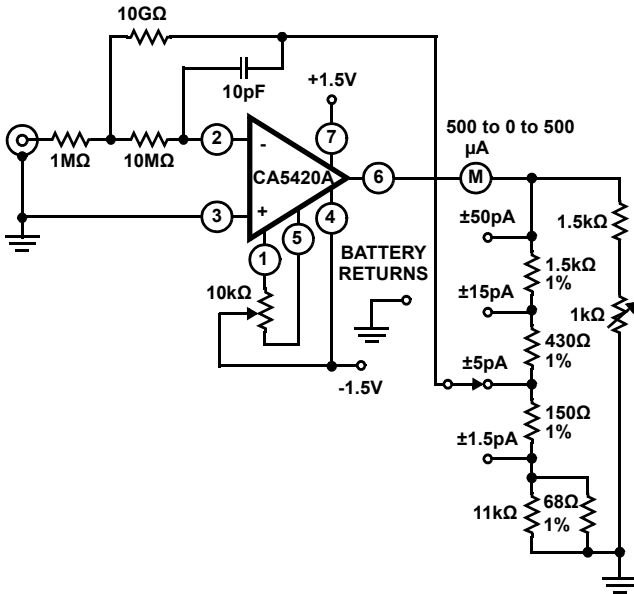


FIGURE 2. PICOAMMETER CIRCUIT

High Input Resistance Voltmeter

Advantage is taken of the high input impedance of the CA5420A in a high input resistance DC voltmeter. Only two 1.5V "AA" type penlite batteries power this exceedingly high-input resistance (>1,000,000MΩ) DC voltmeter. Full-scale deflection is ±500mV, ±150mV, and ±15mV. Higher voltage ranges are easily added with external input voltage attenuator networks.

The meter is placed in series with the gain network, thus eliminating the meter temperature coefficient error term.

Supply current in the standby position with the meter undeflected is 300μA. At full-scale deflection this current rises to 800μA. Carbon-zinc battery life should be in excess of 1,000 hours.

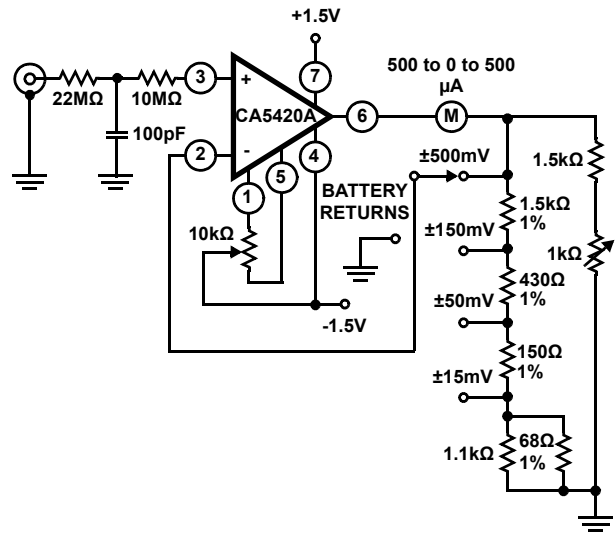


FIGURE 3. HIGH INPUT RESISTANCE VOLTMETER

Typical Performance Curves

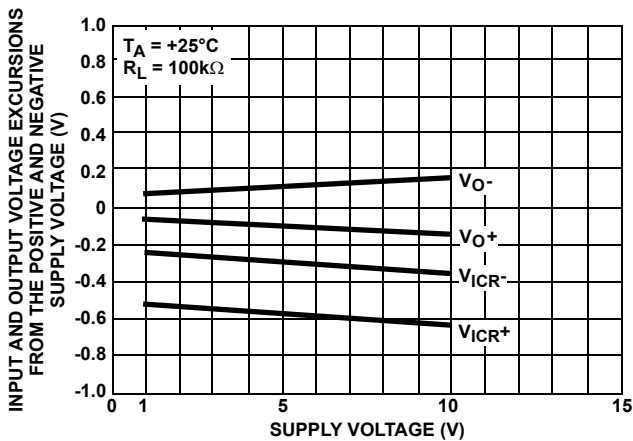


FIGURE 4. OUTPUT VOLTAGE SWING AND COMMON MODE INPUT VOLTAGE RANGE vs SUPPLY VOLTAGE

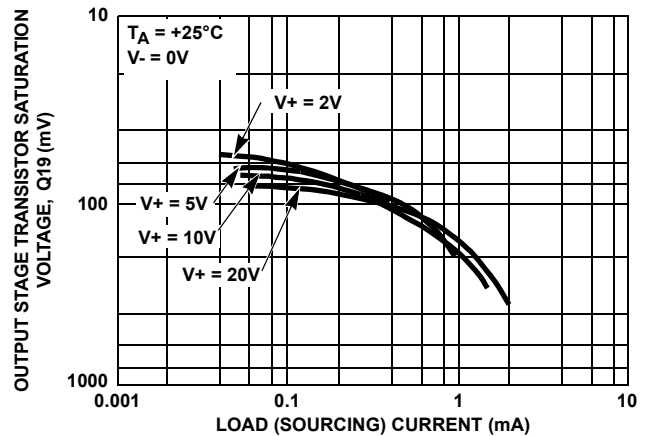


FIGURE 5. OUTPUT VOLTAGE vs LOAD SOURCING CURRENT

Typical Performance Curves (Continued)

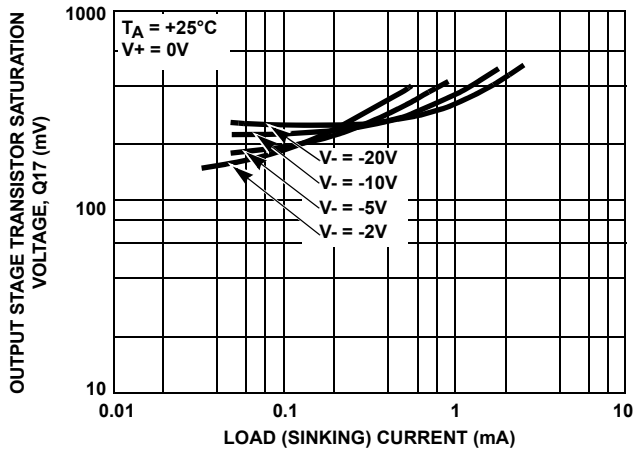


FIGURE 6. OUTPUT VOLTAGE vs LOAD SINKING CURRENT

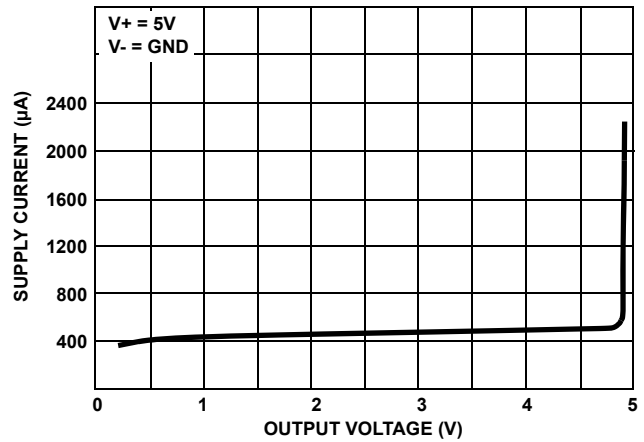


FIGURE 7. SUPPLY CURRENT vs OUTPUT VOLTAGE

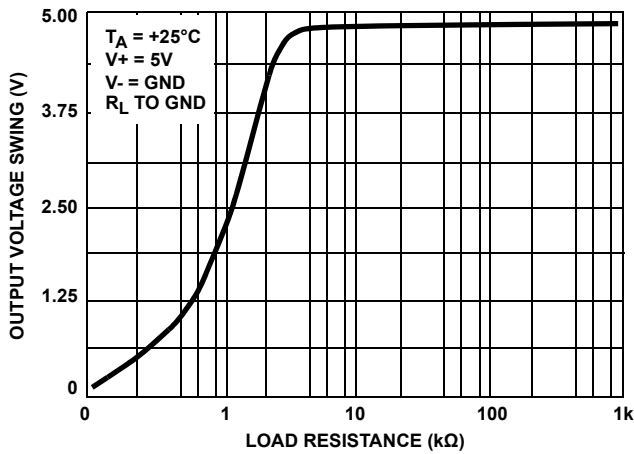


FIGURE 8. OUTPUT VOLTAGE SWING vs LOAD RESISTANCE

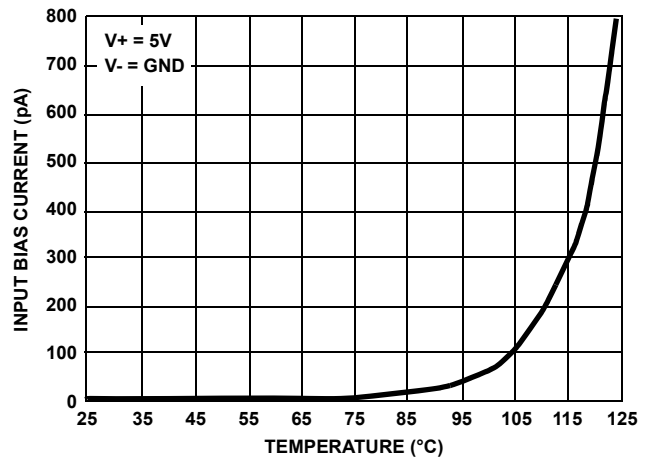


FIGURE 9. INPUT BIAS CURRENT DRIFT ($\Delta I_B/\Delta T$)

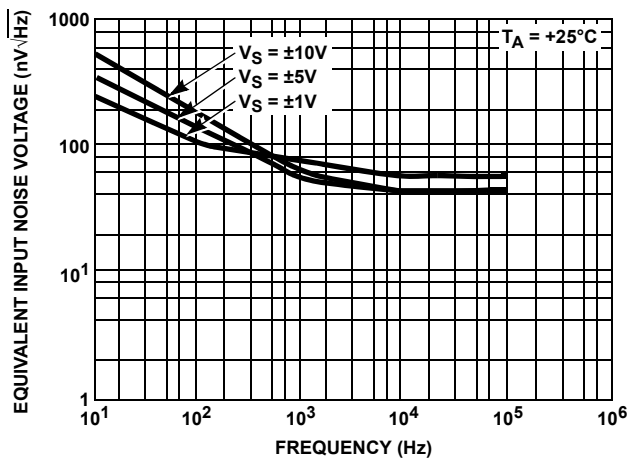


FIGURE 10. INPUT NOISE VOLTAGE vs FREQUENCY

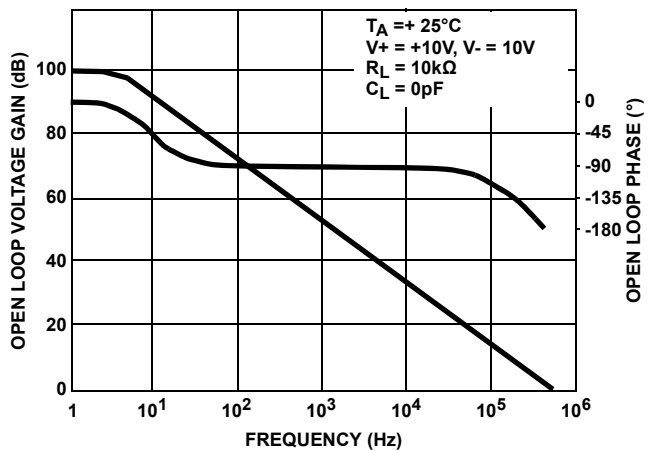


FIGURE 11. OPEN LOOP GAIN AND PHASE SHIFT RESPONSE

Revision History

The revision history provided is for informational purposes only and is believed to be accurate, but not warranted. Please go to web to make sure you have the latest revision.

DATE	REVISION	CHANGE
February 11, 2015	FN1925.9	Electrical Specifications Table: On page 3, Large signal voltage gain $V_o = 0.7$ to 3V Min limit changed from 80 to 70, and page 4 Large signal voltage gain $V_o = 0.7$ to 2.5V Min limit changed from 75 to 70.
September 25, 2013	FN1925.8	Page 5 - Changed CMRR limits for $\pm 1V$ spec table from 60dB to 50dB Page 9 - Updated POD to rev 4. Changes from rev 3: Changed Note 1 "1982" to "1994".
July 8, 2011	FN1925.7	page 1 Features: Change "2V Supply at 300 μ A....." to "2V Supply at 350 μ A....." page 3 Updated Thermal Resistance note for package. page 3 Electrical Spec Table, $V_+ = 5V$, $V_- = 0V$ (lower table): change PSRR min from 75dB to 70dB. page 4 Electrical Spec Table, $V_+ = 5V$, $V_- = 0V$ (upper table) Change Supply Current $V_o = 0V$ Max from 500 μ A to 550 μ A, and $V_o = 2.5V$ change max from 550 μ A to 600 μ A. page 4 Electrical Spec Table, $T_A = -55$ to $+125$ $V_+ = 5V$, $V_- = 0V$ (lower table) change Supply Current $V_o = 0V$ Max from 550 μ A to 600 μ A, change $V_o = 2.5V$ max from 600 μ A to 650 μ A. page 5 Electrical Spec Table $V_{supply} = +/ -1V$ (upper table) Common Mode Rejection Ratio, delete 1000uV/V MAX spec and leave only a typ spec. PSRR change 320uV/V max to 425 μ V/V max. page 9 POD M8.15 Updated to new POD format by removing table and moving dimensions onto drawing and adding land pattern. Changed in Typical Recommended Land Pattern the following: 2.41(0.095) to 2.20(0.087) 0.76 (0.030) to 0.60(0.023) 0.200 to 5.20(0.205)
December 08, 2009	FN1925.6	Electrical Specifications Table; $T_A = 25^\circ C$, $V_+ = 5V$, $V_- = 0V$; Change Input Offset Current Max from 0.5pA to 4pA P3, same table as above; Input Current Max from 1pA to 5pA. P4: same table as above; Output Voltage V_{OM+} : Minimum spec for $R_L = \text{Infinity}$ from 4.9V to 4.85V P5: In $V_{supply} = +/ -1V$, Large Signal Voltage Gain spec : Min from 20kV/V to 10kV/V and from 86dB to 80dB P4; Large Signal Voltage Gain $R_L = \text{inf}$; change min to 65dB and typ to 75dB (was 85dB Min and 87dB Typ) Updated Pb-free bullet in Features and Pb-free note in Ordering Information based on lead finish. Added TB347 link to ordering information for reel specifications. Added MSL link to Order Info Updated Caution statement in Abs Max per legal's new verbiage. Added Pb-Free Reflow link to Thermal Info Added POD to last page Added standard Over Temp note to applicable elec spec tables Corrected Input Offset Current Max from 0.4pA to 4pA
December 21, 2005	FN1925.5	Added redline release FGs to ordering information table.
September 1998	FN1925.4	Initial Release

About Intersil

Intersil Corporation is a leading provider of innovative power management and precision analog solutions. The company's products address some of the largest markets within the industrial and infrastructure, mobile computing and high-end consumer markets.

For the most updated datasheet, application notes, related documentation and related parts, please see the respective product information page found at www.intersil.com.

You may report errors or suggestions for improving this datasheet by visiting www.intersil.com/ask.

Reliability reports are also available from our website at www.intersil.com/support

© Copyright Intersil Americas LLC 2002-2015. All Rights Reserved.

All trademarks and registered trademarks are the property of their respective owners.

For additional products, see www.intersil.com/en/products.html

Intersil products are manufactured, assembled and tested utilizing ISO9001 quality systems as noted in the quality certifications found at www.intersil.com/en/support/qualandreliability.html

Intersil products are sold by description only. Intersil may modify the circuit design and/or specifications of products at any time without notice, provided that such modification does not, in Intersil's sole judgment, affect the form, fit or function of the product. Accordingly, the reader is cautioned to verify that datasheets are current before placing orders. Information furnished by Intersil is believed to be accurate and reliable. However, no responsibility is assumed by Intersil or its subsidiaries for its use; nor for any infringements of patents or other rights of third parties which may result from its use. No license is granted by implication or otherwise under any patent or patent rights of Intersil or its subsidiaries.

For information regarding Intersil Corporation and its products, see www.intersil.com